

Excellent Integrated System Limited

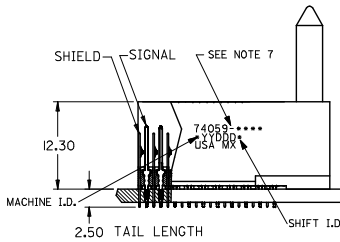
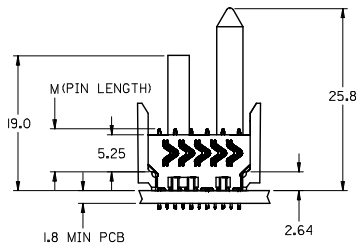
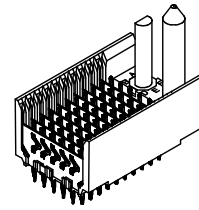
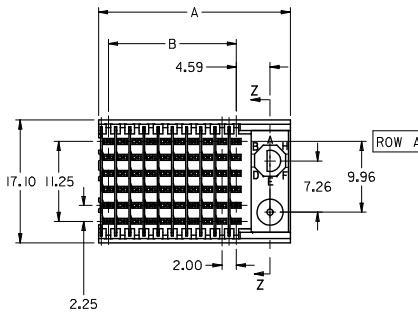
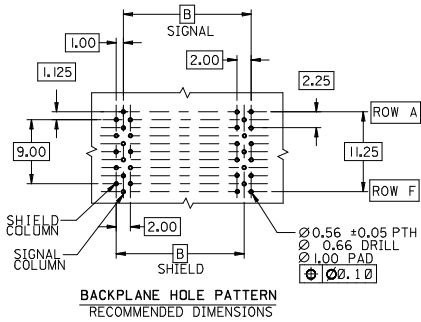
Stocking Distributor

Click to view price, real time Inventory, Delivery & Lifecycle Information:

[Molex Connector Corporation](#)
[0740598502](#)

For any questions, you can email us directly:

sales@integrated-circuit.com



NOTES:

1. MATERIALS:
HOUSING - LIQUID CRYSTAL POLYMER (LCP),
GLASS-FILLED, UL 94V-0, COLOR: BLACK
SIGNAL PIN & SHIELD - COPPER ALLOY
2. FINISHES:
CONTACT AREA: SELECTIVE GOLD (Au)
PCB TAILS: SELECTIVE MATTE TIN (Sn)
NICKEL (Ni) OVERALL.
3. THIS PART CONFORMS TO MOLEX PRODUCT SPECIFICATION PS-74031-999
4. FOR MIXED CONTACT LENGTHS CONSULT MOLEX FOR AVAILABILITY
5. FOR SPECIFIC MATERIAL NUMBERS & MATING INFORMATION REFER TO SHEET 2 AND 3
6. PACKAGE PER PK-74058-003
7. MARK PART WITH PART NUMBER & DATE CODE APPROXIMATELY WHERE SHOWN
8. MAPS (MOLEX ADVANCED PLATING SYSTEM).

THE PRIMARY CARTON WITH A LABEL STATING "ELV AND RoHS COMPLAINT" IS LEAD FREE. CARTONS WITHOUT THIS LABEL MAY CONTAIN LEAD.

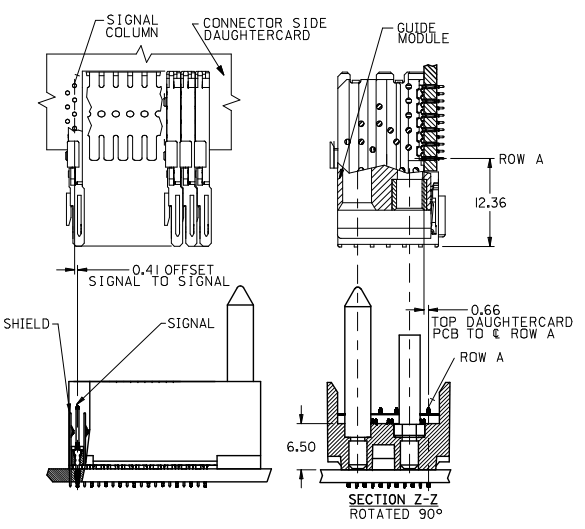
LEAD FREE CONVERSION EC NO: UCP2015-0687 DRAWING: 2012/08/21 CHK: KMILFE 2012/11/21 APPR: SMILLER 2012/12/14 O REV	QUALITY SYMBOLS ∇=0 ∇=0 ∇=0	GENERAL TOLERANCES (UNLESS SPECIFIED)		DIMENSION STYLE MM ONLY		SCALE 2.5:1	DESIGN UNITS METRIC	THIRD ANGLE PROJECTION	
		4 PLACES ± --- ± --- 3 PLACES ± --- ± --- 2 PLACES ± 0.10 ± --- 1 PLACE ± 0.25 ± --- 0 PLACE ± ±		DRAWN BY: JMELTON DATE: 2010/05/20 CHECKED BY: SDANNELLEY DATE: 2010/05/20 APPROVED BY: SMILLER DATE: 2010/07/14		TITLE VHDM 6 ROW SHIELD END BACKPLANE SALES DRAWING molex			
		ANGULAR ± 1/2° DRAFT WHERE APPLICABLE MUST REMAIN WITHIN DIMENSIONS		MATERIAL NO. SEE SHT 2		DOCUMENT NO. SD-74059-002		SHEET NO. 1 OF 2	
		THIS DRAWING CONTAINS INFORMATION THAT IS PROPRIETARY TO MOLEX INCORPORATED AND SHOULD NOT BE USED WITHOUT WRITTEN PERMISSION							

M/N 74059-()	---0*	---1*	---2*	---3*	---4*	---5*	---6*	---7*	---8*
KEYING PIN ORIENTATION									

74059 - * * *

NUMBER OF COLUMNS/PLATING
 10 = 10 COLUMN MATTE TIN (FORMERLY TIN/LEAD)
 21 = 11 COLUMN MATTE TIN (FORMERLY TIN/LEAD)
 25 = 25 COLUMN MATTE TIN (FORMERLY TIN/LEAD)
 60 = 10 COLUMN MATTE TIN (MAPS)
 71 = 11 COLUMN MATTE TIN (MAPS)
 75 = 25 COLUMN MATTE TIN (MAPS)
 90 = 10 COLUMN MATTE TIN
 81 = 11 COLUMN MATTE TIN
 85 = 25 COLUMN MATTE TIN

CONTACT LOAD (PIN HEIGHT)
 1 & 6 = 4.75
 2 & 7 = 6.25
 3 & 8 = 4.25
 4 & 9 = 5.15



PART NUMBER	COLUMN	NUMBER OF SIGNAL PIN	NUMBER OF SHIELD	A	B	M	GOLD THICKNESS MICROMETER	TIN THICKNESS MICROMETER
74059-60*1							0.25 MAPS	
74059-w0*1	10	60	10	27.00	18.00	4.75	0.76	
74059-w0*6							1.27	
74059-75*1							0.25 MAPS	
74059-w5*1	25	150	25	57.00	48.00	6.25	0.76	
74059-w5*6							1.27	
74059-60*2							0.25 MAPS	
74059-w0*2	10	60	10	27.00	18.00	4.25	0.76	
74059-w0*7							1.27	
74059-75*2							0.25 MAPS	
74059-w5*2	25	150	25	57.00	48.00	5.15	0.76	
74059-w5*7							1.27	
74059-60*3							0.25 MAPS	
74059-w0*3	10	60	10	27.00	18.00	4.75	0.76	0.76-152
74059-w0*8							1.27	
74059-75*3							0.25 MAPS	
74059-w5*3	25	150	25	57.00	48.00	6.25	0.76	
74059-w5*8							1.27	
74059-60*4							0.25 MAPS	
74059-w0*4	10	60	10	27.00	18.00	4.25	0.76	
74059-w0*9							1.27	
74059-75*4							0.25 MAPS	
74059-w5*4	25	150	25	57.00	48.00	5.15	0.76	
74059-w5*9							1.27	

PART NUMBER	COLUMN	NUMBER OF SIGNAL PIN	NUMBER OF SHIELD	A	B	M	GOLD THICKNESS MICROMETER	TIN THICKNESS MICROMETER
74059-71*1							0.25 MAPS	
74059-w1*1	11	66	11	29.00	20.00	4.75	0.76	
74059-w1*6							1.27	
74059-71*2							0.25 MAPS	
74059-w1*2	11	66	11	29.00	20.00	6.25	0.76	0.76-152
74059-w1*7							1.27	
74059-71*3							0.25 MAPS	
74059-w1*3	11	66	11	29.00	20.00	4.25	0.76	
74059-w1*8							1.27	
74059-71*4							0.25 MAPS	
74059-w1*4	11	66	11	29.00	20.00	5.15	0.76	
74059-w1*9							1.27	

SEE SHEET 1 EC NO: UCP2015-0687 2012/08/21 DRAWINGS CHK:DMOLFE APPR:SMILLER 2012/11/21 2012/12/14 DESCRIPTION REV	QUALITY SYMBOLS	GENERAL TOLERANCES (UNLESS SPECIFIED)	DIMENSION STYLE	SCALE	DESIGN UNITS	THIRD ANGLE PROJECTION
	$\nabla = \emptyset$ $\nabla = \emptyset$ $\nabla = \emptyset$	mm INCH 4 PLACES ± --- ± --- 3 PLACES ± --- ± --- 2 PLACES ± 0.10 ± --- 1 PLACE ± 0.25 ± --- 0 PLACE ± ±	MM ONLY	2.5:1	METRIC	TITLE VHDM 6 ROW SHIELD END BACKPLANE SALES DRAWING molex
	ANGULAR ±1/2° DRAFT WHERE APPLICABLE MUST REMAIN WITHIN DIMENSIONS	MATERIAL NO. SEE TABLE SIZE C	DATE 2010/05/20 DATE 2010/05/20 DATE 2010/07/14	DRAWN BY JMELTON CHECKED BY SDANNELLEY APPROVED BY SMILLER	DOCUMENT NO. SD-74059-002	SHEET NO. 2 OF 2
	THIS DRAWING CONTAINS INFORMATION THAT IS PROPRIETARY TO MOLEX INCORPORATED AND SHOULD NOT BE USED WITHOUT WRITTEN PERMISSION					