

Excellent Integrated System Limited

Stocking Distributor

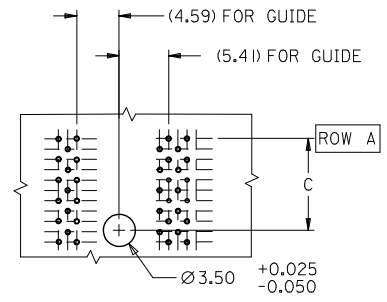
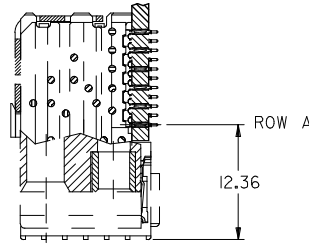
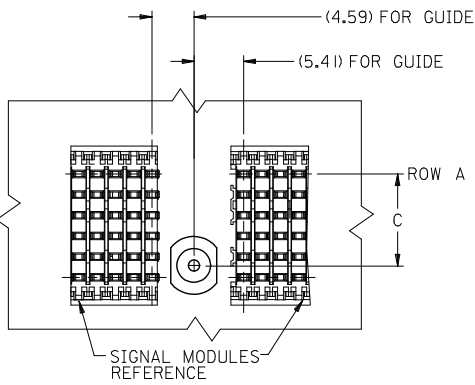
Click to view price, real time Inventory, Delivery & Lifecycle Information:

[Molex Connector Corporation](#)
[0740760004](#)

For any questions, you can email us directly:

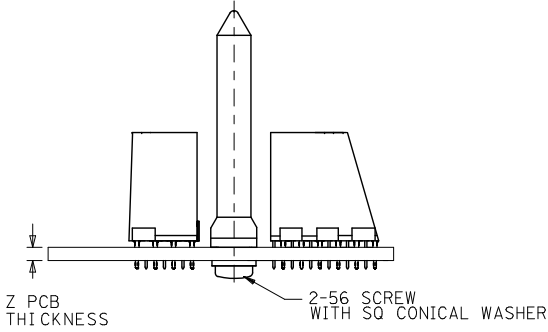
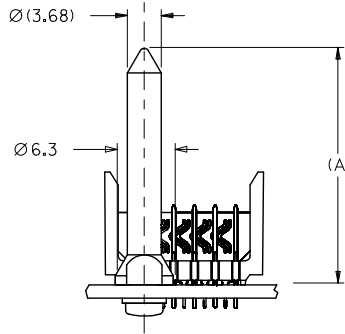
sales@integrated-circuit.com

10 9 8 7 6 5 4 3 2 74076



BACKPLANE HOLE PATTERN
FREE STAND GUIDE PIN

KIT NUMBER	DIM Z BOARD THICKNESS	DIM A
74076-0004	>4.0-9.00	25.8
74076-0008	>4.0-9.00	19.9



NOTES:

- PARTS TO BE BULK PACKED, 500 PIECES PER BAG. SCREWS AND GUIDE PINS BAGGED SEPARATELY.
- MATERIAL: SCREW AND GUIDE PIN ARE STAINLESS STEEL.
- SCREW HAS A CHEMICAL THREAD LOCKER APPLIED.

MATE WITH	DIM C
VHDM 6 ROW	
GUIDE MODULE	9.96
GROUND MODULE	9.26
JOINER MODULE	9.26
VHDM 8 ROW	
GUIDE MODULE	11.75
GROUND MODULE	11.75
JOINER MODULE	11.75

ADD PART EC NO: IUCP2009-0672 DRAWN: BINGHAM CHKD: CHEN APPR: LAUREY	QUALITY SYMBOLS ▽=0 ▽=0	GENERAL TOLERANCES (UNLESS SPECIFIED)		DIMENSION STYLE MM ONLY		SCALE	DESIGN UNITS	THIRD ANGLE PROJECTION
		mm	INCH	DATE	METRIC			
REV	DESCRIPTION	4 PLACES	± .005	± .0004	DRAWN BY	2005/06/29	TITLE VHDM BACKPLANE FREE STANDING GUIDE PIN SALES DRAWING	MATERIAL NO. SEE TABLE
		3 PLACES	± .005	± .0004	CHECKED BY	2005/06/29		
		2 PLACES	± 0.10	± .004	APPROVED BY	2005/06/29		
		1 PLACE	± 0.15	± .005	DATE	2005/06/29		
		ANGULAR	± 3°					
		DRAFT WHERE APPLICABLE MUST REMAIN WITHIN DIMENSIONS		MATERIAL NO. SEE TABLE		DOCUMENT NO. SD-74076-004	SHEET NO. 1 OF 1	

9 8 7 6 5 4 3 2 1