

## Excellent Integrated System Limited

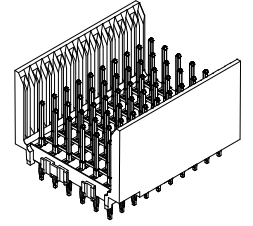
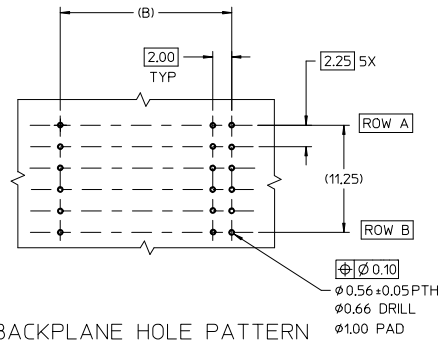
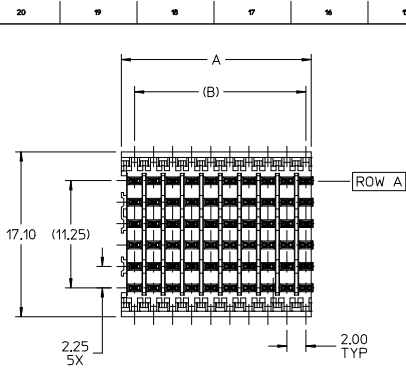
Stocking Distributor

Click to view price, real time Inventory, Delivery & Lifecycle Information:

[Molex Connector Corporation](#)  
[0751941004](#)

For any questions, you can email us directly:

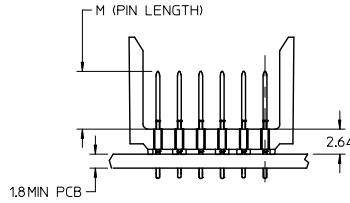
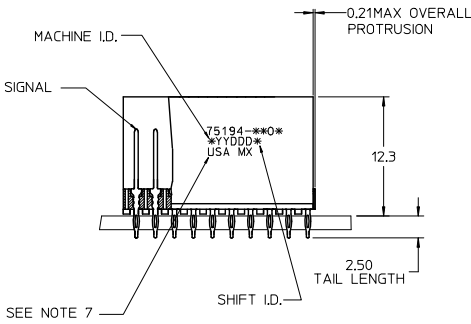
[sales@integrated-circuit.com](mailto:sales@integrated-circuit.com)



**BACKPLANE HOLE PATTERN  
RECOMMENDED DIMENSIONS**

**NOTES:**

- MATERIALS:**  
HOUSING - LIQUID CRYSTAL POLYMER (LCP),  
GLASS-FILLED, UL 94V-0, COLOR: BLACK  
SIGNAL PIN - COPPER ALLOY
- FINISHES:**  
CONTACT AREA: SELECTIVE GOLD (Au)  
PCB TAILS: SELECTIVE MATTE TIN (Sn)  
NICKEL (Ni) UNDERPLATE OVERALL.
- THIS PART CONFORMS TO MOLEX PRODUCT SPECIFICATION PS-74031-999
- FOR MIXED CONTACT LENGTHS CONSULT MOLEX FOR AVAILABILITY
- FOR SPECIFIC MATERIAL NUMBERS & MATING INFORMATION REFER TO SHEET 2
- PACKAGE PER PK-74057-003
- EITHER MARK PART WITH PART NUMBER & DATE CODE APPROXIMATELY WHERE SHOWN OR PLACE LABEL ON THE TUBE.
- MAPS (MOLEX ADVANCE PLATING SYSTEMS).



THE PRIMARY CARTON WITH A LABEL STATING "ELV AND RoHS COMPLIANT" IS LEAD FREE. CARTONS WITHOUT THIS LABEL MAY CONTAIN LEAD.

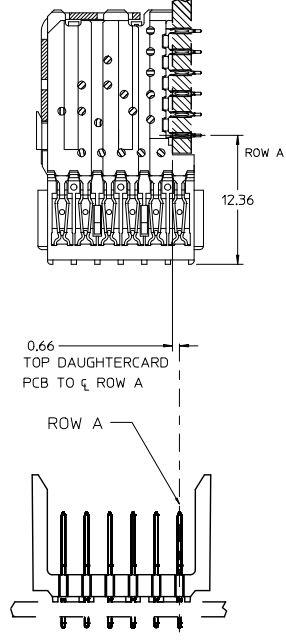
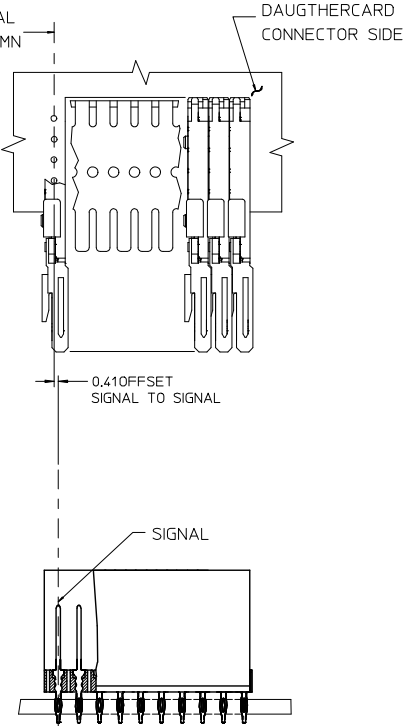
<b>LEAD FREE CONVERSION</b> DEC 10, 2012 DRW:MM/LEE 2012/08/17 CHK:SWANG 2012/08/17 APPR:SMILLER 2012/12/18 DESIGNED BY:	QUALITY SYMBOLS	GENERAL TOLERANCES (UNLESS SPECIFIED)	DIMENSION STYLE	SCALE	DESIGN UNITS	THIRD ANGLE PROJECTION	
	4 PLACES ± 0.10 3 PLACES ± 0.15 2 PLACES ± 0.25 1 PLACE ± 0.38 0 PLACE ± 0.50	mm INCH	MM ONLY	2:1	METRIC	DRAWN BY: MBANDURA CHECKED BY: NMARTIN APPROVED BY: SMILLER DATE: 2012/12/18 DATE: 2012/12/18 DATE: 2012/08/10	TITLE: VHDM LITE 6 ROW LF OPEN END BACKPLANE SALES DRAWING 
	ANGULAR ± 1/2° DRAFT WHERE APPLICABLE MUST REMAIN WITHIN DIMENSIONS	SEE SHT. 2	MATERIAL NO: DOCUMENT NO: SD-75194-001 SHEET NO: 1 OF 2	THIS DRAWING CONTAINS INFORMATION THAT IS PROPRIETARY TO MOLEX INCORPORATED AND SHOULD NOT BE USED WITHOUT WRITTEN PERMISSION			

**MATERIAL NUMBER ASSIGNMENT**

75194- \*\*0\*

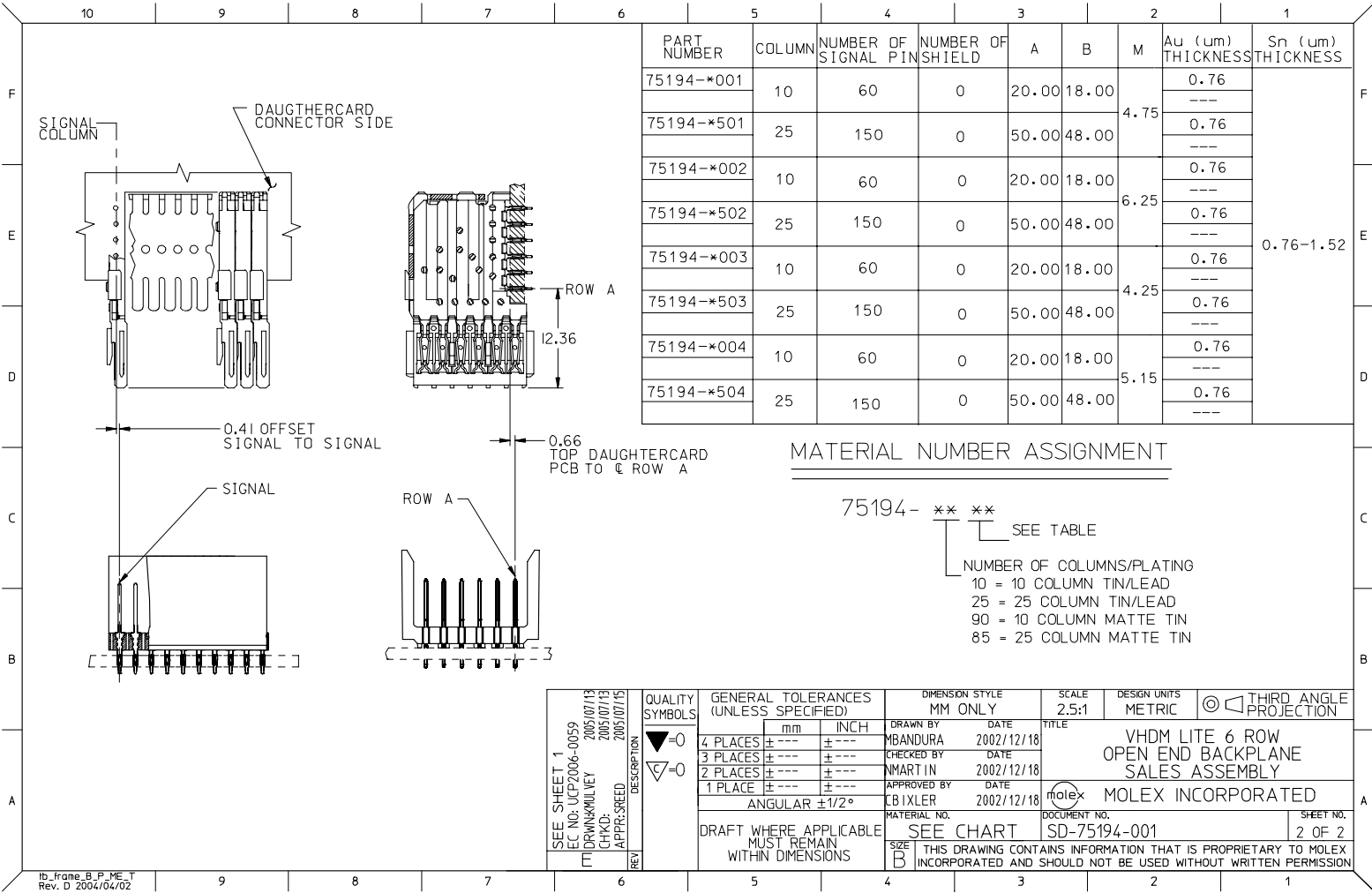
FIN LENGTH 'M'/  
GOLD THICKNESS.  
SEE TABLE

NUMBER OF COLUMNS/PLATING  
 10 = 10 COLUMN MATTE TIN (FORMERLY TIN/LEAD)  
 25 = 25 COLUMN MATTE TIN (FORMERLY TIN/LEAD)  
 60 = 10 COLUMN MATTE TIN (MAPS)  
 75 = 25 COLUMN MATTE TIN (MAPS)  
 90 = 10 COLUMN MATTE TIN  
 85 = 25 COLUMN MATTE TIN



PART NUMBER	COLUMN	NUMBER OF SIGNAL PIN	NUMBER OF SHIELD	A	B	M	GOLD THICKNESS MICROMETER	TIN THICKNESS MICROMETER
75194-6001	10	60	10	20.00	18.00	4.75	0.25 MAPS	0.76
75194-6006							1.27	
75194-7501	25	150	25	50.00	48.00	6.25	0.25 MAPS	0.76
75194-7506							1.27	
75194-6002	10	60	10	20.00	18.00	4.25	0.25 MAPS	0.76
75194-6007							1.27	
75194-7502	25	150	25	50.00	48.00	6.25	0.25 MAPS	0.76
75194-7507							1.27	
75194-6003	10	60	10	20.00	18.00	4.25	0.25 MAPS	0.76
75194-6008							1.27	
75194-7503	25	150	25	50.00	48.00	6.25	0.25 MAPS	0.76
75194-7508							1.27	
75194-6004	10	60	10	20.00	18.00	5.15	0.25 MAPS	0.76
75194-6009							1.27	
75194-7504	25	150	25	50.00	48.00	6.25	0.25 MAPS	0.76
75194-7509							1.27	

SEE SHEET 1 SEC. NO. 0751941004 DRAWN BY: G CHECKING: G APPROVAL: G DATE: 2012/08/10	QUALITY SYMBOLS	GENERAL TOLERANCES (UNLESS SPECIFIED)	DIMENSION STYLE	SCALE	DESIGN UNITS	THIRD ANGLE PROJECTION
	$\nabla=0$ $\nabla=0$ $\nabla=0$	mm INCH 4 PLACES ± --- ± --- 3 PLACES ± --- ± --- 2 PLACES ± 0.25 ± --- 1 PLACE ± 0.38 ± --- 0 PLACE ± --- ± ---	MM ONLY	2:1	METRIC	THIRD ANGLE PROJECTION
	ANGULAR ±1/2° DRAFT WHERE APPLICABLE MUST REMAIN WITHIN DIMENSIONS	DRAWN BY: MBANDURA CHECKED BY: MARTIN APPROVED BY: SMILLER DATE: 2002/12/18 DATE: 2002/12/18 DATE: 2012/08/10	TITLE			VHDM LITE 6 ROW, LF OPEN END BACKPLANE SALES DRAWING
	MATERIAL NO. SEE TABLE INCORPORATED AND SHOULD NOT BE USED WITHOUT WRITTEN PERMISSION	DOCUMENT NO. SD-75194-001 SHEET NO. 2 OF 2				<b>molex</b>



PART NUMBER	COLUMN	NUMBER OF SIGNAL PIN	NUMBER OF SHIELD	A	B	M	Au (um) THICKNESS	Sn (um) THICKNESS
75194-*001	10	60	0	20.00	18.00	4.75	0.76	0.76-1.52
75194-*501	25	150	0	50.00	48.00		---	
75194-*002	10	60	0	20.00	18.00	6.25	0.76	
75194-*502	25	150	0	50.00	48.00		---	
75194-*003	10	60	0	20.00	18.00	4.25	0.76	
75194-*503	25	150	0	50.00	48.00		---	
75194-*004	10	60	0	20.00	18.00	5.15	0.76	
75194-*504	25	150	0	50.00	48.00		---	

**MATERIAL NUMBER ASSIGNMENT**

75194- \*\* \*\*  
 SEE TABLE  
 NUMBER OF COLUMNS/PLATING  
 10 = 10 COLUMN TIN/LEAD  
 25 = 25 COLUMN TIN/LEAD  
 90 = 10 COLUMN MATTE TIN  
 85 = 25 COLUMN MATTE TIN

SEE SHEET 1 EC NO: U/P2006-0059 DRAWN: MULVEY CHKD: SREED APPR: SREED 2005/07/13 2005/07/13 2005/07/15	QUALITY SYMBOLS ▽=0 ▽=0	GENERAL TOLERANCES (UNLESS SPECIFIED)		DIMENSION STYLE MM ONLY		SCALE 2.5:1	DESIGN UNITS METRIC	THIRD ANGLE PROJECTION	
		4 PLACES ± --- ± ---	3 PLACES ± --- ± ---	2 PLACES ± --- ± ---	1 PLACE ± --- ± ---	ANGULAR ±1/2°	DRAWN BY MBANDURA	DATE 2002/12/18	TITLE VHDM LITE 6 ROW OPEN END BACKPLANE SALES ASSEMBLY
		DRAFT WHERE APPLICABLE MUST REMAIN WITHIN DIMENSIONS		SEE CHART		MATERIAL NO. B	DOCUMENT NO. SD-75194-001	MOLEX INCORPORATED	
		THIS DRAWING CONTAINS INFORMATION THAT IS PROPRIETARY TO MOLEX INCORPORATED AND SHOULD NOT BE USED WITHOUT WRITTEN PERMISSION							