

Excellent Integrated System Limited

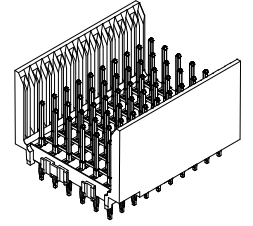
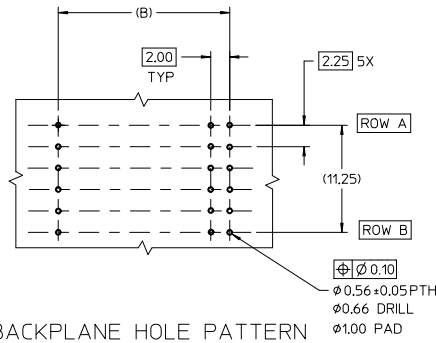
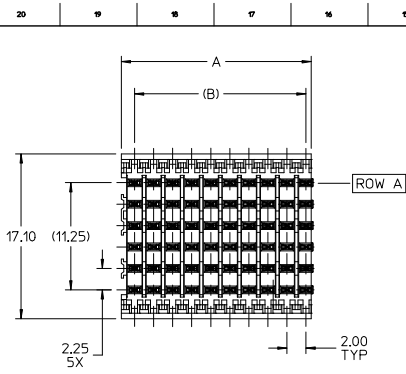
Stocking Distributor

Click to view price, real time Inventory, Delivery & Lifecycle Information:

[Molex Connector Corporation](#)
[0751942501](#)

For any questions, you can email us directly:

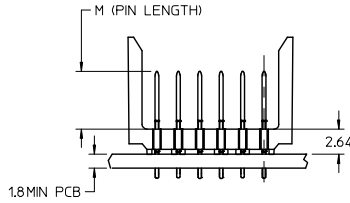
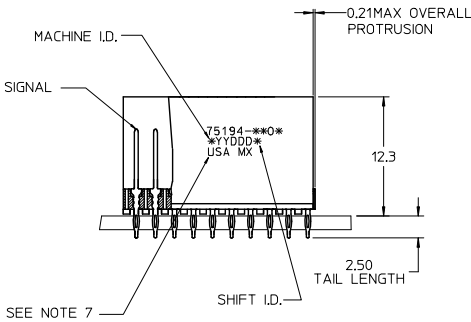
sales@integrated-circuit.com



BACKPLANE HOLE PATTERN
RECOMMENDED DIMENSIONS

NOTES:

- MATERIALS:
HOUSING - LIQUID CRYSTAL POLYMER (LCP),
GLASS-FILLED, UL 94V-0, COLOR: BLACK
SIGNAL PIN - COPPER ALLOY
- FINISHES:
CONTACT AREA: SELECTIVE GOLD (Au)
PCB TAILS: SELECTIVE MATTE TIN (Sn)
NICKEL (Ni) UNDERPLATE OVERALL.
- THIS PART CONFORMS TO MOLEX PRODUCT
SPECIFICATION PS-74031-999
- FOR MIXED CONTACT LENGTHS CONSULT
MOLEX FOR AVAILABILITY
- FOR SPECIFIC MATERIAL NUMBERS & MATING
INFORMATION REFER TO SHEET 2
- PACKAGE PER PK-74057-003
- EITHER MARK PART WITH PART NUMBER & DATE
CODE APPROXIMATELY WHERE SHOWN OR PLACE
LABEL ON THE TUBE.
- MAPS (MOLEX ADVANCE PLATING SYSTEMS).



THE PRIMARY CARTON WITH A LABEL STATING
"ELV AND RoHS COMPLIANT" IS LEAD FREE.
CARTONS WITHOUT THIS LABEL MAY CONTAIN LEAD.

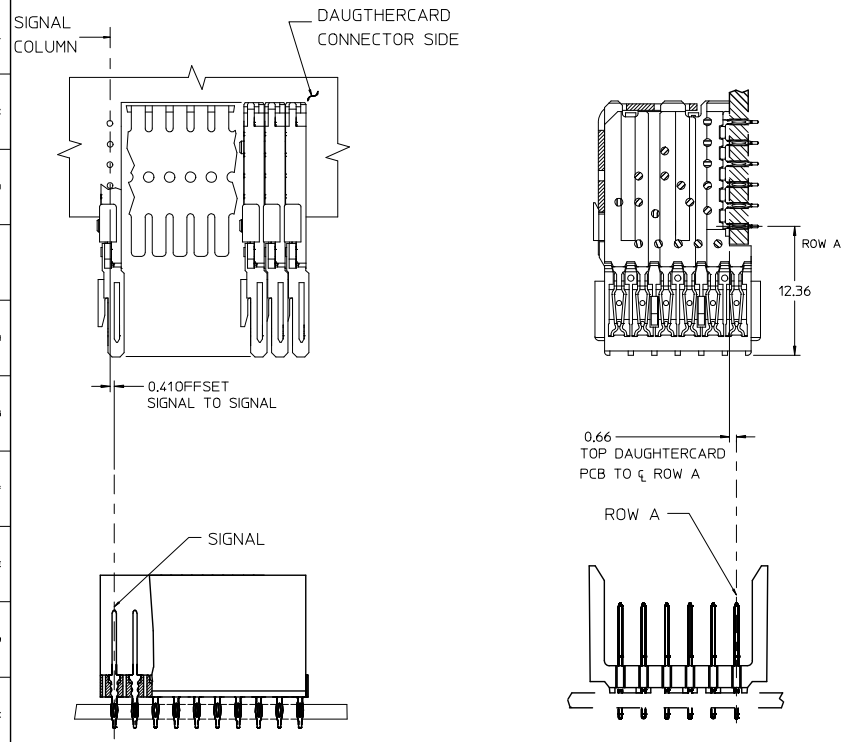
LEAD FREE CONVERSION DEC 10, 2012 DRW/MOLEX 2012/08/17 CHK/SWANG 2012/08/17 APPR/SMILLER 2012/08/17 ENG/SMILLER 2012/08/17	QUALITY SYMBOLS	GENERAL TOLERANCES (UNLESS SPECIFIED)	DIMENSION STYLE	SCALE	DESIGN UNITS	THIRD ANGLE PROJECTION	
	∇=0 ∇=0 ∇=0	mm INCH 4 PLACES ± --- ± --- 3 PLACES ± --- ± --- 2 PLACES ± 0.25 ± --- 1 PLACE ± 0.38 ± --- 0 PLACE ± --- ± ---	MM ONLY	2:1	METRIC	DRAWN BY DATE MBANDURA 2002/12/18 CHECKED BY DATE NMARTIN 2002/12/18 APPROVED BY DATE SMILLER 2012/08/10	TITLE VHDM LITE 6 ROW LF OPEN END BACKPLANE SALES DRAWING
	ANGULAR ±1/2° DRAFT WHERE APPLICABLE MUST REMAIN WITHIN DIMENSIONS	MATERIAL NO. SEE SHT.2 SIZE D THIS DRAWING CONTAINS INFORMATION THAT IS PROPRIETARY TO MOLEX INCORPORATED AND SHOULD NOT BE USED WITHOUT WRITTEN PERMISSION	DOCUMENT NO. SD-75194-001	SHEET NO. 1 OF 2			

MATERIAL NUMBER ASSIGNMENT

75194- **0*

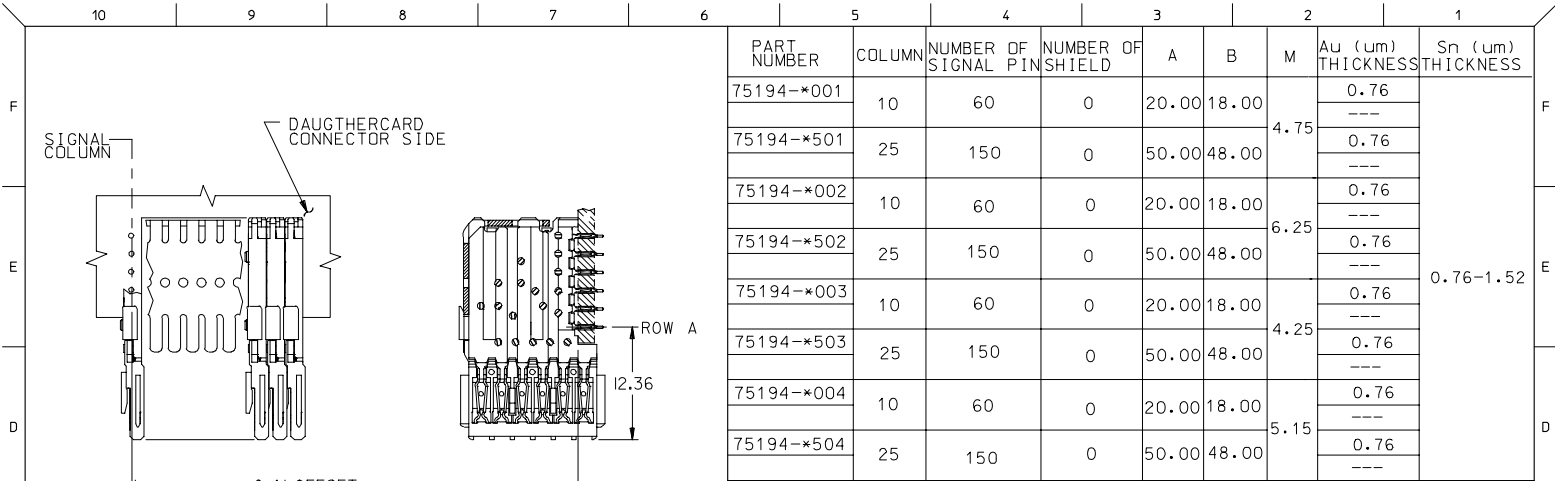
FIN LENGTH 'M'/
GOLD THICKNESS.
SEE TABLE

NUMBER OF COLUMNS/PLATING
 10 = 10 COLUMN MATTE TIN (FORMERLY TIN/LEAD)
 25 = 25 COLUMN MATTE TIN (FORMERLY TIN/LEAD)
 60 = 10 COLUMN MATTE TIN (MAPS)
 75 = 25 COLUMN MATTE TIN (MAPS)
 90 = 10 COLUMN MATTE TIN
 85 = 25 COLUMN MATTE TIN



PART NUMBER	COLUMN	NUMBER OF SIGNAL PIN	NUMBER OF SHIELD	A	B	M	GOLD THICKNESS MICROMETER	TIN THICKNESS MICROMETER
75194-6001	10	60	10	20.00	18.00	4.75	0.25 MAPS	0.76
75194-6006							1.27	
75194-7501	25	150	25	50.00	48.00	6.25	0.25 MAPS	0.76
75194-7506							1.27	
75194-6002	10	60	10	20.00	18.00	4.25	0.25 MAPS	0.76
75194-6007							1.27	
75194-7502	25	150	25	50.00	48.00	6.25	0.25 MAPS	0.76
75194-7507							1.27	
75194-6003	10	60	10	20.00	18.00	4.25	0.25 MAPS	0.76
75194-6008							1.27	
75194-7503	25	150	25	50.00	48.00	6.25	0.25 MAPS	0.76
75194-7508							1.27	
75194-6004	10	60	10	20.00	18.00	5.15	0.25 MAPS	0.76
75194-6009							1.27	
75194-7504	25	150	25	50.00	48.00	6.25	0.25 MAPS	0.76
75194-7509							1.27	

SEE SHEET 1 SEC. NO. 0751942501-0087 DRAWN BY: G CHECKING: G APPROVAL: G DATE: 2012/08/17	QUALITY SYMBOLS	GENERAL TOLERANCES (UNLESS SPECIFIED)	DIMENSION STYLE	SCALE	DESIGN UNITS	THIRD ANGLE PROJECTION
	∇=0 ∇=0 ∇=0	mm INCH 4 PLACES ± --- ± --- 3 PLACES ± --- ± --- 2 PLACES ± 0.25 ± --- 1 PLACE ± 0.38 ± --- 0 PLACE ± --- ± ---	MM ONLY	2:1	METRIC	THIRD ANGLE PROJECTION
	ANGULAR ±1/2° DRAFT WHERE APPLICABLE MUST REMAIN WITHIN DIMENSIONS	DRAWN BY: MBANDURA CHECKED BY: MARTIN APPROVED BY: SMILLER DATE: 2002/12/18 DATE: 2002/12/18 DATE: 2012/08/10	TITLE			VHDM LITE 6 ROW, LF OPEN END BACKPLANE SALES DRAWING
	MATERIAL NO. SEE TABLE INCORPORATED AND SHOULD NOT BE USED WITHOUT WRITTEN PERMISSION	DOCUMENT NO. SD-75194-001 SHEET NO. 2 OF 2				molex INCORPORATED AND SHOULD NOT BE USED WITHOUT WRITTEN PERMISSION



MATERIAL NUMBER ASSIGNMENT

75194- ** **
SEE TABLE

NUMBER OF COLUMNS/PLATING
 10 = 10 COLUMN TIN/LEAD
 25 = 25 COLUMN TIN/LEAD
 90 = 10 COLUMN MATTE TIN
 85 = 25 COLUMN MATTE TIN

SEE SHEET 1 EC NO: U/P2006-0059 TQ: DRINKHULVEY CHKD: 2005/07/13 APPR: SREED 2005/07/15	QUALITY SYMBOLS ▽=0 ▽=0	GENERAL TOLERANCES (UNLESS SPECIFIED)		DIMENSION STYLE	SCALE	DESIGN UNITS	THIRD ANGLE PROJECTION	
		mm	INCH	MM ONLY	2.5:1	METRIC		
		4 PLACES ± --- ± ---		DRAWN BY	DATE	TITLE		
		3 PLACES ± --- ± ---		MBANDURA	2002/12/18	VHDM LITE 6 ROW OPEN END BACKPLANE SALES ASSEMBLY		
2 PLACES ± --- ± ---		CHECKED BY	DATE	MATERIAL NO.			DOCUMENT NO.	
1 PLACE ± --- ± ---		NMART IN	2002/12/18	SEE CHART			SD-75194-001	
ANGULAR ±1/2°		APPROVED BY	DATE	MATERIAL NO.			DOCUMENT NO.	
		EBIXLER	2002/12/18	SEE CHART			SD-75194-001	
DRAFT WHERE APPLICABLE MUST REMAIN WITHIN DIMENSIONS		SIZE	THIS DRAWING CONTAINS INFORMATION THAT IS PROPRIETARY TO MOLEX INCORPORATED AND SHOULD NOT BE USED WITHOUT WRITTEN PERMISSION					SHEET NO. 2 OF 2