



**Distributor of Molex Connector Corporation: Excellent Integrated System Limited**  
Datasheet of 0894858100 - Connector Receptacle USB TypeA 4 Position Through Hole, Right  
Angle, Vertical

Contact us: [sales@integrated-circuit.com](mailto:sales@integrated-circuit.com) Website: [www.integrated-circuit.com](http://www.integrated-circuit.com)

---

## **Excellent Integrated System Limited**

Stocking Distributor

Click to view price, real time Inventory, Delivery & Lifecycle Information:

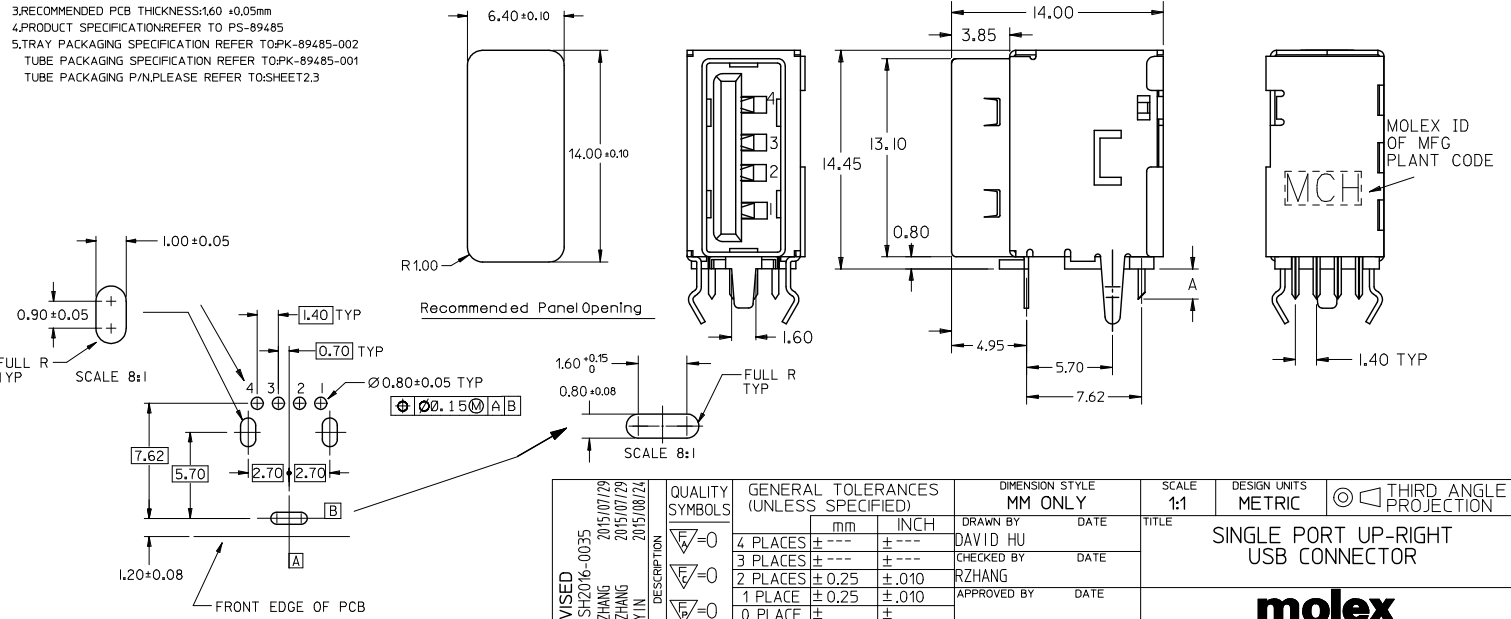
[Molex Connector Corporation](#)  
[0894858100](#)

For any questions, you can email us directly:  
[sales@integrated-circuit.com](mailto:sales@integrated-circuit.com)

Contact us: [sales@integrated-circuit.com](mailto:sales@integrated-circuit.com) Website: [www.integrated-circuit.com](http://www.integrated-circuit.com)

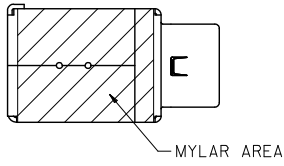
NOTE:  
 1.MATERIAL:  
 HOUSING:HIGH TEMPERATURE NYLON,GLASS FIBRE FILLED,UL94-V0,COLOR:BLACK  
 TERMINAL:PHOSPHOR BRONZE  
 METAL SHELL:DEEP DRAWN STEEL  
 2.PLATING:  
 TERMINAL:  
 (a)GLOD FIASH ON THE CONTACT AREA,AND 75MICROINCH MINIMUM PURE TIN ON SOLDER TAIL, UNDER 50MICROINCH MINIMUM NI PLATE.  
 (b)30MICROINCH MINIMUM GOLD(Au) ON THE CONTACT AREA, AND 75MICROINCH MINIMUM PURE TIN ON SOLDER TAIL,UNDER 50MICROINCH MINIMUM NI UNDER PLATE.  
 (c)GOLD FIASH ON THE CONTACT AREA,AND 75MICROINCH MINIMUM MATTE TIN ON SOLDER TAIL,UNDER 50MICROINCH MINIMUM NI PLATE.  
 METAL SHELL:  
 (d)100MICROINCH MINIMUM BRIGHT TIN ON THE METAL SHELL,AND 50MICROINCH MINIMUM NI AND 100MICROINCH MINIMUM Cu PLATE.  
 (e)100MICROINCH MINIMUM MATTE TIN ON THE METAL SHELL,AND 50MICROINCH MINIMUM NI AND 100MICROINCH MINIMUM Cu PLATE.  
 3.RECOMMENDED PCB THICKNESS:1.60 ±0.05mm  
 4.PRODUCT SPECIFICATION REFER TO PS-89485  
 5. TRAY PACKAGING SPECIFICATION REFER TO PK-89485-002  
 TUBE PACKAGING SPECIFICATION REFER TO PK-89485-001  
 TUBE PACKAGING P/N,PLEASE REFER TO SHEET 2.3

DIMENSION A*	P/N	PLATING	TERMINAL CONTACT PLATING	TERMINAL SOLDER PLATING	METAL SHELL PLATING
2.00	+0.35 -0.15	89485-8000	SEE NOTES(a)+(d)	GOLD FLASH	75 MICRO INCH BRIGHT TIN 100 MICRO INCH BRIGHT TIN
		89485-8001	SEE NOTES(b)+(d)	30 MICRO INCH GOLD	
2.50	+0.35 -0.10	89485-8002	SEE NOTES(a)+(d)	GOLD FLASH	75 MICRO INCH MATTE TIN 100 MICRO INCH MATTE TIN
		89485-8003	SEE NOTES(b)+(d)	30 MICRO INCH GOLD	
		89485-8012	SEE NOTES(c)+(e)	GOLD FLASH	

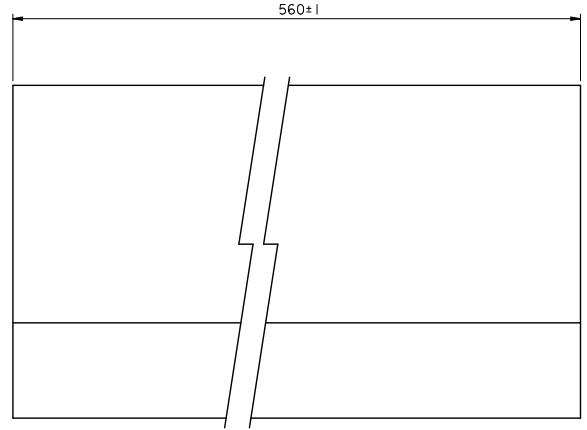
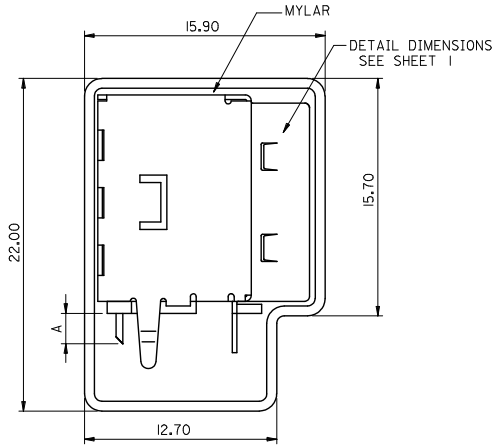


REVISED EC NO. SH2016-0035 TIDRWR/RZHANG 2015/07/29 CHYK/RZHANG 2015/07/29 APPR: ATIN 2015/08/24	QUALITY SYMBOLS ∇=0 ∇=0 ∇=0	GENERAL TOLERANCES (UNLESS SPECIFIED)		DIMENSION STYLE		SCALE	DESIGN UNITS	THIRD ANGLE PROJECTION		
				MM ONLY		1:1	METRIC			
		4 PLACES	± ---	± ---	DRAWN BY	DATE	SINGLE PORT UP-RIGHT USB CONNECTOR <b>molex</b> MATERIAL NO. SEE TABLE DOCUMENT NO. SD-89485-003 SHEET NO. 1 OF 3			
		3 PLACES	± ---	± ---	CHECKED BY	DATE				
2 PLACES	± 0.25	± 0.10	RZHANG	DATE						
1 PLACE	± 0.25	± 0.10	APPROVED BY	DATE						
0 PLACE	±	±	ANGULAR ± 3 °		MATERIAL NO.		DOCUMENT NO.			
DRAFT WHERE APPLICABLE MUST REMAIN WITHIN DIMENSIONS			SEE TABLE		SD-89485-003		SHEET NO. 1 OF 3			
THIS DRAWING CONTAINS INFORMATION THAT IS PROPRIETARY TO MOLEX INCORPORATED AND SHOULD NOT BE USED WITHOUT WRITTEN PERMISSION										

Contact us: [sales@integrated-circuit.com](mailto:sales@integrated-circuit.com) Website: [www.integrated-circuit.com](http://www.integrated-circuit.com)



NOTE:  
1. DETAIL DIMENSIONS, PLEASE REFER TO SHEET 1 OF SD-89485-003  
2. THE TUBE PACKAGE INCLUDE TWO PLUGS ON RIGHT AND LEFT SIDES.  
3. TUBE PACKAGING SPECIFICATION REFER TO: PK-89485-001



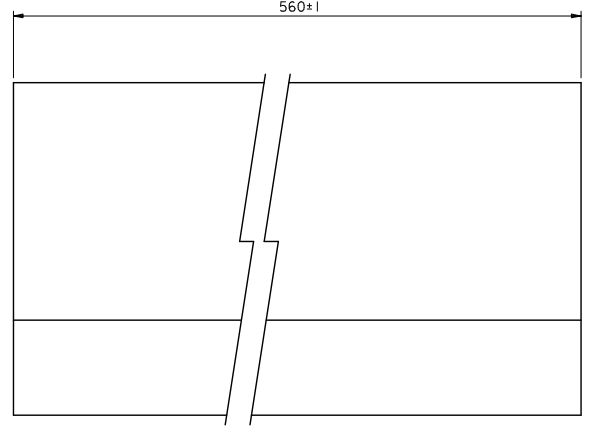
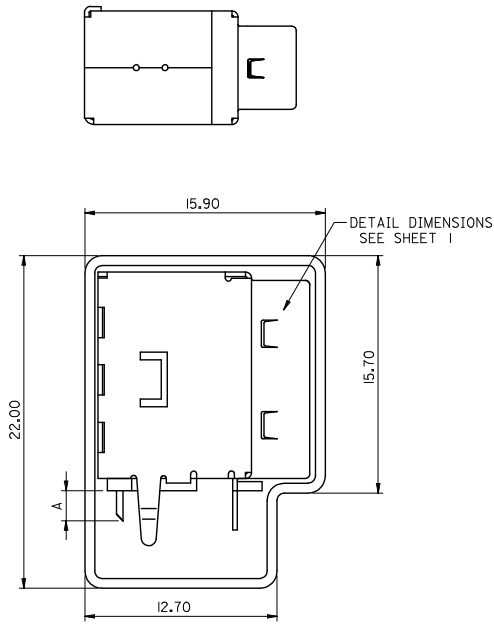
PART NUMBER LEGEND:

P/N FOR TUBE PACKING AND MYLAR ADDITION		
MATERIAL NUMBER	DIMENSION *A*	PLATING SPECIFICATION
89485-8100	2.00 +0.35 -0.15	GOLD FLASH PLATING ON CONTACT AREA
89485-8101		30 MICRO INCH GOLD PLATING ON CONTACT AREA
89485-8102	2.50 +0.35 -0.10	GOLD FLASH PLATING ON CONTACT AREA
89485-8103		30 MICRO INCH GOLD PLATING ON CONTACT AREA

REV	DESCRIPTION	QUALITY SYMBOLS	GENERAL TOLERANCES (UNLESS SPECIFIED)		DIMENSION STYLE		SCALE	DESIGN UNITS	THIRD ANGLE PROJECTION
			mm	INCH	MM ONLY	DATE			
1	SEE SHEET 1	∇=0	4 PLACES	±---	±---	DRAWN BY	DATE	SINGLE PORT UP-RIGHT USB CONNECTOR	
2	EC NO: SH2016-0035	∇=0	3 PLACES	±---	±---	CHECKED BY	DATE		
3	DRWR:RZHANG 2015/07/29	∇=0	2 PLACES	±0.25	±.010	APPROVED BY	DATE		
4	CHK:RZHANG 2015/07/29	∇=0	1 PLACE	±0.25	±.010				
5	APPR:AYIN 2015/08/24		0 PLACE	±	±				
			ANGULAR ± 3°		MATERIAL NO.		DOCUMENT NO.		
			DRAFT WHERE APPLICABLE MUST REMAIN WITHIN DIMENSIONS		SEE SHEET 1		SD-89485-003	SHEET NO. 2 OF 3	
					SIZE A3		THIS DRAWING CONTAINS INFORMATION THAT IS PROPRIETARY TO MOLEX INCORPORATED AND SHOULD NOT BE USED WITHOUT WRITTEN PERMISSION		

Contact us: [sales@integrated-circuit.com](mailto:sales@integrated-circuit.com) Website: [www.integrated-circuit.com](http://www.integrated-circuit.com)

NOTE:  
1.DETAIL DIMENSIONS , PLEASE REFER TO SHEET 1 OF SD-89485-003  
2.THE TUBE PACKAGE INCLUDE TWO PLUGS ON RIGHT AND LEFT SIDES.  
3.TUBE PACKAGING SPECIFICATION REFER TO: PK-89485-001



**PART NUMBER LEGEND:**

P/N FOR TUBE PACKING		
MATERIAL NUMBER	DIMENSION *A	PLATING SPECIFICATION
89485-8200	2.00 <sup>+0.35</sup> <sub>-0.15</sub>	GOLD FLASH PLATING ON CONTACT AREA
89485-8201		30 MICRO INCH GOLD PLATING ON CONTACT AREA
89485-8202	2.50 <sup>+0.35</sup> <sub>-0.10</sub>	GOLD FLASH PLATING ON CONTACT AREA
89485-8203		30 MICRO INCH GOLD PLATING ON CONTACT AREA

SEE SHEET 1 EC NO: SH2016-0035 DRAWN BY: CHKDRZHANG 2015/07/29 CHECKED BY: CHKDRZHANG 2015/07/29 APPROVED BY: APPR:ATIN 2015/08/24	QUALITY SYMBOLS $\sqrt{\text{R}}=0$ $\sqrt{\text{P}}=0$ $\sqrt{\text{S}}=0$	GENERAL TOLERANCES (UNLESS SPECIFIED)		DIMENSION STYLE MM ONLY		SCALE 1:1	DESIGN UNITS METRIC	THIRD ANGLE PROJECTION
		4 PLACES ± --- ± ---		DRAWN BY DATE DAVID HU		TITLE SINGLE PORT UP-RIGHT USB CONNECTOR		
		3 PLACES ± --- ± ---		CHECKED BY DATE RZHANG		APPROVED BY DATE		
		2 PLACES ± 0.25 ± .010 1 PLACE ± 0.25 ± .010 0 PLACE ± ±		MATERIAL NO. SEE SHEET 1		DOCUMENT NO. SD-89485-003		
ANGULAR ± 3 ° DRAFT WHERE APPLICABLE MUST REMAIN WITHIN DIMENSIONS		SIZE A3		THIS DRAWING CONTAINS INFORMATION THAT IS PROPRIETARY TO MOLEX INCORPORATED AND SHOULD NOT BE USED WITHOUT WRITTEN PERMISSION				