

Excellent Integrated System Limited

Stocking Distributor

Click to view price, real time Inventory, Delivery & Lifecycle Information:

[Molex Connector Corporation](#)
[0732160120](#)

For any questions, you can email us directly:

sales@integrated-circuit.com

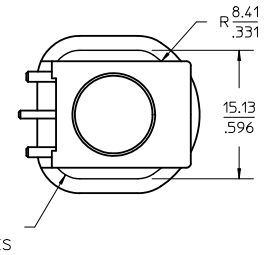
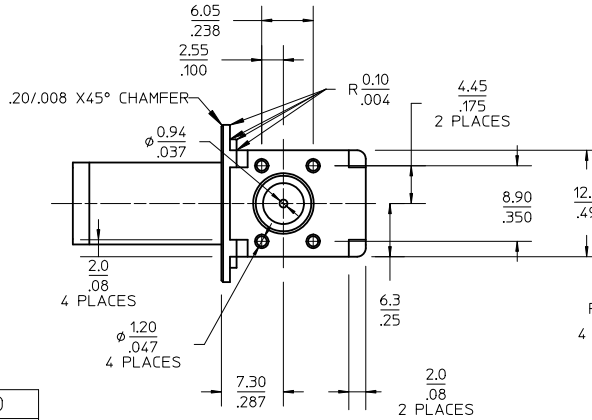
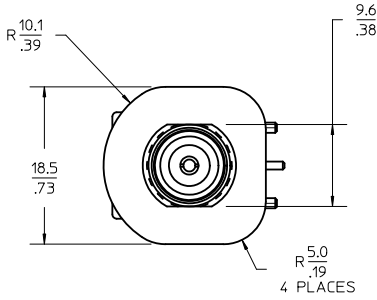
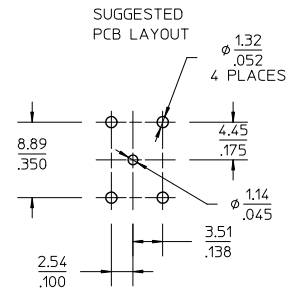
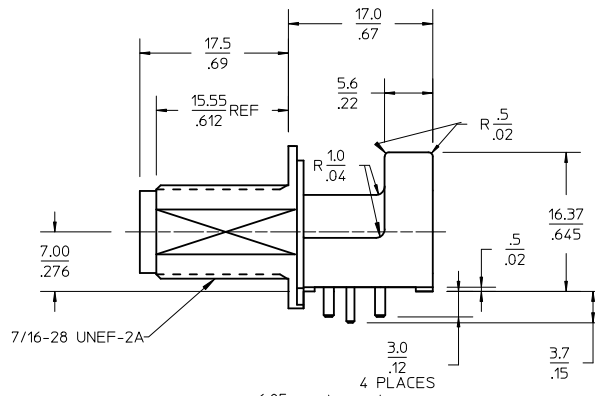
MATERIALS AND FINISHES:

BODY ZINC
PLATED NICKEL

CENTER CONDUCTOR PHOSPHOR BRONZE
& BRASS PLATED GOLD

INSULATORS TEFLON

MOUNTING POSTS BRASS
PLATED TIN



PART #73216-0120

ES-73599-0000-002	TNC INTERFACE STANDARD
PS-89675-1430	ELECTRO/MECH SPECIFICATION
SPECIFICATION	DESCRIPTION

CHG: LOADED INTO WORK MANAGER. PLATING ON POSTS WAS SN/PB. EC NO: URF2005-0462 DRWN: ROBERTSON 2005/04/27 CHKD: SHAH 2005/04/27 APPR: WIENER 2005/04/28 D REV DESCRIPTION	QUALITY SYMBOLS	GENERAL TOLERANCES (UNLESS SPECIFIED)	DIMENSION STYLE	SCALE	DESIGN UNITS	THIRD ANGLE PROJECTION	
	▽=0 ▽=0	mm INCH 4 PLACES ± --- ± --- 3 PLACES ± --- ± --- 2 PLACES ± --- ± --- 1 PLACE ± --- ± --- ANGULAR ±1/2°	MM/IN	---	METRIC	TNC, JACK, R/A PCB 50 OHM TNC-J/PCB	
		DRAFT WHERE APPLICABLE MUST REMAIN WITHIN DIMENSIONS	DRAWN BY DATE	TITLE	MOLEX INCORPORATED		
			CHECKED BY DATE		MATERIAL NO.	DOCUMENT NO.	SHEET NO.
			APPROVED BY DATE		732160120	SD-73216-012	1 OF 1

tb_frame_A_P_ME_T
Rev. D 2004/04/02

5

4

3

2

1