



**Distributor of Molex Connector Corporation: Excellent Integrated System Limited**  
Datasheet of 0386303102 - Connector Barrier Block Strip 2 Circuit 0.438" (11.12mm)

Contact us: [sales@integrated-circuit.com](mailto:sales@integrated-circuit.com) Website: [www.integrated-circuit.com](http://www.integrated-circuit.com)

---

## **Excellent Integrated System Limited**

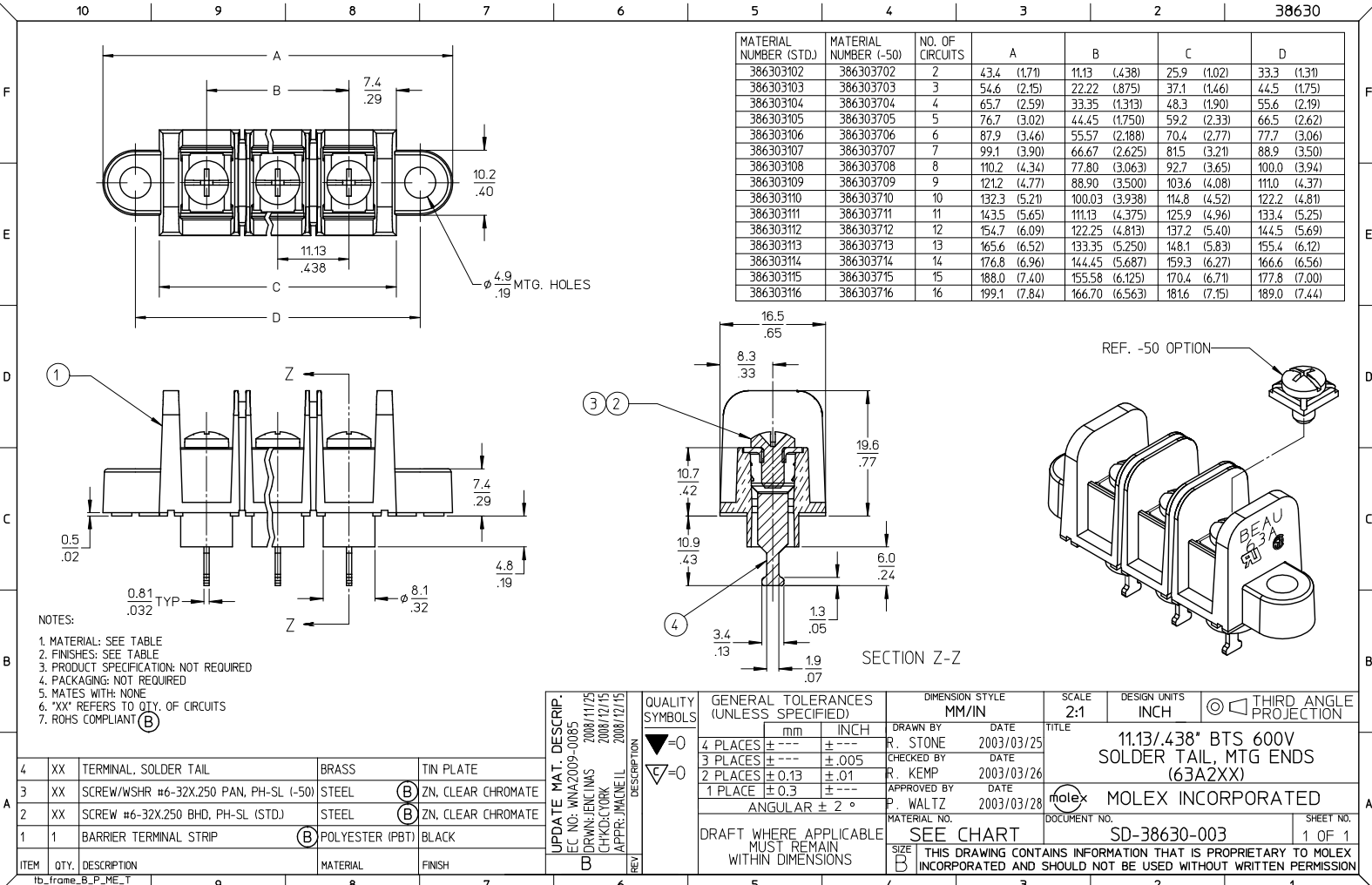
Stocking Distributor

Click to view price, real time Inventory, Delivery & Lifecycle Information:

[Molex Connector Corporation](#)  
[0386303102](#)

For any questions, you can email us directly:

[sales@integrated-circuit.com](mailto:sales@integrated-circuit.com)



MATERIAL NUMBER (STD.)	MATERIAL NUMBER (-50)	NO. OF CIRCUITS	A	B	C	D
386303102	386303702	2	43.4 (1.71)	11.13 (4.38)	25.9 (1.02)	33.3 (1.31)
386303103	386303703	3	54.6 (2.15)	22.22 (8.75)	37.1 (1.46)	44.5 (1.75)
386303104	386303704	4	65.7 (2.59)	33.35 (1.313)	48.3 (1.90)	55.6 (2.19)
386303105	386303705	5	76.7 (3.02)	44.45 (1.750)	59.2 (2.33)	66.5 (2.62)
386303106	386303706	6	87.9 (3.46)	55.57 (2.188)	70.4 (2.77)	77.7 (3.06)
386303107	386303707	7	99.1 (3.90)	66.67 (2.625)	81.5 (3.21)	88.9 (3.50)
386303108	386303708	8	110.2 (4.34)	77.80 (3.063)	92.7 (3.65)	100.0 (3.94)
386303109	386303709	9	121.2 (4.77)	88.90 (3.500)	103.6 (4.08)	111.0 (4.37)
386303110	386303710	10	132.3 (5.21)	100.03 (3.938)	114.8 (4.52)	122.2 (4.81)
386303111	386303711	11	143.5 (5.65)	111.13 (4.375)	125.9 (4.96)	133.4 (5.25)
386303112	386303712	12	154.7 (6.09)	122.25 (4.813)	137.2 (5.40)	144.5 (5.69)
386303113	386303713	13	165.6 (6.52)	133.35 (5.250)	148.1 (5.83)	155.4 (6.12)
386303114	386303714	14	176.8 (6.96)	144.45 (5.687)	159.3 (6.27)	166.6 (6.56)
386303115	386303715	15	188.0 (7.40)	155.58 (6.125)	170.4 (6.71)	177.8 (7.00)
386303116	386303716	16	199.1 (7.84)	166.70 (6.563)	181.6 (7.15)	189.0 (7.44)

- NOTES:
1. MATERIAL: SEE TABLE
  2. FINISHES: SEE TABLE
  3. PRODUCT SPECIFICATION: NOT REQUIRED
  4. PACKAGING: NOT REQUIRED
  5. MATES WITH: NONE
  6. "XX" REFERS TO QTY. OF CIRCUITS
  7. ROHS COMPLIANT (B)

GENERAL TOLERANCES (UNLESS SPECIFIED)		DIMENSION STYLE		SCALE	DESIGN UNITS	THIRD ANGLE PROJECTION
mm	INCH	MM/IN		2:1	INCH	
4 PLACES ± .005	± .0005	DRAWN BY R. STONE	DATE 2003/03/25	TITLE 11.13/.438" BTS 600V SOLDER TAIL, MTG ENDS (63A2XX)		
3 PLACES ± .01	± .001	CHECKED BY R. KEMP	DATE 2003/03/26	MOLEX INCORPORATED		
2 PLACES ± 0.13	± .01	APPROVED BY P. WALTZ	DATE 2003/03/28	SD-38630-003		
1 PLACE ± 0.3	± .01	MATERIAL NO. SEE CHART		SHEET NO. 1 OF 1		
ANGULAR ± 2°		DRAFT WHERE APPLICABLE MUST REMAIN WITHIN DIMENSIONS		THIS DRAWING CONTAINS INFORMATION THAT IS PROPRIETARY TO MOLEX INCORPORATED AND SHOULD NOT BE USED WITHOUT WRITTEN PERMISSION		

ITEM	QTY.	DESCRIPTION	MATERIAL	FINISH
4	XX	TERMINAL, SOLDER TAIL	BRASS	TIN PLATE
3	XX	SCREW/WSHR #6-32X.250 PAN, PH-SL (-50)	STEEL (B)	ZN, CLEAR CHROMATE
2	XX	SCREW #6-32X.250 BHD, PH-SL (STD.)	STEEL (B)	ZN, CLEAR CHROMATE
1	1	BARRIER TERMINAL STRIP	(B) POLYESTER (PBT)	BLACK

1b\_frome\_B\_P\_ME\_T  
Rev. E 2006/04/15