



**Distributor of Molex Connector Corporation: Excellent Integrated System Limited**  
Datasheet of 0386304604 - Connector Barrier Block Strip 4 Circuit 0.438" (11.12mm)

Contact us: [sales@integrated-circuit.com](mailto:sales@integrated-circuit.com) Website: [www.integrated-circuit.com](http://www.integrated-circuit.com)

---

## **Excellent Integrated System Limited**

Stocking Distributor

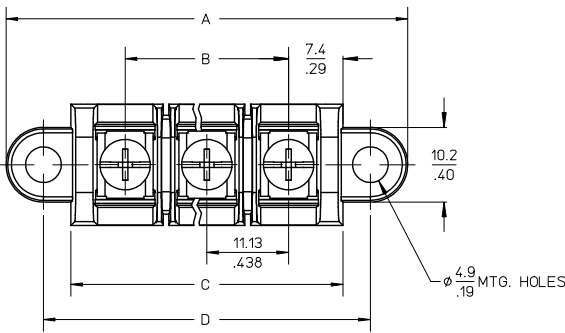
Click to view price, real time Inventory, Delivery & Lifecycle Information:

[Molex Connector Corporation](#)  
[0386304604](#)

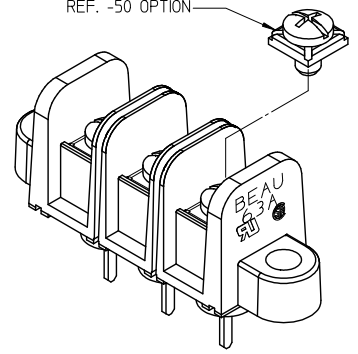
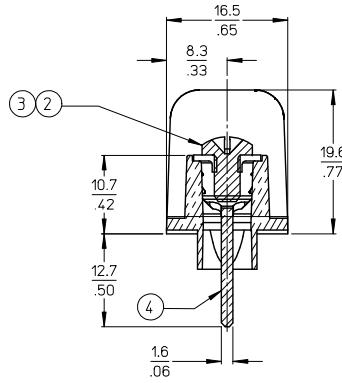
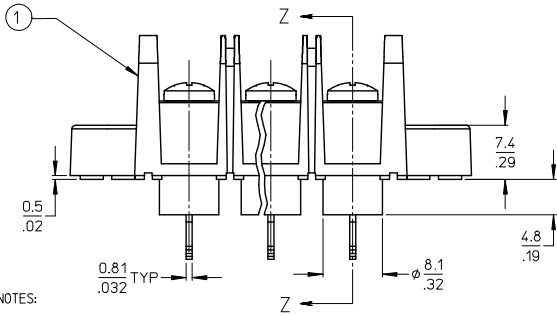
For any questions, you can email us directly:

[sales@integrated-circuit.com](mailto:sales@integrated-circuit.com)

10 9 8 7 6 5 4 3 2 38630



MATERIAL NUMBER (STD.)	MATERIAL NUMBER (-50)	NO. OF CIRCUITS	A	B	C	D
386304602	386305202	2	43.4 (1.71)	11.13 (.438)	25.9 (1.02)	33.3 (1.31)
386304603	386305203	3	54.6 (2.15)	22.22 (.875)	37.1 (1.46)	44.5 (1.75)
386304604	386305204	4	65.7 (2.59)	33.35 (1.313)	48.3 (1.90)	55.6 (2.19)
386304605	386305205	5	76.7 (3.02)	44.45 (1.750)	59.2 (2.33)	66.5 (2.62)
386304606	386305206	6	87.9 (3.46)	55.57 (2.188)	70.4 (2.77)	77.7 (3.06)
386304607	386305207	7	99.1 (3.90)	66.67 (2.625)	81.5 (3.21)	88.9 (3.50)
386304608	386305208	8	110.2 (4.34)	77.80 (3.063)	92.7 (3.65)	100.0 (3.94)
386304609	386305209	9	121.2 (4.77)	88.90 (3.500)	103.6 (4.08)	111.0 (4.37)
386304610	386305210	10	132.3 (5.21)	100.03 (3.938)	114.8 (4.52)	122.2 (4.81)
386304611	386305211	11	143.5 (5.65)	111.13 (4.375)	125.9 (4.96)	133.4 (5.25)
386304612	386305212	12	154.7 (6.09)	122.25 (4.813)	137.2 (5.40)	144.5 (5.69)
386304613	386305213	13	165.6 (6.52)	133.35 (5.250)	148.1 (5.83)	155.4 (6.12)
386304614	386305214	14	176.8 (6.96)	144.45 (5.687)	159.3 (6.27)	166.6 (6.56)
386304615	386305215	15	188.0 (7.40)	155.58 (6.125)	170.4 (6.71)	177.8 (7.00)
386304616	386305216	16	199.1 (7.84)	166.70 (6.563)	181.6 (7.15)	189.0 (7.44)



- NOTES:
1. MATERIAL: SEE TABLE
  2. FINISHES: SEE TABLE
  3. PRODUCT SPECIFICATION: NOT REQUIRED
  4. PACKAGING: NOT REQUIRED
  5. MATES WITH: NONE
  6. "XX" REFERS TO QTY. OF CIRCUITS
  7. ROHS COMPLIANT (B)

SECTION Z-Z

ITEM	QTY.	DESCRIPTION	MATERIAL	FINISH
4	XX	TERMINAL, WIRE WRAP, LONG, #6-32.	BRASS	TIN PLATE
3	XX	SCREW/WSHR #6-32X.250 PAN, PH-SL (-50)	STEEL (B)	ZN, CLEAR CHROMATE
2	XX	SCREW #6-32X.250 BHD, PH-SL (STD.)	STEEL (B)	ZN, CLEAR CHROMATE
1	1	BARRIER TERMINAL STRIP	(B) POLYESTER (PBT)	BLACK

UPDATE MAT. DESCRIP. EC NO: WNA2009-0085 DRAWING: JEN/MS 2008/11/25 CHKD: C/ORK 2008/12/15 APPR: J/MAGNELL 2008/12/15	QUALITY SYMBOLS ▽=0 ▽=0	GENERAL TOLERANCES (UNLESS SPECIFIED)		DIMENSION STYLE MM/IN		SCALE 2:1	DESIGN UNITS INCH	THIRD ANGLE PROJECTION
		4 PLACES ± .005 3 PLACES ± .005 2 PLACES ± .01 1 PLACE ± .03	± .005 ± .01 ± .03	DRAWN BY R. STONE CHECKED BY R. KEMP APPROVED BY P. WALTZ	DATE 2003/03/25 DATE 2003/03/26 DATE 2003/03/28	TITLE 11.13/.438" BTS, 600V PC TAIL W/STD TURRET & MTG ENDS (63A3XX)	MOLEX INCORPORATED	MATERIAL NO. SEE CHART
DRAFT WHERE APPLICABLE MUST REMAIN WITHIN DIMENSIONS		THIS DRAWING CONTAINS INFORMATION THAT IS PROPRIETARY TO MOLEX INCORPORATED AND SHOULD NOT BE USED WITHOUT WRITTEN PERMISSION						