



Distributor of Molex Connector Corporation: Excellent Integrated System Limited
Datasheet of 0386309607 - Connector Barrier Block Strip 7 Circuit 0.438" (11.12mm)

Contact us: sales@integrated-circuit.com Website: www.integrated-circuit.com

Excellent Integrated System Limited

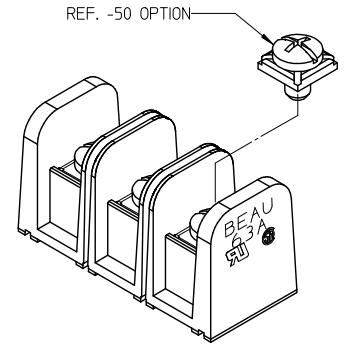
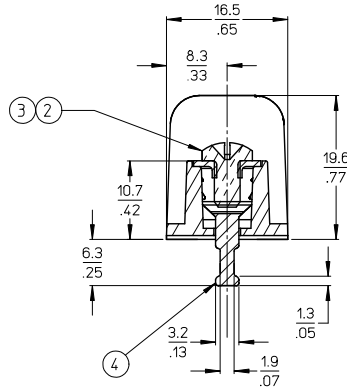
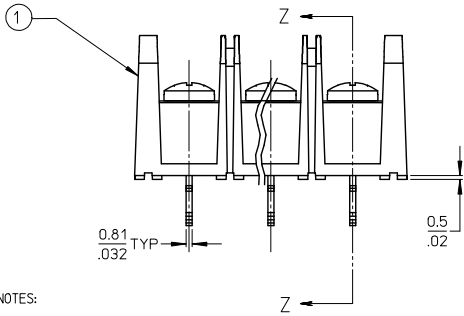
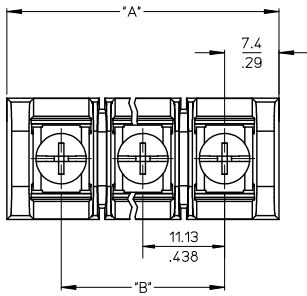
Stocking Distributor

Click to view price, real time Inventory, Delivery & Lifecycle Information:

[Molex Connector Corporation](#)
[0386309607](#)

For any questions, you can email us directly:
sales@integrated-circuit.com

10 9 8 7 6 5 4 3 2 38630



MATERIAL NUMBER (STD.)	MATERIAL NUMBER (-50)	NO. OF CIRCUITS	A	B
386309602	386310802	2	25.9 (1.02)	11.13 (4.38)
386309603	386310803	3	37.1 (1.46)	22.22 (8.75)
386309604	386310804	4	48.3 (1.90)	33.35 (1.313)
386309605	386310805	5	59.2 (2.33)	44.45 (1.750)
386309606	386310806	6	70.4 (2.77)	55.57 (2.188)
386309607	386310807	7	81.5 (3.21)	66.67 (2.625)
386309608	386310808	8	92.7 (3.65)	77.80 (3.063)
386309409	386310809	9	103.6 (4.08)	88.90 (3.500)
386309610	386310810	10	114.8 (4.52)	100.03 (3.938)
386309611	386310811	11	125.9 (4.96)	111.13 (4.375)
386309612	386310812	12	137.2 (5.40)	122.25 (4.813)
386309613	386310813	13	148.1 (5.83)	133.35 (5.250)
386309614	386310814	14	159.3 (6.27)	144.45 (5.687)
386309615	386310815	15	170.4 (6.71)	155.58 (6.125)
386309616	386310816	16	181.6 (7.15)	166.70 (6.563)

- NOTES:
1. MATERIAL: SEE TABLE
 2. FINISHES: SEE TABLE
 3. PRODUCT SPECIFICATION: NOT REQUIRED
 4. PACKAGING: NOT REQUIRED
 5. MATES WITH: NONE
 6. "XX" REFERS TO QTY. OF CIRCUITS
 7. ROHS COMPLIANT (B)

ITEM	QTY.	DESCRIPTION	MATERIAL	FINISH
4	XX	TERMINAL, SOLDER TAIL, SHORT	BRASS	TIN PLATE
3	XX	SCREW/WSHR #6-32X.250 PAN, PH-SL (-50)	STEEL (B)	ZN, CLEAR CHROMATE
2	XX	SCREW #6-32X.250 BHD, PH-SL (STD.)	STEEL (B)	ZN, CLEAR CHROMATE
1	1	BARRIER TERMINAL STRIP	(B) POLYESTER (PBT)	BLACK

UPDATE MAT. DESCRIP. EC NO: WNA2009-0085 2008/11/25 DRAWING: JENGLINS 2008/12/15 CHKDC: TORR 2008/12/15 APPR: JIMONEIL 2008/12/15	QUALITY SYMBOLS ▽=0 ▽=0	GENERAL TOLERANCES (UNLESS SPECIFIED)	DIMENSION STYLE MM/IN	SCALE 2:1	DESIGN UNITS INCH	THIRD ANGLE PROJECTION																
		<table border="1"> <thead> <tr> <th></th> <th>mm</th> <th>INCH</th> </tr> </thead> <tbody> <tr> <td>4 PLACES</td> <td>± .13</td> <td>± .005</td> </tr> <tr> <td>3 PLACES</td> <td>± .13</td> <td>± .01</td> </tr> <tr> <td>2 PLACES</td> <td>± 0.3</td> <td>± .01</td> </tr> <tr> <td>1 PLACE</td> <td>± 0.3</td> <td>± .01</td> </tr> </tbody> </table> ANGULAR ± 2°		mm	INCH	4 PLACES	± .13	± .005	3 PLACES	± .13	± .01	2 PLACES	± 0.3	± .01	1 PLACE	± 0.3	± .01	DRAWN BY R. STONE DATE 2003/03/26	CHECKED BY R. KEMP DATE 2003/03/27	APPROVED BY P. WALTZ DATE 2003/03/28	TITLE 11.13/.438" BTS 600V SOLDER TAIL SHORT & NO MTG ENDS (63A6XX-C)	MATERIAL NO. SEE CHART
	mm	INCH																				
4 PLACES	± .13	± .005																				
3 PLACES	± .13	± .01																				
2 PLACES	± 0.3	± .01																				
1 PLACE	± 0.3	± .01																				
DRAFT WHERE APPLICABLE MUST REMAIN WITHIN DIMENSIONS		THIS DRAWING CONTAINS INFORMATION THAT IS PROPRIETARY TO MOLEX INCORPORATED AND SHOULD NOT BE USED WITHOUT WRITTEN PERMISSION																				