



Distributor of Molex Connector Corporation: Excellent Integrated System Limited
Datasheet of 0386390113 - Connector Barrier Block Strip 6 Circuit 0.438" (11.12mm)

Contact us: sales@integrated-circuit.com Website: www.integrated-circuit.com

Excellent Integrated System Limited

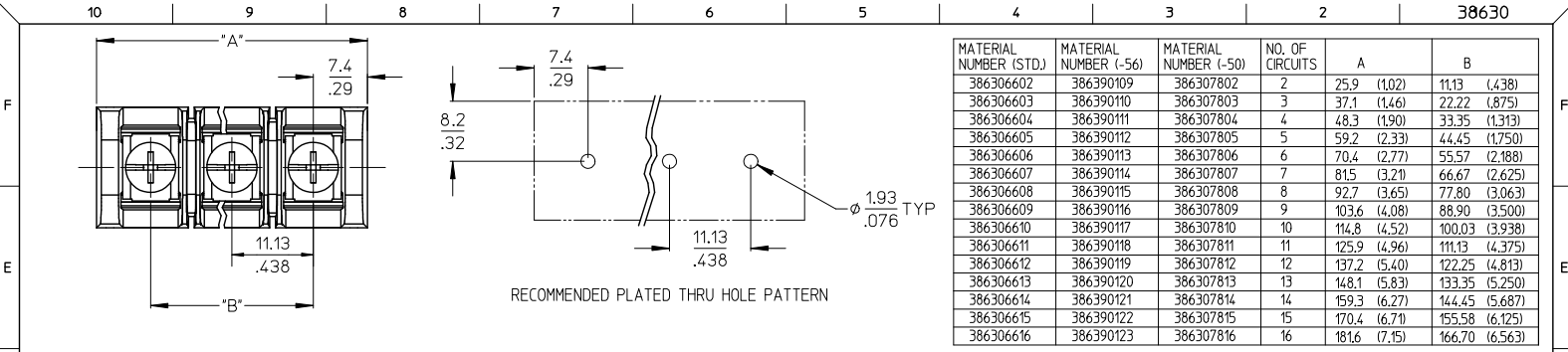
Stocking Distributor

Click to view price, real time Inventory, Delivery & Lifecycle Information:

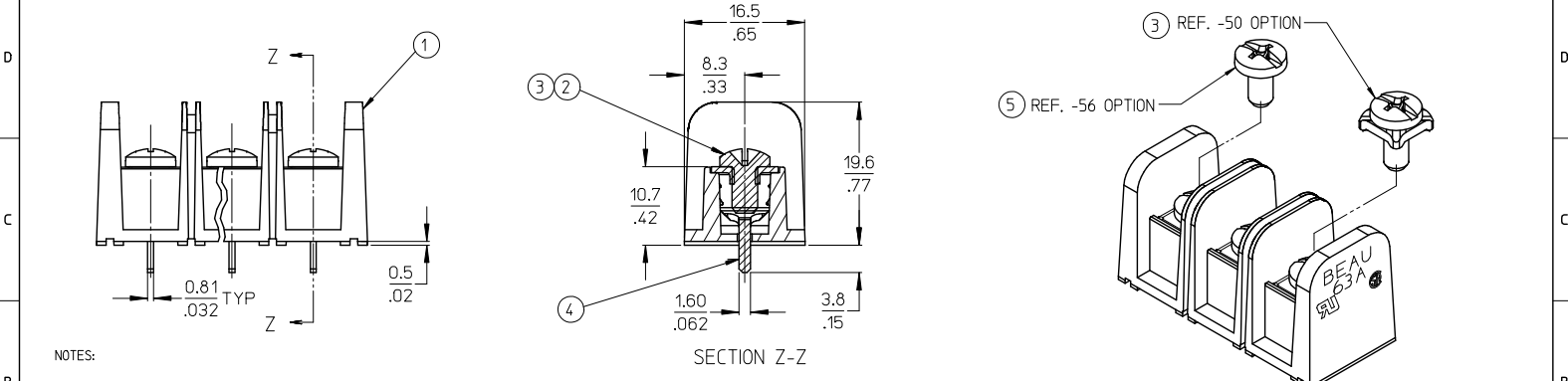
[Molex Connector Corporation](#)
[0386390113](#)

For any questions, you can email us directly:

sales@integrated-circuit.com



MATERIAL NUMBER (STD.)	MATERIAL NUMBER (-56)	MATERIAL NUMBER (-50)	NO. OF CIRCUITS	A		B	
386306602	386390109	386307802	2	25.9	(1.02)	11.13	(.438)
386306603	386390110	386307803	3	37.1	(1.46)	22.22	(.875)
386306604	386390111	386307804	4	48.3	(1.90)	33.35	(1.313)
386306605	386390112	386307805	5	59.2	(2.33)	44.45	(1.750)
386306606	386390113	386307806	6	70.4	(2.77)	55.57	(2.188)
386306607	386390114	386307807	7	81.5	(3.21)	66.67	(2.625)
386306608	386390115	386307808	8	92.7	(3.65)	77.80	(3.063)
386306609	386390116	386307809	9	103.6	(4.08)	88.90	(3.500)
386306610	386390117	386307810	10	114.8	(4.52)	100.03	(3.938)
386306611	386390118	386307811	11	125.9	(4.96)	111.13	(4.375)
386306612	386390119	386307812	12	137.2	(5.40)	122.25	(4.813)
386306613	386390120	386307813	13	148.1	(5.83)	133.35	(5.250)
386306614	386390121	386307814	14	159.3	(6.27)	144.45	(5.687)
386306615	386390122	386307815	15	170.4	(6.71)	155.58	(6.125)
386306616	386390123	386307816	16	181.6	(7.15)	166.70	(6.563)



- NOTES:
1. MATERIAL: SEE TABLE
 2. FINISHES: SEE TABLE
 3. "XX" REFERS TO QTY. OF CIRCUITS.
 4. ASSEMBLY IS ROHS COMPLIANT.

ITEM	QTY.	DESCRIPTION	MATERIAL	FINISH
5	XX	SCREW #6-32X.250 BHD, PH-SL STAINLESS (-56 OPT)	STAINLESS STL	PASSIVATE
4	XX	TERMINAL, PC (SHORT)	BRASS	TIN PLATE
3	XX	SCREW/WSHR #6-32X.250 PAN, PH-SL (-50)	STEEL	ZN, CLEAR CHROMATE
2	XX	SCREW #6-32X.250 BHD, PH-SL (STD)	STEEL	ZN, CLEAR CHROMATE
1	1	BARRIER TERMINAL STRIP	POLYESTER (PBT)	BLACK

CHG SS SCREW DRIVE RECESS EC NO: IP522013-0364 2010/08/16 DRWING: L. YORK 2012/09/12 CHKD: M. L. L. 2012/11/05 APPR: J. M. L. L.	QUALITY SYMBOLS ▽=0 ▽=0	GENERAL TOLERANCES (UNLESS SPECIFIED)		DIMENSION STYLE MM/IN		SCALE 2:1	DESIGN UNITS INCH	THIRD ANGLE PROJECTION	
		4 PLACES ± .13 ± .01 3 PLACES ± .13 ± .01 2 PLACES ± .13 ± .01 1 PLACE ± .13 ± .01 ANGULAR ± 2°	mm INCH ± .13 ± .01 ± .13 ± .01 ± .13 ± .01 ± .13 ± .01	DRAWN BY R. STONE 2003/03/25	DATE 2003/03/25	TITLE 11.13/.438" PCB BTS 600V NO MTG ENDS, STD LENGTH (63A5XX-C)			
D REV	DESCRIPTION	DRAFT WHERE APPLICABLE MUST REMAIN WITHIN DIMENSIONS		APPROVED BY P. WALTZ 2003/03/28		MATERIAL NO. SEE CHART		DOCUMENT NO. SD-38630-008	SHEET NO. 1 OF 1
		THIS DRAWING CONTAINS INFORMATION THAT IS PROPRIETARY TO MOLEX INCORPORATED AND SHOULD NOT BE USED WITHOUT WRITTEN PERMISSION							