



**Distributor of Molex Connector Corporation: Excellent Integrated System Limited**

Datasheet of 0387291598 - Connector Barrier Block Strip 2 Circuit 0.375" (9.53mm)

Contact us: [sales@integrated-circuit.com](mailto:sales@integrated-circuit.com) Website: [www.integrated-circuit.com](http://www.integrated-circuit.com)

---

## **Excellent Integrated System Limited**

Stocking Distributor

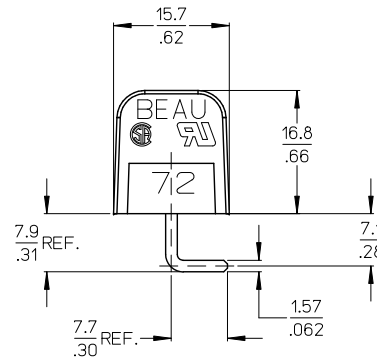
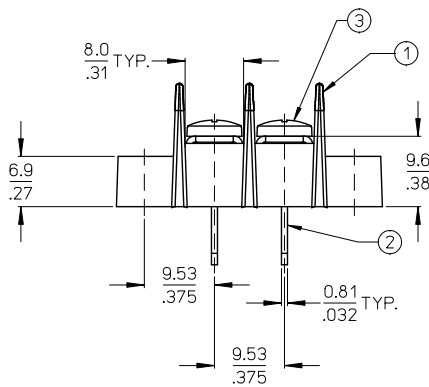
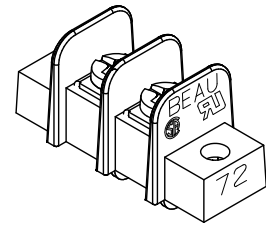
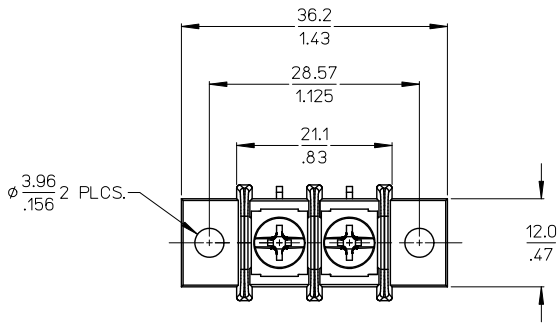
Click to view price, real time Inventory, Delivery & Lifecycle Information:

[Molex Connector Corporation](#)  
[0387291598](#)

For any questions, you can email us directly:

[sales@integrated-circuit.com](mailto:sales@integrated-circuit.com)

10 9 8 7 6 5 4 3 2 1



NOTES:  
 1. MATERIAL: SEE TABLE.  
 2. FINISHES: SEE TABLE.  
 3. PRODUCT SPECIFICATION: NOT REQUIRED.  
 4. ROHS COMPLIANT.

ITEM	QTY.	DESCRIPTION	MATERIAL	FINISH
3	2	SCREW,#6-32X.250 BHD,PHL-SLOT,SS	STAINLESS STEEL	PASSIVATED
2	2	TERMINAL, WW, LONG	BRASS	TIN PLATE
1	1	INSULATOR, SR, PC, SOLID MTG.	POLYESTER (PBT)	BLACK

CHANGE SCREW, REDRAWN	DESCRIPTION
EC NO: WNA2011-0086	QUALITY SYMBOLS
DRWN: JENCINAS 2010/09/03	▽=0
CHKD: JENCINAS 2010/09/03	▽=0
APPR: JMACNEIL 2011/05/06	

GENERAL TOLERANCES (UNLESS SPECIFIED)	
mm	INCH
4 PLACES ± .005	± .0005
3 PLACES ± .010	± .0010
2 PLACES ± 0.13	± .010
1 PLACE ± 0.3	± .030
ANGULAR ± 2°	

DIMENSION STYLE	
MM/IN	SCALE
MM/IN	2:1
DESIGN UNITS	INCH
THIRD ANGLE PROJECTION	

TITLE	9.53/.375" SR BTS ASSY PCRA, SS SCREW,SOLID MTG (72802-E-56-R30-55)
DRAWN BY	JENCINAS
DATE	2010/09/01
CHECKED BY	CLYORK
DATE	2010/09/01
APPROVED BY	JMACNEIL
DATE	2011/05/06
MATERIAL NO.	387291598
DOCUMENT NO.	SD-38729-1598
MOLEX	MOLEX INCORPORATED
SHEET NO.	1 OF 1

1b\_frame\_B\_P\_ME\_T Rev. E 2006/04/15

9 8 7 6 5 4 3 2 1