



Distributor of Molex Connector Corporation: Excellent Integrated System Limited
Datasheet of 0387303103 - Connector Barrier Block Strip 3 Circuit 0.438" (11.12mm)

Contact us: sales@integrated-circuit.com Website: www.integrated-circuit.com

Excellent Integrated System Limited

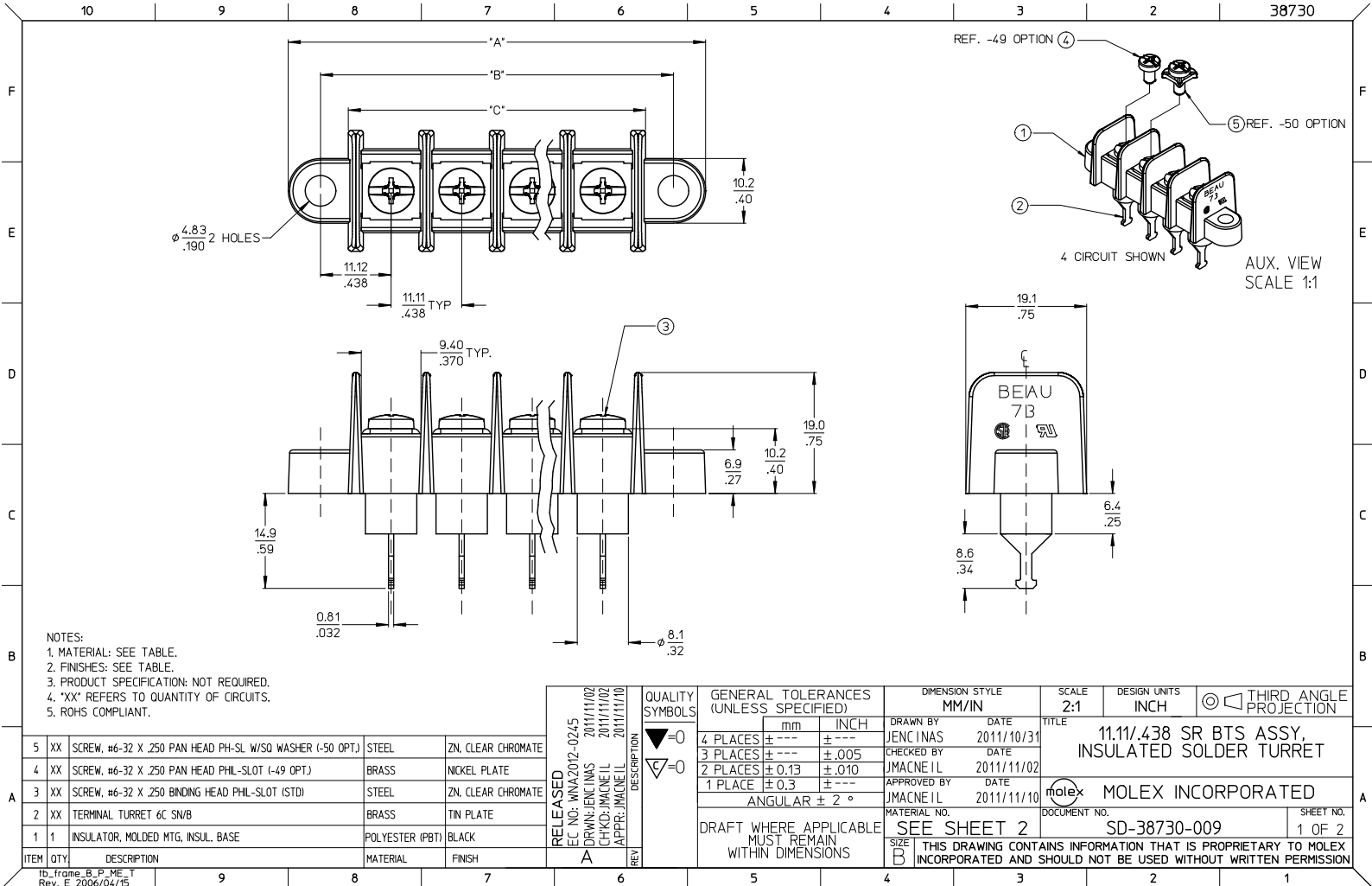
Stocking Distributor

Click to view price, real time Inventory, Delivery & Lifecycle Information:

[Molex Connector Corporation](#)
[0387303103](#)

For any questions, you can email us directly:

sales@integrated-circuit.com



10 9 8 7 6 5 4 3 2 38730

# OF CIRC. "XX"	DIM. "A"		DIM. "B"		DIM. "C"		MATERIAL NO. (STD)	MATERIAL NO. (-49)	MATERIAL NO. (-50)
02	43.5	[1.71]	33.34	[1.313]	24.5	[0.97]	387303102	387303402	387303702
03	54.6	[2.15]	44.45	[1.750]	35.7	[1.40]	387303103	387303403	387303703
04	65.7	[2.59]	55.56	[2.188]	46.8	[1.84]	387303104	387303404	387303704
05	76.8	[3.03]	66.68	[2.625]	57.9	[2.28]	387303105	387303405	387303705
06	87.9	[3.46]	77.79	[3.063]	69.0	[2.72]	387303106	387303406	387303706
07	99.1	[3.90]	88.90	[3.500]	80.1	[3.15]	387303107	387303407	387303707
08	110.2	[4.34]	100.01	[3.938]	91.2	[3.59]	387303108	387303408	387303708
09	121.3	[4.78]	111.13	[4.375]	102.3	[4.03]	387303109	387303409	387303709
10	132.4	[5.21]	122.24	[4.813]	113.4	[4.47]	387303110	387303410	387303710
11	143.5	[5.65]	133.35	[5.250]	124.6	[4.90]	387303111	387303411	387303711
12	154.6	[6.09]	144.46	[5.688]	135.7	[5.34]	387303112	387303412	387303712
13	165.7	[6.53]	155.58	[6.125]	146.8	[5.78]	387303113	387303413	387303713
14	176.8	[6.96]	166.69	[6.563]	157.9	[6.22]	387303114	387303414	387303714
15	188.0	[7.40]	177.80	[7.000]	169.0	[6.65]	387303115	387303415	387303715
16	199.1	[7.84]	188.91	[7.438]	180.1	[7.09]	387303116	387303416	387303716
17	210.2	[8.28]	200.03	[7.875]	191.2	[7.53]	387303117	387303417	387303717
18	221.3	[8.71]	211.14	[8.313]	202.3	[7.97]	387303118	387303418	387303718
19	232.4	[9.15]	222.25	[8.750]	213.5	[8.40]	387303119	387303419	387303719
20	243.5	[9.59]	233.36	[9.188]	224.6	[8.84]	387303120	387303420	387303720
21	254.6	[10.03]	244.48	[9.625]	235.7	[9.28]	387303121	387303421	387303721
22	265.7	[10.46]	255.59	[10.063]	246.8	[9.72]	387303122	387303422	387303722
23	276.8	[10.90]	266.70	[10.500]	257.9	[10.15]	387303123	387303423	387303723
24	288.0	[11.34]	277.81	[10.938]	269.0	[10.59]	387303124	387303424	387303724
25	299.1	[11.78]	288.93	[11.375]	280.1	[11.03]	387303125	387303425	387303725
26	310.2	[12.21]	300.04	[11.813]	291.2	[11.47]	387303126	387303426	387303726
27	321.3	[12.65]	311.15	[12.250]	302.3	[11.90]	387303127	387303427	387303727
28	332.4	[13.09]	322.26	[12.688]	313.5	[12.34]	387303128	387303428	387303728
29	343.5	[13.53]	333.38	[13.125]	324.6	[12.78]	387303129	387303429	387303729
30	354.6	[13.96]	344.49	[13.563]	335.7	[13.22]	387303130	387303430	387303730

SEE SHEET #1 EC NO: WNA2012-0245 DRAWN: JENC INAS 2011/11/01 CHKD: JMACNEIL 2011/11/02 APPR: JMACNEIL 2011/11/10 REV A	QUALITY SYMBOLS = 0 = 0	GENERAL TOLERANCES (UNLESS SPECIFIED)		DIMENSION STYLE		SCALE	DESIGN UNITS	THIRD ANGLE PROJECTION
				MM/IN		2:1	INCH	
				DRAWN BY JENC INAS DATE 2011/11/01		TITLE		
				CHECKED BY JMACNEIL DATE 2011/11/02		11.11/438 SR BTS ASSY, INSULATED SOLDER TURRET		
		APPROVED BY JMACNEIL DATE 2011/11/10		MATERIAL NO.		DOCUMENT NO.		SHEET NO.
		ANGULAR ± 2°		SEE CHART		MOLEX INCORPORATED		2 OF 2
		DRAFT WHERE APPLICABLE MUST REMAIN WITHIN DIMENSIONS		THIS DRAWING CONTAINS INFORMATION THAT IS PROPRIETARY TO MOLEX INCORPORATED AND SHOULD NOT BE USED WITHOUT WRITTEN PERMISSION		SD-38730-009		

9 8 7 6 5 4 3 2 1