



**Distributor of Molex Connector Corporation: Excellent Integrated System Limited**  
Datasheet of 0387112219 - Connector Barrier Block Strip 19 Circuit 0.375" (9.53mm)

Contact us: [sales@integrated-circuit.com](mailto:sales@integrated-circuit.com) Website: [www.integrated-circuit.com](http://www.integrated-circuit.com)

---

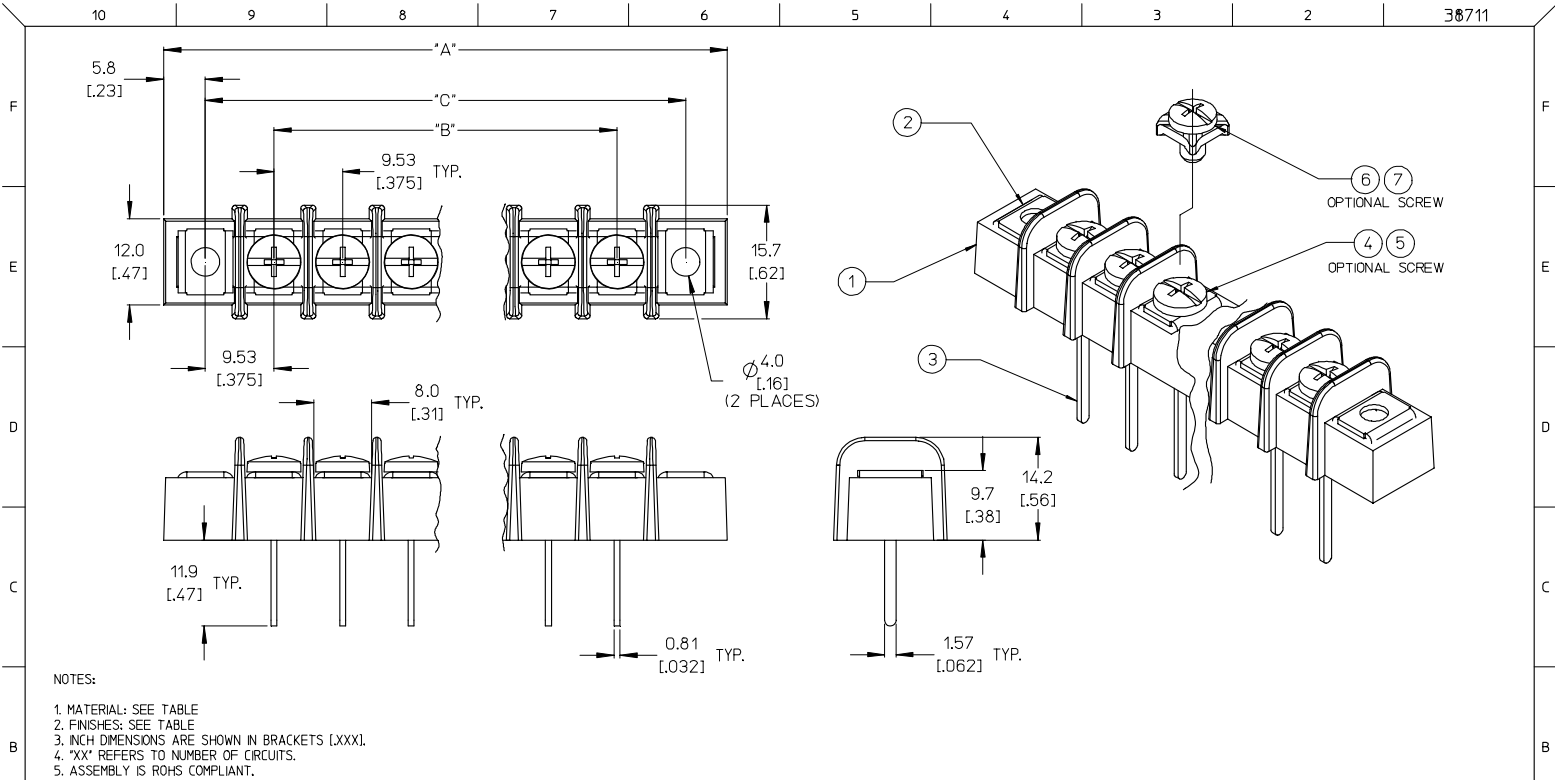
## **Excellent Integrated System Limited**

Stocking Distributor

Click to view price, real time Inventory, Delivery & Lifecycle Information:

[Molex Connector Corporation](#)  
[0387112219](#)

For any questions, you can email us directly:  
[sales@integrated-circuit.com](mailto:sales@integrated-circuit.com)



NOTES:

1. MATERIAL: SEE TABLE
2. FINISHES: SEE TABLE
3. INCH DIMENSIONS ARE SHOWN IN BRACKETS [XXX].
4. \*XX\* REFERS TO NUMBER OF CIRCUITS.
5. ASSEMBLY IS ROHS COMPLIANT.

ITEM	QTY.	DESCRIPTION	MATERIAL	FINISH
7	XX	#6-32 PH/SLOTTED SCREW W/ WASHER (OPT -49,-50)	BRASS	NICKEL PLATE
6	XX	#6-32 PH/SLOTTED SCREW W/ WASHER (OPT -50)	STEEL	ZN. CLEAR CHROMATE
5	XX	#6-32 PH/SLOTTED SCREW (OPT -49)	BRASS	NICKEL PLATE
4	XX	#6-32 PH/SLOTTED SCREW (STANDARD)	STEEL	ZN. CLEAR CHROMATE
3	XX	TERMINAL, WW	BRASS	TIN PLATE
2	2	MOUNTING PLATE	BRASS	NICKEL PLATE
1	1	INSULATOR	PBT	BLACK

INITIAL RELEASE	EC NO.	DATE	DESCRIPTION	QUALITY SYMBOLS	GENERAL TOLERANCES (UNLESS SPECIFIED)	DIMENSION STYLE	SCALE	DESIGN UNITS	THIRD ANGLE PROJECTION
EC NO. ETC2007-0344	2007/01/10	2007/03/20	DRWING:YORK	▽=0	4 PLACES ± --- ± ---	MM/IN	2:1	INCH	THIRD ANGLE PROJECTION
CHKD:JMACNEIL	2007/01/27	2007/03/20	APPR:JMACNEIL	▽=0	3 PLACES ± --- ± ---				
					2 PLACES ± 0.13 ± .01				
					1 PLACE ± 0.3 ± ---				
					ANGULAR ± 2 °				

DRAWN BY	DATE	TITLE
C. YORK	2007/03/20	9.53MM [.375] SR BTS, WW ASSY, LOW PROFILE
CHECKED BY	DATE	
JMACNEIL	2007/03/20	
APPROVED BY	DATE	
JMACNEIL	2007/03/20	

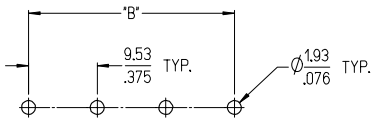
MATERIAL NO.	DOCUMENT NO.	SHEET NO.
SEE SHT. 2	SD-38711-003	1 OF 2

DRAFT WHERE APPLICABLE MUST REMAIN WITHIN DIMENSIONS

THIS DRAWING CONTAINS INFORMATION THAT IS PROPRIETARY TO MOLEX INCORPORATED AND SHOULD NOT BE USED WITHOUT WRITTEN PERMISSION

10 9 8 7 6 5 4 3 2 38711

MATERIAL NO. (OPT -49,-50)	MATERIAL NO. (OPT -49)	MATERIAL NO. (OPT -50)	MATERIAL NO. (STANDARD)	NUMBER OF CIRCUITS "XX"	DIM. "A"	DIM. "B"	DIM. "C"
38719-0466	38711-2802	38711-3402	38711-2202	02	40.2 (1.58)	9.53 (.375)	28.6 (1.13)
	38711-2803	38711-3403	38711-2203	03	49.7 (1.96)	19.05 (.750)	38.1 (1.50)
38719-0614	38711-2804	38711-3404	38711-2204	04	59.2 (2.33)	28.58 (1.125)	47.6 (1.88)
	38711-2805	38711-3405	38711-2205	05	68.7 (2.71)	38.10 (1.500)	57.2 (2.25)
38719-0467	38711-2806	38711-3406	38711-2206	06	78.3 (3.08)	47.63 (1.875)	66.7 (2.63)
38719-0468	38711-2807	38711-3407	38711-2207	07	87.8 (3.46)	57.15 (2.250)	76.2 (3.00)
	38711-2808	38711-3408	38711-2208	08	97.3 (3.83)	66.68 (2.625)	85.7 (3.38)
38719-0469	38711-2809	38711-3409	38711-2209	09	106.8 (4.21)	76.20 (3.000)	95.3 (3.75)
	38711-2810	38711-3410	38711-2210	10	116.4 (4.58)	85.73 (3.375)	104.8 (4.13)
	38711-2811	38711-3411	38711-2211	11	125.9 (4.96)	95.25 (3.750)	114.3 (4.50)
	38711-2812	38711-3412	38711-2212	12	135.4 (5.33)	104.78 (4.125)	123.8 (4.88)
	38711-2813	38711-3413	38711-2213	13	144.9 (5.71)	114.30 (4.500)	133.4 (5.25)
	38711-2814	38711-3414	38711-2214	14	154.5 (6.08)	123.83 (4.875)	142.9 (5.63)
	38711-2815	38711-3415	38711-2215	15	164.0 (6.46)	133.35 (5.250)	152.4 (6.00)
	38711-2816	38711-3416	38711-2216	16	173.5 (6.83)	142.88 (5.625)	161.9 (6.38)
	38711-2817	38711-3417	38711-2217	17	183.0 (7.21)	152.40 (6.000)	171.5 (6.75)
	38711-2818	38711-3418	38711-2218	18	192.6 (7.58)	161.93 (6.375)	181.0 (7.13)
	38711-2819	38711-3419	38711-2219	19	202.1 (7.96)	171.45 (6.750)	190.5 (7.50)
	38711-2820	38711-3420	38711-2220	20	211.6 (8.33)	180.98 (7.125)	200.0 (7.88)
	38711-2821	38711-3421	38711-2221	21	221.1 (8.71)	190.50 (7.500)	209.6 (8.25)
	38711-2822	38711-3422	38711-2222	22	230.7 (9.08)	200.03 (7.875)	219.1 (8.63)
	38711-2823	38711-3423	38711-2223	23	240.2 (9.46)	209.55 (8.250)	228.6 (9.00)
	38711-2824	38711-3424	38711-2224	24	249.7 (9.83)	219.08 (8.625)	238.1 (9.38)
	38711-2825	38711-3425	38711-2225	25	259.2 (10.21)	228.60 (9.000)	247.7 (9.75)
	38711-2826	38711-3426	38711-2226	26	268.8 (10.58)	238.13 (9.375)	257.2 (10.13)



RECOMMENDED PCB LAYOUT

SEE SHEET 1 IEC NO: EIC2007-0344 DRAWN BY: C. YORK 2007/03/20 CHECKED BY: JMACNEIL 2007/03/20 APPR: JMACNEIL 2007/03/20 REV: A	QUALITY SYMBOLS ▽=0 ▽=0	GENERAL TOLERANCES (UNLESS SPECIFIED)		DIMENSION STYLE MM/IN		SCALE 2:1	DESIGN UNITS INCH	THIRD ANGLE PROJECTION
		4 PLACES ± --- ± ---	3 PLACES ± --- ± .005	2 PLACES ± 0.13 ± .01	1 PLACE ± 0.3 ± ---	DRAWN BY C. YORK	DATE 2007/03/20	TITLE 9.53MM [.375] SR BTS, WW ASSY, LOW PROFILE
		ANGULAR ± 2°				CHECKED BY JMACNEIL	DATE 2007/03/20	MOLEX INCORPORATED
		DRAFT WHERE APPLICABLE MUST REMAIN WITHIN DIMENSIONS		APPROVED BY JMACNEIL		DATE 2007/03/20	MATERIAL NO. SD-38711-003	

9 8 7 6 5 4 3 2 1