

Excellent Integrated System Limited

Stocking Distributor

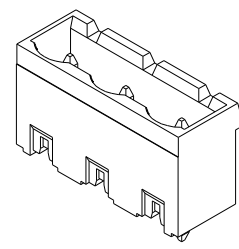
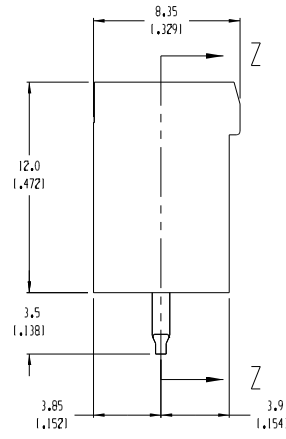
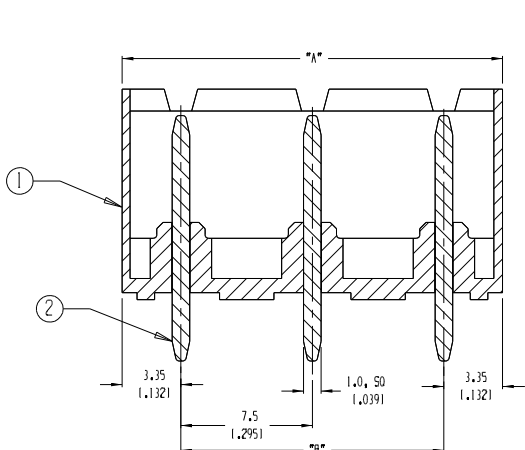
Click to view price, real time Inventory, Delivery & Lifecycle Information:

[Molex Connector Corporation](#)
[0393720004](#)

For any questions, you can email us directly:

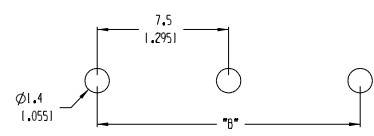
sales@integrated-circuit.com

SD-39372-001



AUX. VIEW
SCALE 3:1

SECTION Z-Z



MATERIAL NUMBER	NUMBER OF CIRCUITS "XX"	A		B	
039372-0002	2	14.2	10.561	7.50	1.2951
039372-0003	3	21.7	10.851	15.00	1.5911
039372-0004	4	29.2	11.151	22.50	1.8861
039372-0005	5	36.7	11.441	30.00	1.1811
039372-0006	6	44.2	11.741	37.50	1.14761
039372-0007	7	51.7	12.041	45.00	1.17721
039372-0008	8	59.2	12.331	52.50	1.20671
039372-0009	9	66.7	12.631	60.00	1.23621
039372-0010	10	74.2	12.921	67.50	1.26571
039372-0011	11	81.7	13.221	75.00	1.29531
039372-0012	12	89.2	13.511	82.50	1.32481

- NOTES:
1. MATERIAL: SEE TABLE
 2. FINISHES: SEE TABLE
 3. PRODUCT SPECIFICATION: NOT REQUIRED
 4. PACKAGING: NOT REQUIRED
 5. MATES WITH: 7.5MM PLUGS
 6. "XX" - REFERS TO THE NUMBER OF CIRCUIT POSITIONS

ECN# 3846
CY 09-03-04
DRAWN: CHY
CHK: K
APPR: S
REV: B

QUALITY SYMBOLS:
MAJOR
CRITICAL
SPECIAL
S

GENERAL TOLERANCES (UNLESS SPECIFIED)		SCALE	DESIGN UNITS
4 PLACES	±0.015	5:1	<input type="checkbox"/> mm <input checked="" type="checkbox"/> INCH
3 PLACES	±0.038		
2 PLACES	±0.13		
1 PLACE	±0.3		
ANGULAR: ±2°			

PROJECT NO. - - -
DIMENSIONS: mm INCH mm ONLY mm ONLY

DRAWN BY & DATE: HOWARD 07/18/03
CHECKED BY & DATE: R. KEMP 07/22/03
APPROVED BY & DATE: P. WALTZ 07/22/03

CAD FILENAME: 3716XX

TITLE: 7.5MM STRAIGHT, HEADER, BLACK

MATERIAL NO. SEE CHART
DRAWING NO. SD-39372-001
SHEET NO. 1 OF 1

THIS DRAWING CONTAINS INFORMATION THAT IS PROPRIETARY TO MOLEX INCORPORATED AND SHOULD NOT BE USED WITHOUT WRITTEN PERMISSION.

ITEM	QTY.	DESCRIPTION	MATERIAL	FINISH
2	XX	PIN	PHOS. BRONZE	TIN-PLATED
1	1	HOUSING	POLYIMIDE	BLACK