

Excellent Integrated System Limited

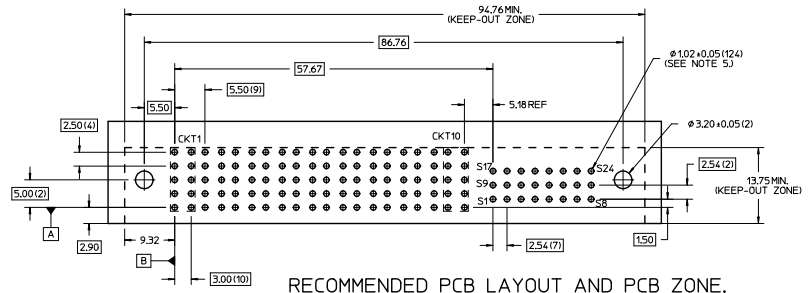
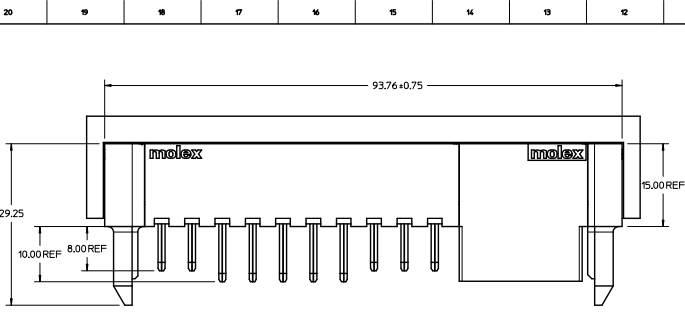
Stocking Distributor

Click to view price, real time Inventory, Delivery & Lifecycle Information:

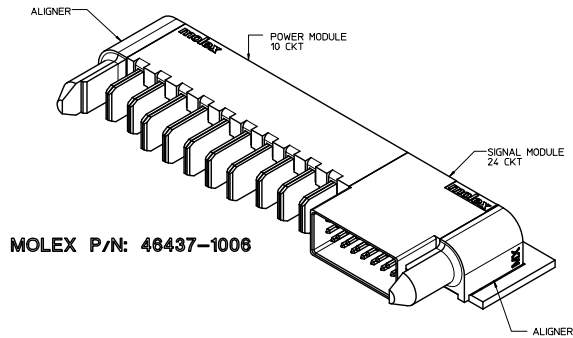
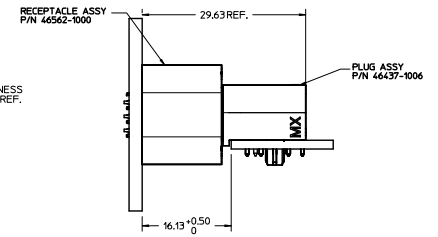
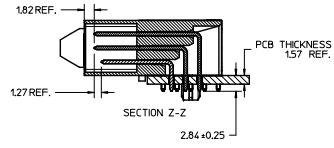
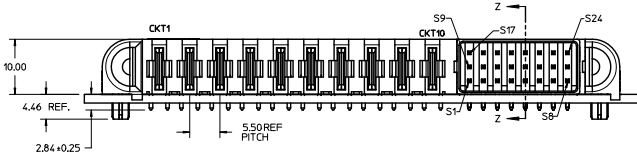
[Molex Connector Corporation](#)
[0464371006](#)

For any questions, you can email us directly:

sales@integrated-circuit.com



RECOMMENDED PCB LAYOUT AND PCB ZONE.



MOLEX P/N: 46437-1006

NOTES:

- MATERIAL:**
-HOUSINGS: LCP UL-94, V-0, COLOR: BLACK
-TERMINALS: COPPER ALLOY
-PLATING: .00127 NICKEL OVERALL WITH 0.00254 SELECTIVE TIN ON SOLDER TAILS AND 0.000762 SELECTIVE GOLD ON CONTACT AREA.
- PACKAGING:** ASSEMBLIES TO BE TRAY PACKED. QTY TBD.
- PRODUCT SPEC:** PS-46436-100.
- APPLICATION SPEC:** AS-46436-100.
- PC BOARD:** REQUIRES SOLDER THRU HOLES. REFER TO PS-46436-100 FOR DETAILS.
- SEE PRODUCT SPEC FOR R&HS REQUIREMENTS.**
- ASSEMBLY MATES TO MOLEX RECEPTACLES ASSEMBLY P/N: 46436-1006 (R/A ASSY) AND 46562-1000 (VERTICAL ASSY).**

QUALITY SYMBOLS	GENERAL TOLERANCES (UNLESS SPECIFIED)		DIMENSION STYLE		SCALE	DESIGN UNITS	THIRD ANGLE PROJECTION
	mm	INCH	MM ONLY	DATE			
4 PLACES	±.01	±.0005	DRAWN BY	DATE	3:1	METRIC	R/A PLUG ASSY 10P 24S
3 PLACES	±.02	±.001	CHKD BY	DATE			
2 PLACES	±.05	±.002	APPROVED BY	DATE			TEN60 POWER FAMILY
1 PLACE	±.10	±.005	APATEL	2007/05/15			MOLEX INCORPORATED
ANGULAR ±1/2°			MATERIAL NO.		DOCUMENT NO.		SHEET NO.
DRAFT WHERE APPLICABLE MUST REMAIN WITHIN DIMENSIONS			46437-1006		SD-46437-1006		1 OF 1
THIS DRAWING CONTAINS INFORMATION THAT IS PROPRIETARY TO MOLEX INCORPORATED AND SHOULD NOT BE USED WITHOUT WRITTEN PERMISSION							