

Excellent Integrated System Limited

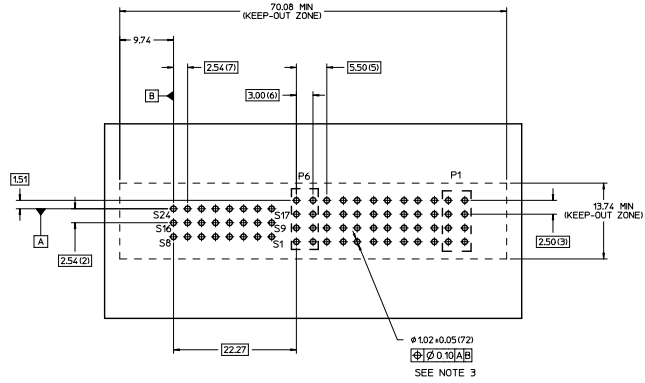
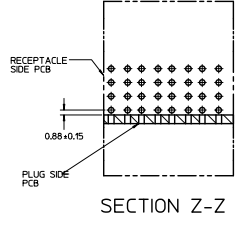
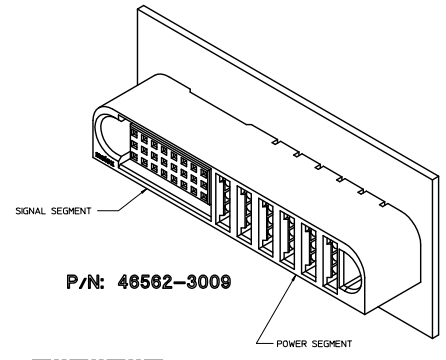
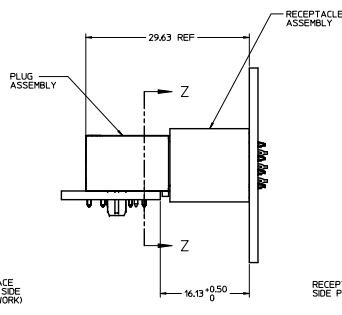
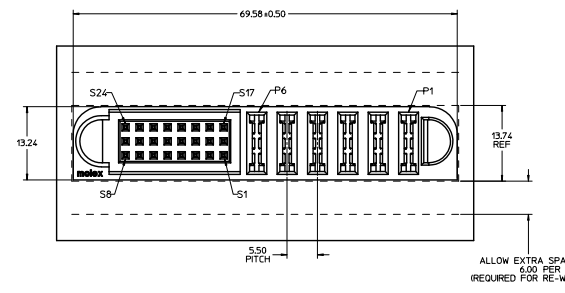
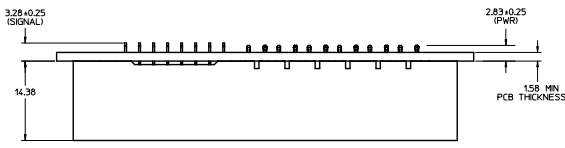
Stocking Distributor

Click to view price, real time Inventory, Delivery & Lifecycle Information:

[Molex Connector Corporation](#)
[0465623009](#)

For any questions, you can email us directly:
sales@integrated-circuit.com

20 19 18 17 16 15 14 13 12 11 10 9 8 7 6 5 4 3 2 1



- NOTES:
1. MATERIAL:
 - HOUSINGS: LCP UL94 V-0, COLOR: BLACK.
 - TERMINALS: COPPER ALLOY.
 - PLATING: 0.000127 NICKEL OVERALL WITH 0.00254 SELECTIVE TIN ON COMPLIANT PINS. AND 0.000762 SELECTIVE GOLD ON CONTACT AREA.
 2. ASSEMBLES PACKED IN TRAYS. SPQ: TBD.
 3. PC BOARD REQUIRES THRU HOLES, REFER TO PS-46436-100 FOR DETAILS.
 4. PRODUCT SPEC: PS-46436-100.
 5. APPLICATION SPEC: AS-46436-100.
 6. PRODUCT TO MEET RoHS REQUIREMENTS.
 7. ASSEMBLY MATES WITH PLUG ASSEMBLY, P/N 46437-3009.

UPDATE DESCRIPTION EC MOLE/EP200-783 DOR/NK/MAD/MS 2010/01/22 CHECKING 2010/02/08 APPROVAL 2010/02/10 MEX	QUALITY SYMBOLS		GENERAL TOLERANCES (UNLESS SPECIFIED)		DIMENSION STYLE MM ONLY		SCALE 3:1		DESIGN UNITS METRIC		THIRD ANGLE PROJECTION	
	4 PLACES ±--- ±---		mm INCH		DRAWN BY KJKOH		DATE 2009/03/11		TITLE VERT RECPT ASSY		G-6P-24S-G PRESS-FIT (B)	
	3 PLACES ±--- ±---		±--- ±---		CHECKED BY DATE		APPROVED BY DATE		MATERIAL NO. 46562-3009		DOCUMENT NO. SD-46562-309	
	2 PLACES ±0.25 ±---		±--- ±---		SHONG		MOLEX INCORPORATED		SHEET NO. 1 OF 1		INCORPORATED AND SHOULD NOT BE USED WITHOUT WRITTEN PERMISSION	

19 18 17 16 15 14 13 12 11 10 9 8 7 6 5 4 3 2 1