

Excellent Integrated System Limited

Stocking Distributor

Click to view price, real time Inventory, Delivery & Lifecycle Information:

[Molex Connector Corporation](#)
[0733860830](#)

For any questions, you can email us directly:

sales@integrated-circuit.com

MATERIALS AND FINISHES

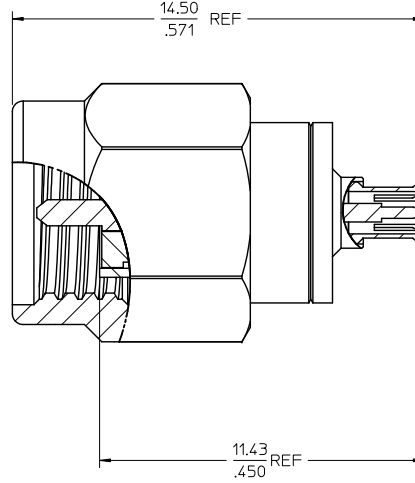
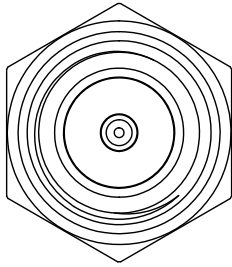
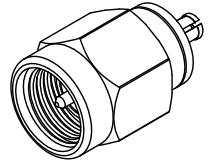
COUPLING NUT BRASS
PLATED GOLD

BODY BRASS
PLATED GOLD

CENTER CONTACT BRASS
PLATED GOLD

OUTER CONTACT BeCu
PLATED GOLD

INSULATOR TEFLON



73386-0831	73386-0830 ONE PIECE PER BAG
73386-0830	STANDARD
PART NO.	PACKAGING

ES-73599-0009-0001	INTERFACE SSMCX PLUG
MIL-STD-348A, FIG. 310.1	INTERFACE SMA PLUG
SPECIFICATION	DESCRIPTION

CHG: ADDED -0631
SINGLE BAG

EC NO: URF201-0651
DRAWN: JLEEDZ 2/11/05/04
CHKD: SSS 2/11/05/04
APPR: JMENER 2/11/05/05

QUALITY SYMBOLS
▽=0
▽=0

GENERAL TOLERANCES (UNLESS SPECIFIED)	
mm	INCH
4 PLACES ± .005	± .0002
3 PLACES ± .008	± .0003
2 PLACES ± .010	± .0004
1 PLACE ± .015	± .0006
ANGULAR ± .2 °	

DIMENSION STYLE	
MM/IN	SCALE
DRAWN BY JOHN	DATE 2004/5/27
CHECKED BY PAT	DATE 2004/5/27
APPROVED BY M1SEN	DATE 2005/4/27

DESIGN UNITS	THIRD ANGLE PROJECTION
METRIC	THIRD ANGLE PROJECTION
TITLE	
SSMCX ADAPTER SSMCX PLUG TO SMA PLUG BSA-SSMCX/SMA	
MOLEX INCORPORATED	
MATERIAL NO.	DOCUMENT NO.
SEE TABLE	SD-73386-083
SIZE C	THIS DRAWING CONTAINS INFORMATION THAT IS PROPRIETARY TO MOLEX INCORPORATED AND SHOULD NOT BE USED WITHOUT WRITTEN PERMISSION
SHEET NO.	1 OF 1