

Excellent Integrated System Limited

Stocking Distributor

Click to view price, real time Inventory, Delivery & Lifecycle Information:

[Molex Connector Corporation](#)
[0734130040](#)

For any questions, you can email us directly:

sales@integrated-circuit.com

MATERIALS AND FINISHES

PART NUMBERS 73413-0040, -0042, -0044

PART NUMBERS 73413-0041 AND -0043

BODY BRASS
PLATED SEE TABLE

BODY BERYLLIUM COPPER
PLATED SEE TABLE

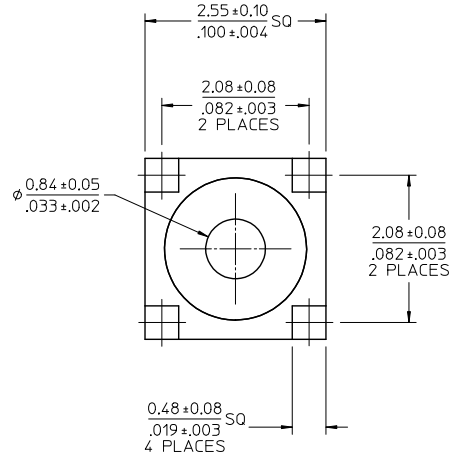
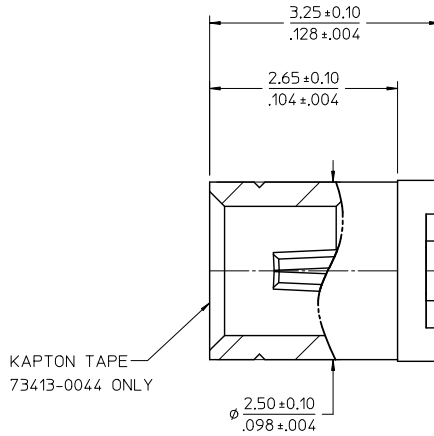
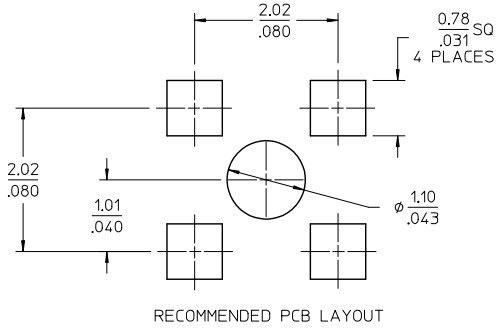
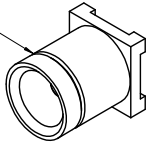
CENTER CONTACT BERYLLIUM COPPER
PLATED GOLD

CENTER CONTACT BERYLLIUM COPPER
PLATED GOLD

INSULATOR TEFLON

INSULATOR TEFLON

WITNESS MARK PRESENT
ON NON-MAGNETIC
VERSIONS ONLY

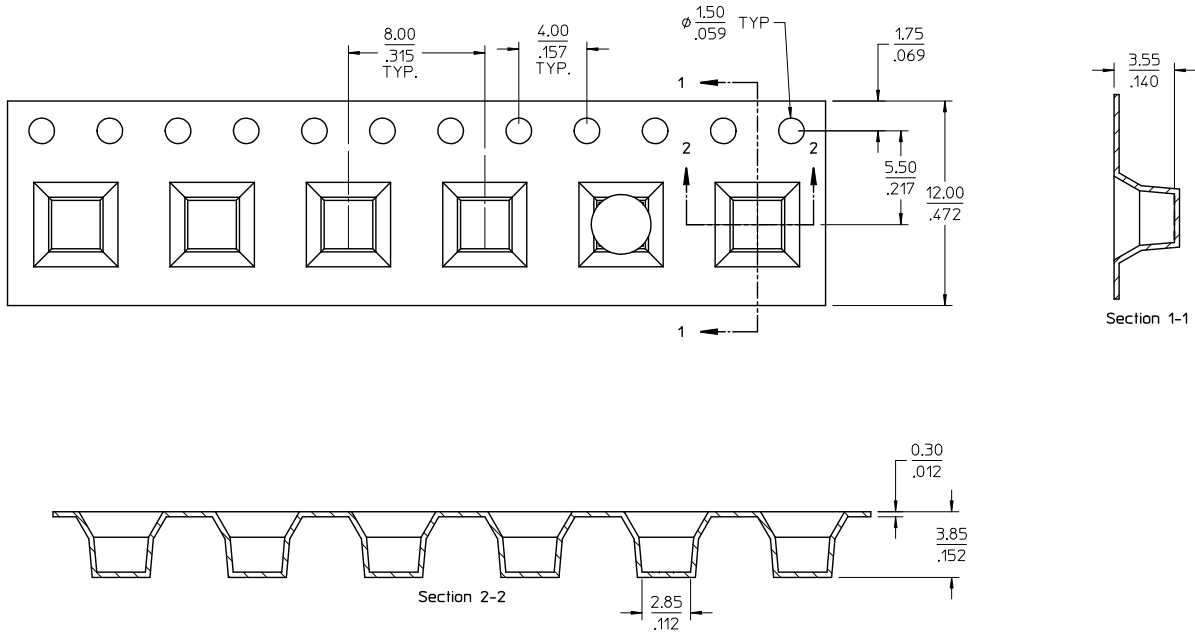


73413-0044	GENERAL	TAPE & REEL	GOLD
73413-0043	NON-MAGNETIC	TRAY	GOLD
73413-0042	GENERAL	SINGLE BAG	GOLD
73413-0041	NON-MAGNETIC	TRAY	TRI-M
73413-0040	GENERAL	TRAY	GOLD
PART NO.	MAG PROP	PACKAGING	BODY PLATING

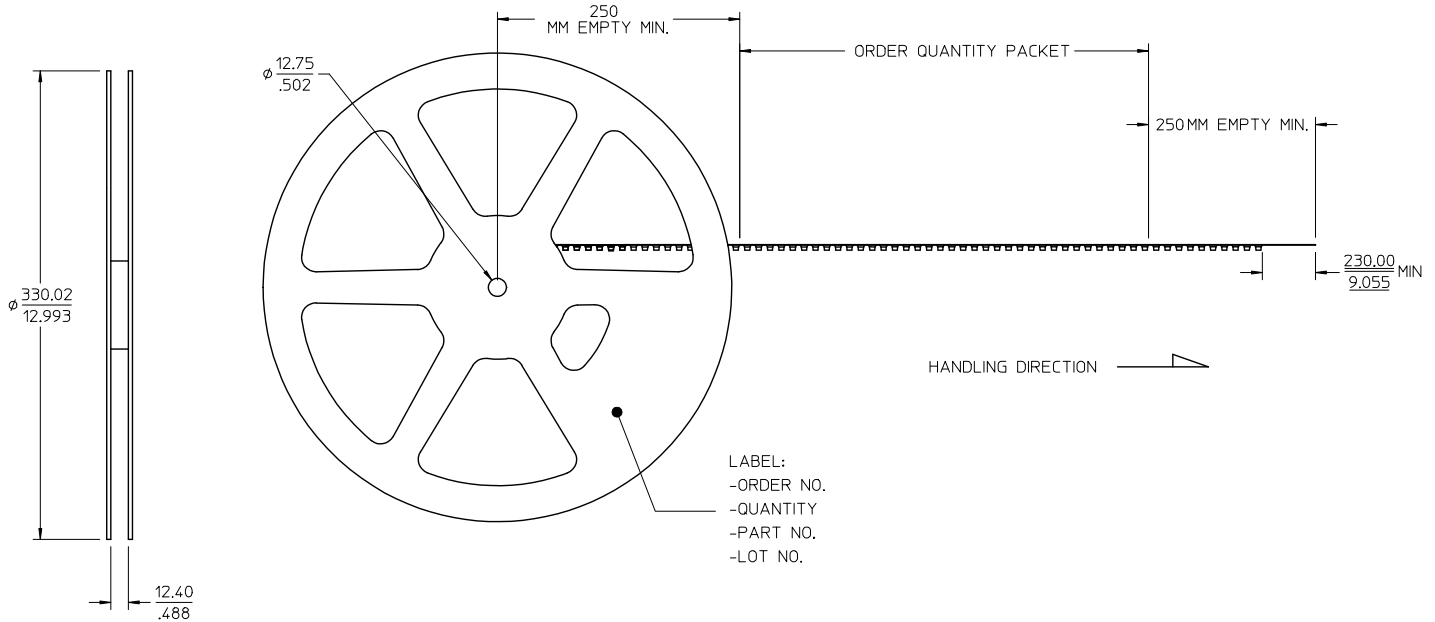
FOR 73413-0044 ONLY
REEL SIZE: 330mm (13")
TAPE WIDTH: 12mm (.47")
PARTS PER REEL: 2300

PS-89675-0320	PRODUCT SPECIFICATION
SPECIFICATION	DESCRIPTION

CHG: P/N 73413-0040-0043 73413-0041-0043 PACKING UPDATE TRAY WAS BULK EWR REF15-E190 EC NO: URF2015-0603 DRAWN: CHENG 2015/04/29 CHKD: APPR: YI CHENG 2015/04/29 DESCRIPTION	QUALITY SYMBOLS ▽=0 ▽=0	GENERAL TOLERANCES (UNLESS SPECIFIED)		DIMENSION STYLE MM/IN		SCALE	DESIGN UNITS	THIRD ANGLE PROJECTION	
		4 PLACES ± --- ± --- 3 PLACES ± --- ± --- 2 PLACES ± --- ± --- 1 PLACE ± --- ± --- ANGULAR ± 2 °	DRAWN BY JOHN 2005/03/24	CHECKED BY KERRIE 2005/03/24	APPROVED BY JWIENER 2010/10/21	TITLE SSMCX JACK PCB VERTICAL 50 OHM SSMCX-J/PCB EWR-3200	MOLEX INCORPORATED	MATERIAL NO. SEE TABLE	DOCUMENT NO. SD-73413-004
DRAFT WHERE APPLICABLE MUST REMAIN WITHIN DIMENSIONS		THIS DRAWING CONTAINS INFORMATION THAT IS PROPRIETARY TO MOLEX INCORPORATED AND SHOULD NOT BE USED WITHOUT WRITTEN PERMISSION							



CHISEE SHEET 1 EC NO: UNF2015-0603 DRAWN: YUEN 2015/04/29 CHKD: YUEN APPR: YUEN 2015/04/29 A8	QUALITY SYMBOLS ∇=0 ∇=0 ∇=0	GENERAL TOLERANCES (UNLESS SPECIFIED)		DIMENSION STYLE MM/IN		SCALE	DESIGN UNITS METRIC	THIRD ANGLE PROJECTION		
		4 PLACES ± --- ± ---	3 PLACES ± --- ± ---	2 PLACES ± --- ± ---	1 PLACE ± --- ± ---	0 PLACE ± --- ± ---	DRAWN BY JOHN 2005/03/24	CHECKED BY KERRIE 2005/03/24	APPROVED BY JWIENER 2010/10/21	TITLE SSMCX JACK PCB VERTICAL 50 OHM SSMCX-J/PCB EWR-3200
		ANGULAR ± 2 °		DRAFT WHERE APPLICABLE MUST REMAIN WITHIN DIMENSIONS		MATERIAL NO. SEE SHEET 1	DOCUMENT NO. SD-73413-004	SHEET NO. 2 OF 3		
		THIS DRAWING CONTAINS INFORMATION THAT IS PROPRIETARY TO MOLEX INCORPORATED AND SHOULD NOT BE USED WITHOUT WRITTEN PERMISSION								



CHG/SEE SHEET 1 EC NO: URF2015-0603 DRAWN: YI CHENG 2015/04/29 CHKD: YI CHENG APPR: YI CHENG 2015/04/29 REV: A8	QUALITY SYMBOLS	GENERAL TOLERANCES (UNLESS SPECIFIED)	DIMENSION STYLE	SCALE	DESIGN UNITS	THIRD ANGLE PROJECTION
	∇=0 ∇=0 ∇=0	mm INCH 4 PLACES ± --- ± --- 3 PLACES ± --- ± --- 2 PLACES ± --- ± --- 1 PLACE ± --- ± --- 0 PLACE ± --- ± ---	MM/IN	1:2	METRIC	SSMCX JACK PCB VERTICAL 50 OHM SSMCX-J/PCB EWR-3200 molex
	ANGULAR ± 2 ° DRAFT WHERE APPLICABLE MUST REMAIN WITHIN DIMENSIONS	DRAWN BY JOHN DATE 2005/03/24 CHECKED BY KERRIE DATE 2005/03/24 APPROVED BY JWIENER DATE 2010/10/21	MATERIAL NO.	DOCUMENT NO.	SHEET NO.	SEE SHEET 1 SD-73413-004 3 OF 3
	SIZE C	THIS DRAWING CONTAINS INFORMATION THAT IS PROPRIETARY TO MOLEX INCORPORATED AND SHOULD NOT BE USED WITHOUT WRITTEN PERMISSION				