

Excellent Integrated System Limited

Stocking Distributor

Click to view price, real time Inventory, Delivery & Lifecycle Information:

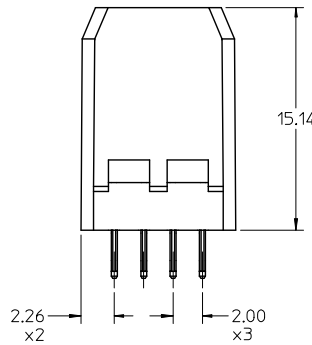
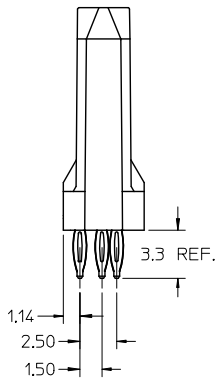
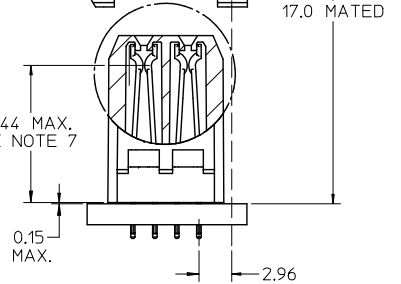
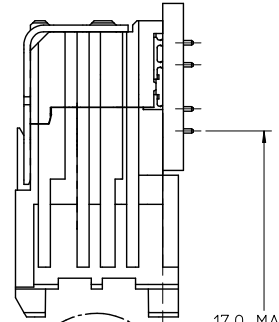
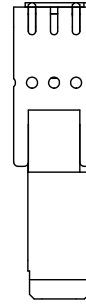
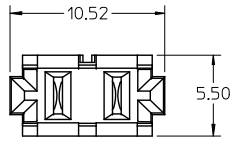
[Molex Connector Corporation](#)
[0758886050](#)

For any questions, you can email us directly:

sales@integrated-circuit.com

NOTES:

1. MATERIALS:
HOUSING - LIQUID CRYSTAL POLYMER (LCP),
UL94 V-0, COLOR: BLACK.
TERMINAL - COPPER ALLOY
2. FINISH: 30 μ IN MIN. GOLD ON MATING SURFACE,
MATTE TIN ON TAILS; NICKEL UNDERPLATE.
3. FINISH: 50 μ IN MIN. GOLD ON MATING SURFACE,
MATTE TIN ON TAILS; NICKEL UNDERPLATE.
4. THIS PART CONFORMS TO PRODUCT SPECIFICATION
PS-74031-999.
5. SINGLE ROW ASSEMBLY PACKED PER PK-70873-0876.
6. MATES WITH 75885 SERIES DAUGHTERCARD POWER ASSEMBLY.
7. MATING INTERFACE MEASURED FROM BOTTOM OF HOUSING.



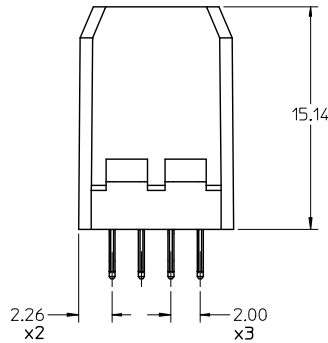
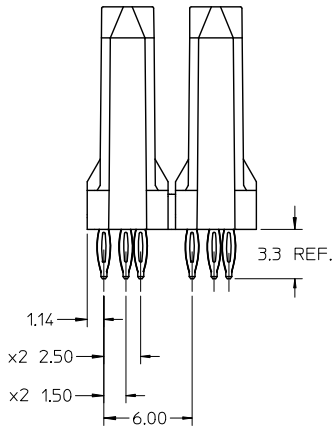
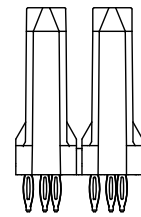
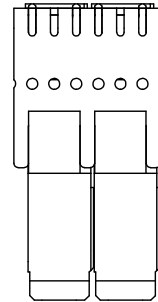
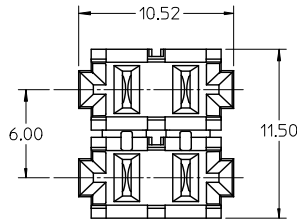
SINGLE ROW ASSEMBLY

MOLEX P/N	GOLD THICKNESS
75888-6000	30uin
75888-6050	50uin

ADD GEN. TOLERANCE EC NO: IJCP2014-2587 DRWNSVANG01 2013/12/17 CHKRMOLFE 2013/12/17 APPRSKILLER 2013/12/19	QUALITY SYMBOLS = 0 = 0 = 0	GENERAL TOLERANCES (UNLESS SPECIFIED)		DIMENSION STYLE MM ONLY		SCALE 4:1	DESIGN UNITS METRIC	THIRD ANGLE PROJECTION
		4 PLACES ± --- ± ---	DRAWN BY JJONIAK	DATE 2005/08/09	TITLE VHDM/HSD POWER 6 ROW BACKPLANE LEAD FREE SALES ASSEMBLY			
		3 PLACES ± --- ± ---	CHECKED BY JJONIAK	DATE 2005/08/09				
		2 PLACES ± 0.13 ± ---	APPROVED BY JJONIAK	DATE 2005/08/09	MATERIAL NO. SEE CHART	DOCUMENT NO. SD-75888-006	SHEET NO. 1 OF 3	
1 PLACE ± 0.25 ± ---		ANGULAR ± 5 ° DRAFT WHERE APPLICABLE MUST REMAIN WITHIN DIMENSIONS		THIS DRAWING CONTAINS INFORMATION THAT IS PROPRIETARY TO MOLEX INCORPORATED AND SHOULD NOT BE USED WITHOUT WRITTEN PERMISSION				

NOTES:

1. THIS DESIGN INTENDED AS OPTION TO HAVING TWO SINGLE ROW MODULES NEXT TO EACH OTHER.
2. FINISH: 30 μ IN GOLD ON MATING SURFACE; MATTE TIN ON TAILS; NICKEL UNDERPLATE.
3. FINISH: 50 μ IN GOLD ON MATING SURFACE; MATTE TIN ON TAILS; NICKEL UNDERPLATE.
4. DUAL ROW ASSEMBLIES PACKED PER PK-70873-545.

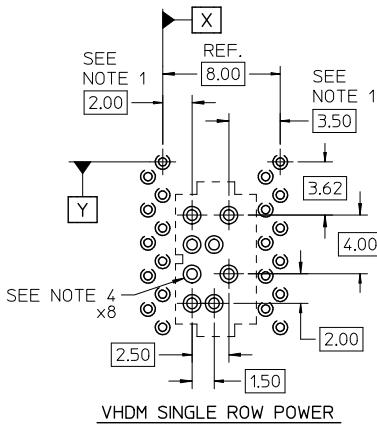
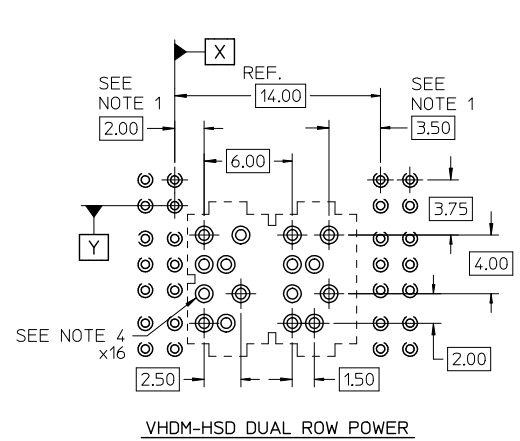
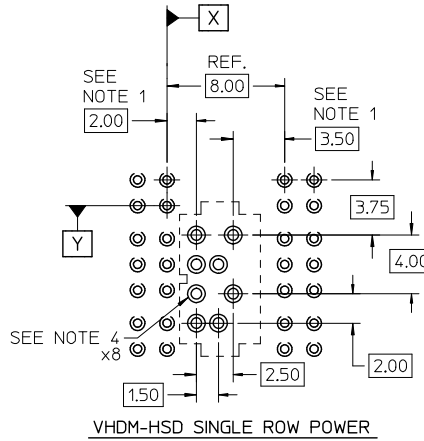
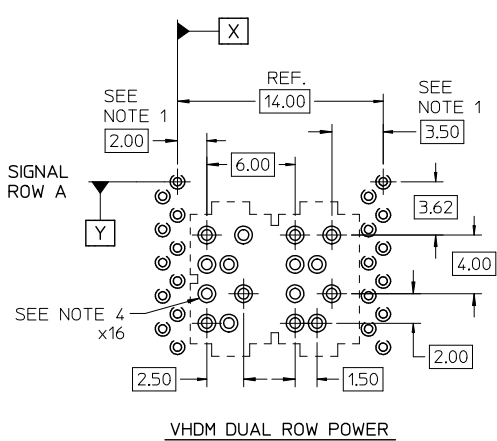


DUAL ROW ASSEMBLY

MOLEX P/N	CONTACT PLATING
75888-6002	SEE NOTE 2.
75888-6052	SEE NOTE 3.

REV	DESCRIPTION	QUALITY SYMBOLS	GENERAL TOLERANCES (UNLESS SPECIFIED)		DIMENSION STYLE		SCALE	DESIGN UNITS	THIRD ANGLE PROJECTION
			mm	INCH	MM ONLY	DATE			
1	SEE SHEET 1	▽=0	4 PLACES ±	±	MM ONLY	DATE	4:1	METRIC	THIRD ANGLE PROJECTION
2	EC NO: UCP2014-2587	▽=0	3 PLACES ±	±	MM ONLY	DATE	4:1	METRIC	THIRD ANGLE PROJECTION
3	DRWNS/ANG01 2013/12/17	▽=0	2 PLACES ±	±	MM ONLY	DATE	4:1	METRIC	THIRD ANGLE PROJECTION
4	CHK/MOLEE 2013/11/17	▽=0	1 PLACE ±	±	MM ONLY	DATE	4:1	METRIC	THIRD ANGLE PROJECTION
5	APP/SMILLER 2013/12/19	▽=0	0 PLACE ±	±	MM ONLY	DATE	4:1	METRIC	THIRD ANGLE PROJECTION
			ANGULAR ± 5°		MATERIAL NO.		DOCUMENT NO.		SHEET NO.
			DRAFT WHERE APPLICABLE MUST REMAIN WITHIN DIMENSIONS		SEE CHART		SD-75888-006		2 OF 3
					SIZE B		THIS DRAWING CONTAINS INFORMATION THAT IS PROPRIETARY TO MOLEX INCORPORATED AND SHOULD NOT BE USED WITHOUT WRITTEN PERMISSION		

BOARD LAYOUTS: 1.8 mm MIN. BOARD THICKNESS



NOTES:

1. ADDITIONAL SPACING CAN BE ADDED IN MULTIPLES OF 2.0 mm AS REQUIRED. FOR EACH ADDITIONAL SINGLE ROW POWER, ADD 6.00 mm.
2. SIGNAL ROW A IS IN LINE WITH DATUM Y IN ALL FOUR LAYOUTS.
3. FOUR HOLES ARE USED PER POWER CONTACT.
4. EACH POWER HOLE TO BE MANUFACTURED AS FOLLOWS:
 $\varnothing 0.725 \pm 0.075$ PLATED THROUGH HOLE
 $\varnothing 1.20$ PAD
 $\varnothing 0.838$ DRILL
 $\varnothing 0.10 \times Y$

SEE SHEET 1 EC NO: UCP2014-2587 DRAWN BY: CHYKSHAN01 CHKD BY: MOLE APPR: MILLER 2013/12/17 2013/12/17 2013/12/19	QUALITY SYMBOLS $\nabla=0$ $\nabla=0$ $\nabla=0$	GENERAL TOLERANCES (UNLESS SPECIFIED)		DIMENSION STYLE MM ONLY		SCALE 4:1	DESIGN UNITS METRIC	THIRD ANGLE PROJECTION
		mm	INCH	DRAWN BY JJONI AK	DATE 2005/08/09	TITLE VHDM/HSD POWER 6 ROW BACKPLANE LEAD FREE SALES ASSEMBLY	molex	
		4 PLACES	\pm ---	\pm ---	CHECKED BY JJONI AK	DATE 2005/08/09	DOCUMENT NO. SD-75888-006	
		3 PLACES	\pm ---	\pm ---	APPROVED BY JJONI AK	DATE 2005/08/09	SHEET NO. 3 OF 3	
		2 PLACES	± 0.13	\pm ---	MATERIAL NO. SEE CHART			
		1 PLACE	± 0.25	\pm ---	SIZE B THIS DRAWING CONTAINS INFORMATION THAT IS PROPRIETARY TO MOLEX INCORPORATED AND SHOULD NOT BE USED WITHOUT WRITTEN PERMISSION			
		0 PLACE	\pm	\pm				
		ANGULAR $\pm 5^\circ$						
		DRAFT WHERE APPLICABLE MUST REMAIN WITHIN DIMENSIONS						