

Excellent Integrated System Limited

Stocking Distributor

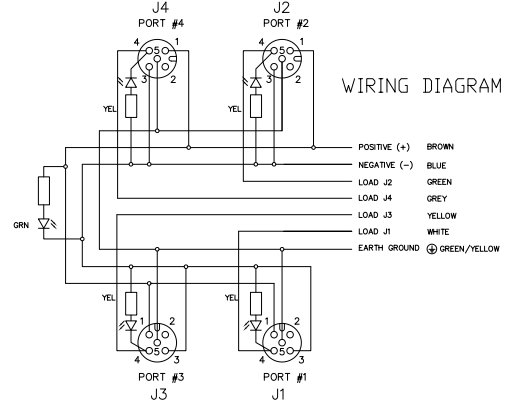
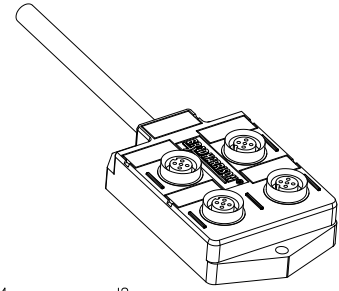
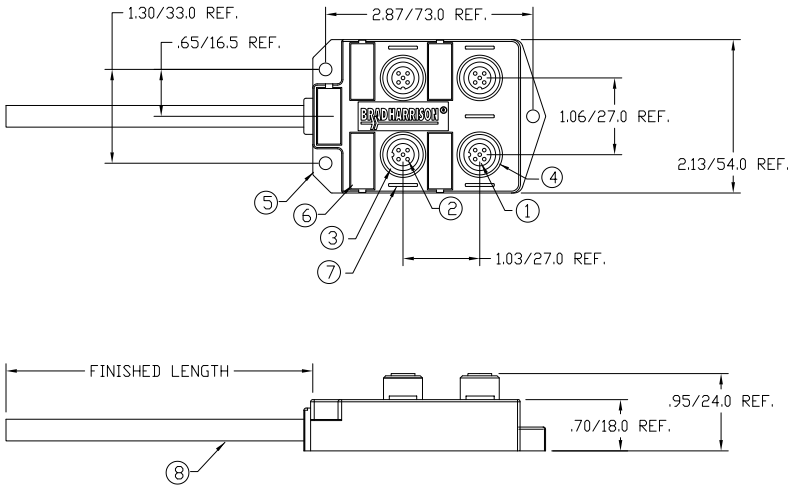
Click to view price, real time Inventory, Delivery & Lifecycle Information:

[Molex Connector Corporation](#)
[1201140015](#)

For any questions, you can email us directly:

sales@integrated-circuit.com

MATERIAL NUMBER	OLD PART NUMBER	FINISHED LENGTH	CABLE JACKET MATERIAL
1201140015	BTY401N-FBE-05	16.40' +6.50' -0 [5.0M +165.1 -0]	PVC
1201140016	BTY401N-FBE-10	32.81' +12.50' -0 [10.0M +317.5 -0]	PVC
1201140017	BTY401N-FBE-20	65.60' +12.50' -0 [20.0M +317.5 -0]	PVC
1201140018	BTY401N-FBP-05	16.40' +6.50' -0 [5.0M +165.1 -0]	PUR



ITEM	COMPONENT	MATERIAL	FINISH
1	INSERT	NYLON	BLACK
2	CONTACT SOCKET	COPPER ALLOY	GOLD OVER NICKEL
3	O-RING	NITRILE	RED
4	RECEPTACLE SHELL	BRASS	NICKEL PLATED
5	HOUSING	PBT	YELLOW
6	LABEL	ABS	WHITE
7	LENS	NYLON	CLEAR
8	CABLE, 18AWG, 3 CONDUCTOR, 22AWG, 4 CONDUCTOR, 300V	SEE P/N TABLE	YELLOW

VOLTAGE RATING	10-30 VDC
AMPERAGE RATING PER PORT	4 AMPS
PROTECTION	IP67
OPERATING TEMPERATURE	-20°C TO 90°C
UL CERTIFICATIONS	UL RECOGNIZED, FILE NO. E46237
CSA CERTIFICATIONS	CSA CERTIFIED, FILE NO. LR6837

ADD 2 PINS TO TABLE EC NO: WEL2010-0374 DRAWN: FRACHER 2010/02/16 CHECKED: NSTAUDIG 2010/02/16 APPROVED: NSTAUDIG 2010/02/16 REV: A	QUALITY SYMBOL ▽=0 ▽=0	GENERAL TOLERANCES (UNLESS SPECIFIED)		DIMENSION STYLE IN/MM		SCALE NTS		DESIGN UNITS METRIC		THIRD ANGLE PROJECTION	
		4 PLACES	±	±	DRAWN BY DATE FP 2010/02/15		MICRO-CHANGE MPIS 4 PORT TOP MOUNT NPN #18/3 + #22/4 CABLE MOLEX INCORPORATED				
		3 PLACES	±	±.01	CHECKED BY DATE NS 2010/02/16						
		2 PLACES	±	±.01	APPROVED BY DATE NSTAUDIG 2010/02/16						
1 PLACE	±0.3	±	ANGULAR ±°		MATERIAL NO. SEE CHART		DOCUMENT NO. SD-120114-011		SHEET NO. 1 OF 1		
DRAFT WHERE APPLICABLE MUST REMAIN WITHIN DIMENSIONS				THIS DRAWING CONTAINS INFORMATION THAT IS PROPRIETARY TO MOLEX INCORPORATED AND SHOULD NOT BE USED WITHOUT WRITTEN PERMISSION							