

Excellent Integrated System Limited

Stocking Distributor

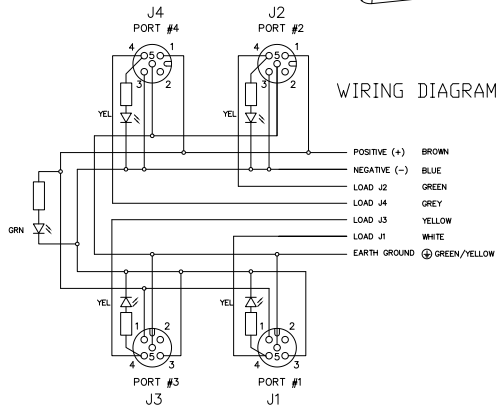
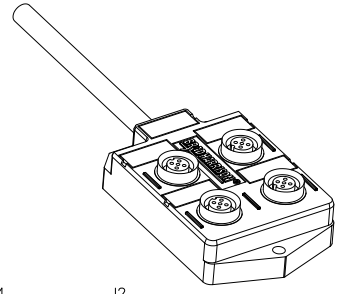
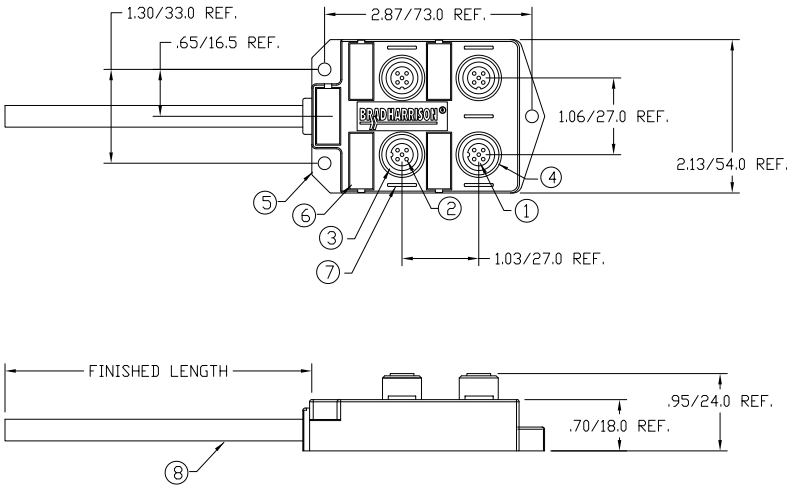
Click to view price, real time Inventory, Delivery & Lifecycle Information:

[Molex Connector Corporation](#)
[1201140023](#)

For any questions, you can email us directly:

sales@integrated-circuit.com

MATERIAL NUMBER	OLD PART NUMBER	FINISHED LENGTH	CABLE JACKET MATERIAL
1201140021	BTY401P-FBE-05	16.40' +6.50' -0 [5.0M +165.1 -0]	PVC
1201140022	BTY401P-FBE-10	32.81' +12.50' -0 [10.0M +317.5 -0]	PVC
1201140024	BTY401P-FBP-05	16.40' +6.50' -0 [5.0M +165.1 -0]	PUR
1201140023	BTY401P-FBE-20	65.60' +12.50' -0 [20.0M +317.5 -0]	PVC
1201140025	BTY401P-FBP-10	32.81' +12.50' -0 [10.0M +317.5 -0]	PUR
1201140026	BTY401P-FBP-20	65.60' +12.50' -0 [20.0M +317.5 -0]	PUR



ITEM	COMPONENT	MATERIAL	FINISH
1	INSERT	NYLON	BLACK
2	CONTACT SOCKET	COPPER ALLOY	GOLD OVER NICKEL
3	O-RING	NITRILE	RED
4	RECEPTACLE SHELL	BRASS	NICKEL PLATED
5	HOUSING	PBT	YELLOW
6	LABEL	ABS	WHITE
7	LENS	NYLON	CLEAR
8	CABLE, 18AWG, 3 CONDUCTOR, 22AWG, 4 CONDUCTOR, 300V	SEE P/N TABLE	YELLOW

VOLTAGE RATING	10-30 VDC
AMPERAGE RATING PER PORT	4 AMPS
PROTECTION	IP67
OPERATING TEMPERATURE	-20°C TO 90°C
UL CERTIFICATIONS	UL RECOGNIZED, FILE NO. E46237
CSA CERTIFICATIONS	CSA CERTIFIED, FILE NO. LR6837

ADD 2 PINS TO TABLE EC NO: WEL2010-0374 DRAWN: FRACHER 2/18/10 CHKD: NSTAUDIG 2009/02/27 APPR: NSTAUDIG 2010/02/18 B1	QUALITY SYMBOL ▽=0 ▽=0	GENERAL TOLERANCES (UNLESS SPECIFIED)		DIMENSION STYLE IN/MM		SCALE NTS	DESIGN UNITS METRIC	THIRD ANGLE PROJECTION
		4 PLACES ± ± 3 PLACES ± ± 2 PLACES ± ±.01 1 PLACE ±0.3 ±	DRAWN BY BW DATE 2009/04/02 CHECKED BY DATE TW 2009/04/02 APPROVED BY DATE NSTAUDIG 2010/02/18	TITLE MICRO-CHANGE MPIS 4 PORT TOP MOUNT PNP #18/3 + #22/4 CABLE				
		DRAFT WHERE APPLICABLE MUST REMAIN WITHIN DIMENSIONS		MATERIAL NO. SEE CHART	DOCUMENT NO. SD-120114-002	SHEET NO. 1 OF 1		
		THIS DRAWING CONTAINS INFORMATION THAT IS PROPRIETARY TO MOLEX INCORPORATED AND SHOULD NOT BE USED WITHOUT WRITTEN PERMISSION						