

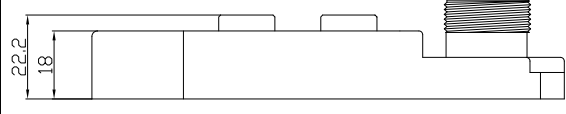
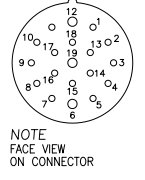
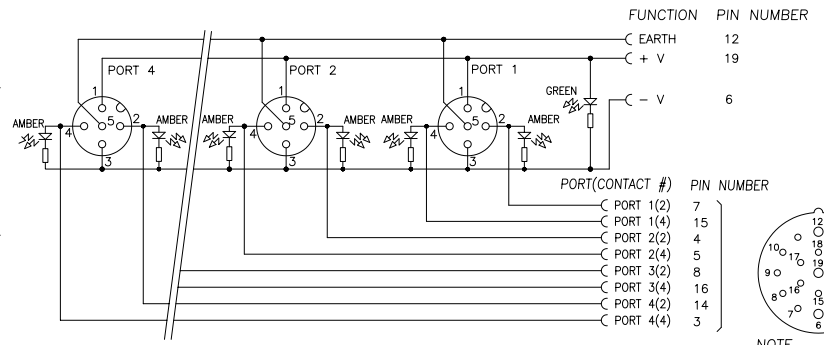
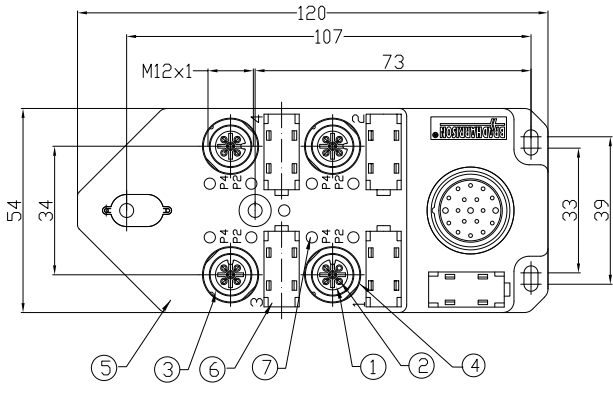
Excellent Integrated System Limited

Stocking Distributor

Click to view price, real time Inventory, Delivery & Lifecycle Information:

[Molex Connector Corporation](#)
[1201140031](#)

For any questions, you can email us directly:
sales@integrated-circuit.com



MATERIAL NUMBER	OLD PART NUMBER	FINISHED LENGTH	CABLE JACKET MATERIAL
1201140031	BTY403P-FBC	-	-

VOLTAGE RATING	10-30 VDC
AMPERAGE RATING PER PORT	4 AMPS
PROTECTION	IP67
OPERATING TEMPERATURE	-20°C TO 90°C
UL CERTIFICATIONS	UL RECOGNIZED, FILE NO. E46237
CSA CERTIFICATIONS	CSA CERTIFIED, FILE NO. LR6837

ITEM	COMPONENT	MATERIAL	FINISH
1	INSERT	NYLON	BLACK
2	CONTACT SOCKET	COPPER ALLOY	GOLD OVER NICKEL
3	O-RING	NITRILE	RED
4	RECEPTACLE SHELL	BRASS	NICKEL PLATED
5	HOUSING	PBT	YELLOW
6	LABEL	ABS	WHITE
7	LENS	NYLON	CLEAR

DESCRIPTION EC NO. WEL2010-0423 DRAWN: LSTEMMLE 2010/03/10 CHKD: NSTAUDIG APPR: NSTAUDIG 2010/03/15 REV: 1	QUALITY SYMBOLS 0 0	GENERAL TOLERANCES (UNLESS SPECIFIED) <table border="1"> <thead> <tr> <th></th> <th>mm</th> <th>INCH</th> </tr> </thead> <tbody> <tr> <td>4 PLACES</td> <td>±---</td> <td>±---</td> </tr> <tr> <td>3 PLACES</td> <td>±---</td> <td>±---</td> </tr> <tr> <td>2 PLACES</td> <td>±---</td> <td>±.01</td> </tr> <tr> <td>1 PLACE</td> <td>±0.3</td> <td>±---</td> </tr> <tr> <td colspan="3">ANGULAR ± --- °</td> </tr> </tbody> </table> DRAFT WHERE APPLICABLE MUST REMAIN WITHIN DIMENSIONS		mm	INCH	4 PLACES	±---	±---	3 PLACES	±---	±---	2 PLACES	±---	±.01	1 PLACE	±0.3	±---	ANGULAR ± --- °			DIMENSION STYLE MM ONLY	SCALE 2:1	DESIGN UNITS METRIC	THIRD ANGLE PROJECTION
				mm	INCH																			
			4 PLACES	±---	±---																			
			3 PLACES	±---	±---																			
2 PLACES	±---	±.01																						
1 PLACE	±0.3	±---																						
ANGULAR ± --- °																								
DRAWN BY: LSTEMMLE DATE: 2010/03/10 CHECKED BY: NSTAUDIG DATE: 2010/03/11 APPROVED BY: NSTAUDIG DATE: 2010/03/15	MICRO-CHANGE MPIS 4 PORT PNP TWIN PORT RECEPTACLES HARD SHELL			MOLEX INCORPORATED																				
MATERIAL NO. SEE TABLE			DOCUMENT NO. SD-120114-018			SHEET NO. 1 OF 1																		
THIS DRAWING CONTAINS INFORMATION THAT IS PROPRIETARY TO MOLEX INCORPORATED AND SHOULD NOT BE USED WITHOUT WRITTEN PERMISSION																								