

Excellent Integrated System Limited

Stocking Distributor

Click to view price, real time Inventory, Delivery & Lifecycle Information:

[Molex Connector Corporation](#)
[1201140054](#)

For any questions, you can email us directly:

sales@integrated-circuit.com

TABLE 1 BILL OF MATERIAL

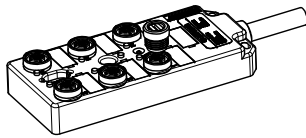
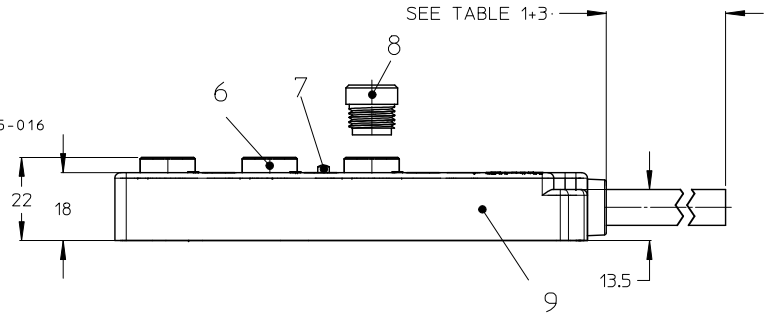
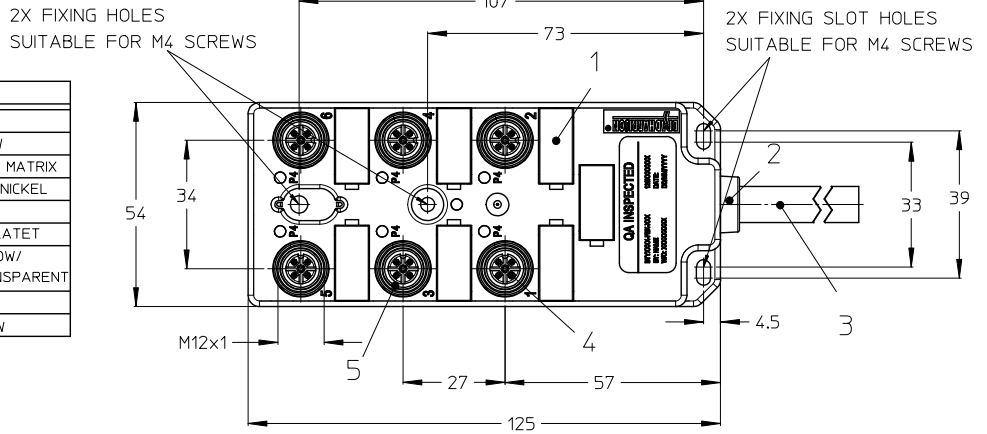
ITEM	QTY	DESCRIPTION	MATERIAL	FINISH
1	7	LABEL	ABS	WHITE
2	1	CABLE PLATE	PBT	YELLOW
3	1	CABLE	SEE ENG. NO. MATRIX	SEE ENG. NO. MATRIX
4	24	CONTACT	BRASS	GOLD OVER NICKEL
5	6	O-RING	FPM	RED
6	6	SHELL	BRASS	NICKEL PLATET
7	7	LED	NON LED = PBT/ WITH LED = PA	NON LED YELLOW/ WITH LED TRANSPARENT
8	2	PROTECTING CAP	PP	BLACK
9	1	HOUSING	PBT	YELLOW

GENERAL CHARACTERISTICS

NOMINAL VOLTAGE: 10-30 V DC
 POLLUTION DEGREE: 3
 RATED CURRENT: 4 A PER PORT / 12 A MAX: TOTAL
 CONTACT RESISTANCE: ≤ 5 mOHM
 ISULATION RESISTANCE: > 10⁹ OHM
 IP DEGREE OF PROTECTION: IP 67
 IP 68 REFER TO TEST SUMMARY TS-120005-016

TEMPERATURE RANGE: -25°C to + 85°C
 (BOX ONLY)

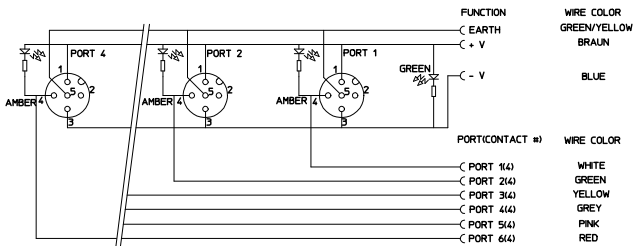
FLAMMABILITY:
 Insert: V0
 HOUSING: V0
 POTTING MATERIAL: V0



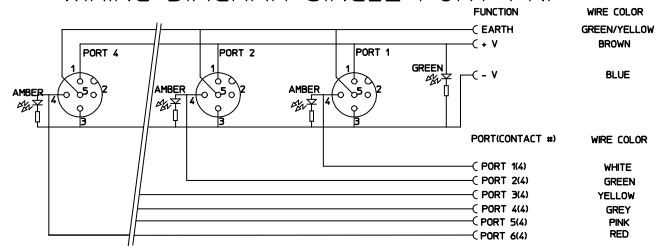
ENTER DESCRIPTION EC NO: IPG2014-0267 DRAWN BY: LSG CHKD BY: CHYK DASILLER APPR: CBURGER DATE: 2013/08/25 2013/10/07	QUALITY SYMBOLS ▽=0 ▽=0	GENERAL TOLERANCES (UNLESS SPECIFIED)		DIMENSION STYLE MM ONLY		SCALE 1:1	DESIGN UNITS METRIC	THIRD ANGLE PROJECTION
		mm	INCH	DRAWN BY LSG	DATE 2011/08/18	TITLE MPIS M12 PNP NPN NOS 4P 6PT AC FE STR XM		
REV A3	4 PLACES	± ---	± ---	CHECKED BY ZISMAYILOV	DATE 2011/12/14	DOCUMENT NO. SD-120005-013		SHEET NO. 1 OF 3
	3 PLACES	± ---	± ---	APPROVED BY CBURGER	DATE 2011/12/20			
DRAFT WHERE APPLICABLE MUST REMAIN WITHIN DIMENSIONS		ANGULAR ± 2 °		MATERIAL NO. SEE TABLE 2		THIS DRAWING CONTAINS INFORMATION THAT IS PROPRIETARY TO MOLEX INCORPORATED AND SHOULD NOT BE USED WITHOUT WRITTEN PERMISSION		

10 9 8 7 6 5 4 3 2 1

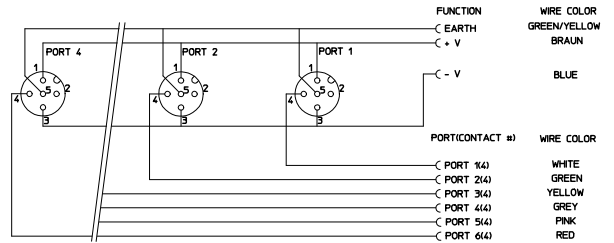
WIRING DIAGRAM SINGLE PORT NPN



WIRING DIAGRAM SINGLE PORT PNP



WIRING DIAGRAM SINGLE PORT NON LED



ENTER DESCRIPTION EC NO: IPG2014-0267 DRAWN/LETTER/REV: 2013/09/24 CHK/CRS/ILLER: 2013/09/25 APPR: CBURGER 2013/10/07	QUALITY SYMBOLS ▽=0 ▽=0	GENERAL TOLERANCES (UNLESS SPECIFIED)		DIMENSION STYLE MM ONLY		SCALE 1:1	DESIGN UNITS METRIC	THIRD ANGLE PROJECTION
		4 PLACES	± ---	± ---	DRAWN BY	DATE	TITLE MPIS M12 PNP NPN NOS 4P 6PT AC FE STR XM	
		3 PLACES	± ---	± ---	LSG	2011/08/18		
		2 PLACES	± 0.1	± ---	CHECKED BY	DATE		
1 PLACE	± 0.2	± ---	ZISMAYILOV	2011/12/14				
0 PLACE	± ---	± ---	APPROVED BY	DATE				
		ANGULAR ± 2 °		CBURGER	2011/12/20	MATERIAL NO.		
DRAFT WHERE APPLICABLE MUST REMAIN WITHIN DIMENSIONS		SEE TABLE 2		DOCUMENT NO.		SD-120005-013		SHEET NO. 2 OF 3
A3		SIZE A3		THIS DRAWING CONTAINS INFORMATION THAT IS PROPRIETARY TO MOLEX INCORPORATED AND SHOULD NOT BE USED WITHOUT WRITTEN PERMISSION				

9 8 7 6 5 4 3 2 1

