

Excellent Integrated System Limited

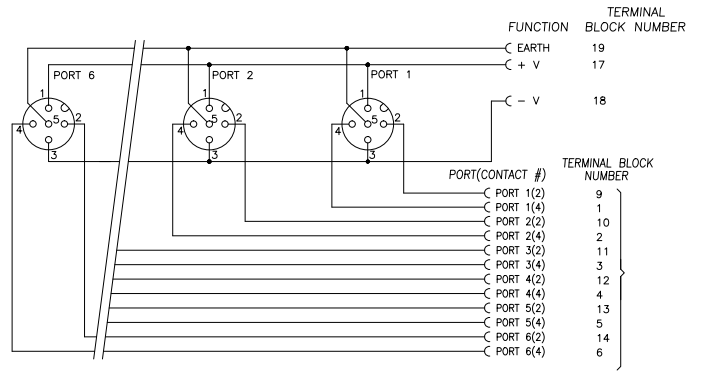
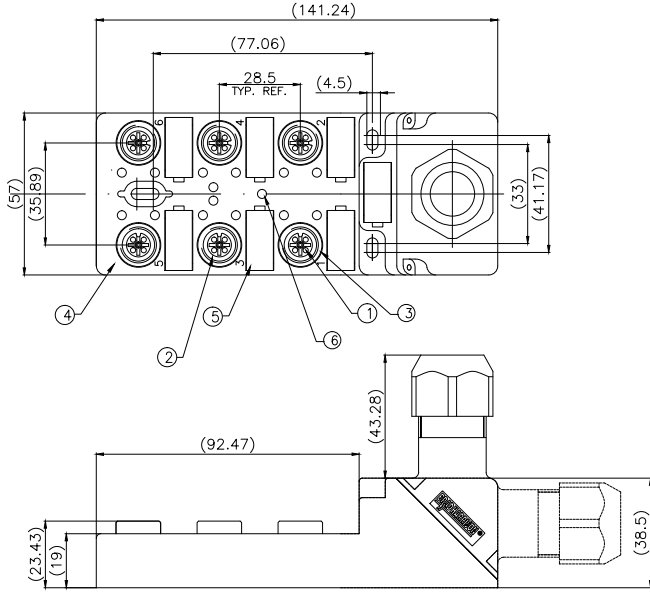
Stocking Distributor

Click to view price, real time Inventory, Delivery & Lifecycle Information:

[Molex Connector Corporation](#)
[1201140057](#)

For any questions, you can email us directly:

sales@integrated-circuit.com



MATERIAL NUMBER	OLD PART NUMBER	FINISHED LENGTH
1201140057	BTY6030-FBA	-

VOLTAGE RATING	10-30 VDC
AMPERAGE RATING PER PORT	4 AMPS
PROTECTION	IP67
OPERATING TEMPERATURE	-25°C TO 90°C
UL CERTIFICATIONS	UL RECOGNIZED, FILE NO. E46237
CSA CERTIFICATIONS	CSA CERTIFIED, FILE NO. LR6837

ITEM	COMPONENT	MATERIAL	FINISH
1	CONTACT SOCKET	COPPER ALLOY	GOLD OVER NICKEL
2	O-RING	VITON	RED
3	RECEPTACLE SHELL	BRASS	NICKEL PLATED
4	HOUSING	PBT	YELLOW
5	LABEL	ABS	WHITE
6	LENS	NYLON	CLEAR

ADDED BRK. REIMVD SHORT EC NO: WEJ2010-0463 DRWN: LHARTMAN 2012/01/25 CHKD: TWOLDEGE APPR: JMURPHY	QUALITY SYMBOL ▽=0 ∇=0	GENERAL TOLERANCES (UNLESS SPECIFIED)	DIMENSION STYLE MM ONLY	SCALE 1:25.4	DESIGN UNITS METRIC	THIRD ANGLE PROJECTION
		4 PLACES ±-- ±-- 3 PLACES ±-- ±-- 2 PLACES ±-- ±.01 1 PLACE ±0.3 ±--	DRAWN BY DATE LHARTMAN 2012/01/25	CHECKED BY DATE FPACHER 2010/03/23	TITLE MICRO-CHANGE MPIS 6 PORT PNP TWIN PORT 5P FIELD ATTACHABLE	
DRAFT WHERE APPLICABLE MUST REMAIN WITHIN DIMENSIONS		MATERIAL NO. SEE CHART		DOCUMENT NO. SD-120114-078		SHEET NO. 1 OF 1