

Excellent Integrated System Limited

Stocking Distributor

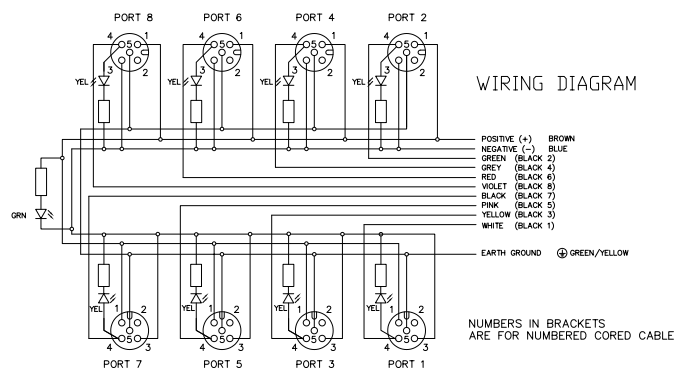
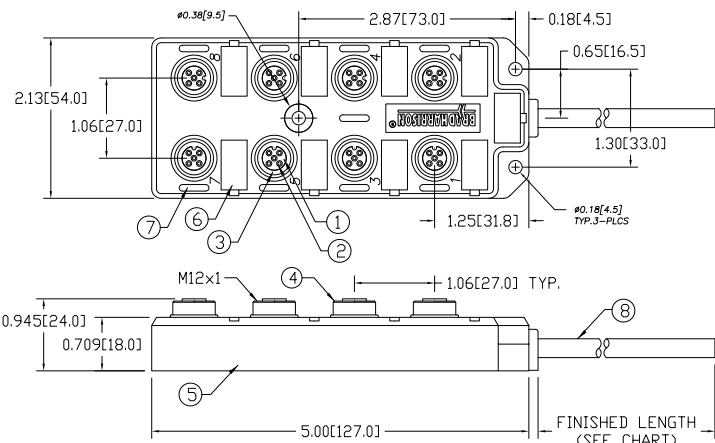
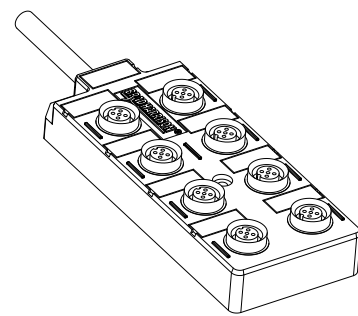
Click to view price, real time Inventory, Delivery & Lifecycle Information:

[Molex Connector Corporation](#)
[1201140076](#)

For any questions, you can email us directly:

sales@integrated-circuit.com

MATERIAL NUMBER	OLD PART NUMBER	FINISHED LENGTH	MATERIAL CABLE	CABLE COLOR
1201140067	BTY801P-FBE-02	6.56' +3.50' -0 [2.0M +88.9 -0]	PVC	YELLOW
1201140068	BTY801P-FBE-05	16.40' +6.50' -0 [5.0M +165.1 -0]	PVC	YELLOW
1201140069	BTY801P-FBE-10	32.81' +12.50' -0 [10.0M +317.5 -0]	PVC	YELLOW
1201140070	BTY801P-FBE-15	49.21' +24.50' -0 [15.0M +622.3 -0]	PVC	YELLOW
1201140071	BTY801P-FBE-20	65.62' +24.50' -0 [20.0M +622.3 -0]	PVC	YELLOW
1201140072	BTY801P-FBP-05	16.40' +6.50' -0 [5.0M +165.1 -0]	PUR	BLACK
1201140073	BTY801P-FBP-10	32.81' +12.50' -0 [10.0M +317.5 -0]	PUR	BLACK
1201140074	BTY801P-FBP-15	49.21' +24.50' -0 [15.0M +622.3 -0]	PUR	BLACK
1201140075	BTY801P-FBP-20	65.62' +24.50' -0 [20.0M +622.3 -0]	PUR	BLACK
1201140076	BTY801P-FBP-25	82.02' +24.50' -0 [25.0M +622.3 -0]	PUR	BLACK
1201140077	BTY801P-FBP-30	98.43' +24.50' -0 [30.0M +622.3 -0]	PUR	BLACK
1201140078	BTY801P-FBP-50	164.04' +24.50' -0 [50.0M +622.3 -0]	PUR	BLACK



VOLTAGE RATING	10-30 VDC
AMPERAGE RATING PER PORT	4 AMPS
PROTECTION	IP67
OPERATING TEMPERATURE	-20°C TO 90°C
UL CERTIFICATIONS	UL RECOGNIZED, FILE NO. E46237
CSA CERTIFICATIONS	CSA CERTIFIED, FILE NO. LR6837

ITEM	COMPONENT	MATERIAL	FINISH
1	INSERT	NYLON	BLACK
2	CONTACT SOCKET	COPPER ALLOY	GOLD OVER NICKEL
3	O-RING	VITON	RED
4	RECEPTACLE SHELL	BRASS	NICKEL PLATED
5	HOUSING	PBT	YELLOW
6	LABEL	ABS	WHITE
7	LENS	NYLON	CLEAR
8	CABLE, 18AWG, 3 CONDUCTOR, 22AWG, 8 CONDUCTOR, 300V	SEE TABLE	SEE TABLE

ADD 2 PINS TO TABLE EC NO: WEI2010-0441 DRAWN: BERLAUCH CHKD: BWOODMAN APPR: FPACHER 16.08.10 2010/03/19	QUALITY SYMBOL ▽=0 ▽=0	GENERAL TOLERANCES (UNLESS SPECIFIED) 4 PLACES ±.--- ±.--- 3 PLACES ±.--- ±.--- 2 PLACES ±.--- ±.01 1 PLACE ±0.3 ±.--- ANGULAR ±.---°	DIMENSION STYLE IN/MM	SCALE NTS	DESIGN UNITS METRIC	THIRD ANGLE PROJECTION	
		DRAWN BY LHARTMAN 2009/08/24	CHECKED BY BWOODMAN 2009/08/26	APPROVED BY FPACHER 2010/03/18	MATERIAL NO. SEE CHART	DOCUMENT NO. SD-120114-006	SHEET NO. 1 OF 1
		MICRO-CHANGE MPIS 8 PORT TOP MOUNT PNP #18/3 + #22/8 CABLE					
		MOLEX INCORPORATED					

DRAFT WHERE APPLICABLE MUST REMAIN WITHIN DIMENSIONS

THIS DRAWING CONTAINS INFORMATION THAT IS PROPRIETARY TO MOLEX INCORPORATED AND SHOULD NOT BE USED WITHOUT WRITTEN PERMISSION