

## Excellent Integrated System Limited

Stocking Distributor

Click to view price, real time Inventory, Delivery & Lifecycle Information:

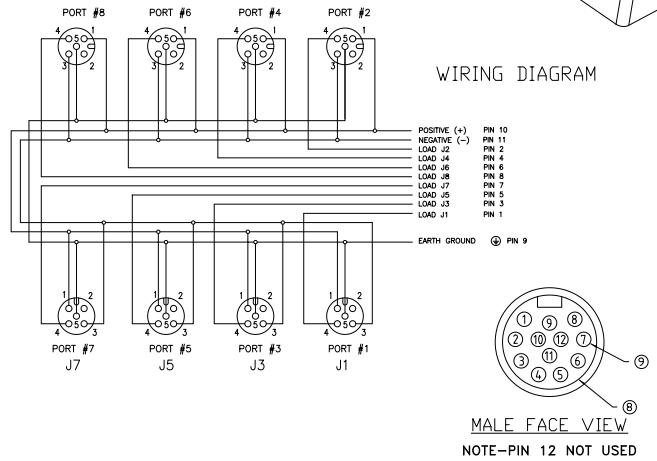
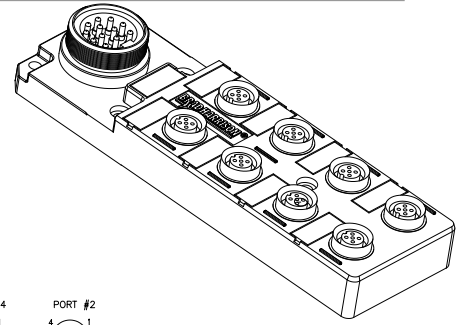
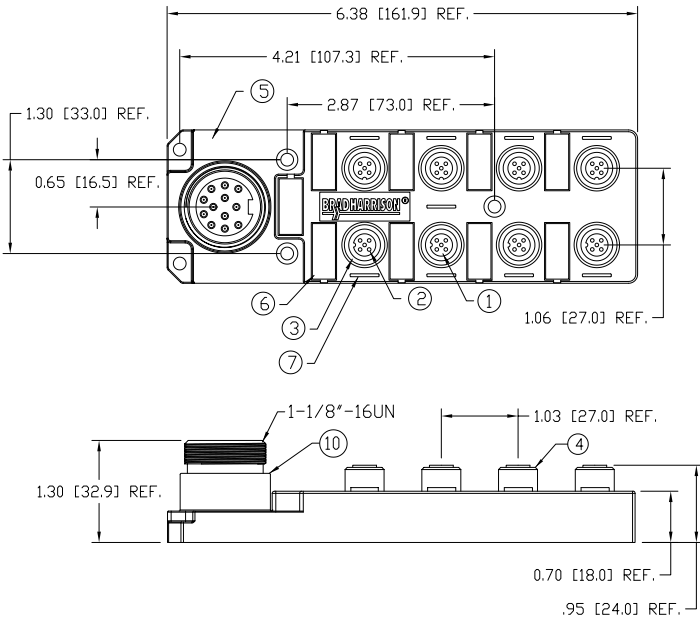
[Molex Connector Corporation](#)

[1201140079](#)

For any questions, you can email us directly:

[sales@integrated-circuit.com](mailto:sales@integrated-circuit.com)

MATERIAL NUMBER	OLD PART NUMBER
1201140079	BTY8010-FBB



ITEM	COMPONENT	MATERIAL	FINISH
1	INSERT	NYLON	BLACK
2	CONTACT SOCKET	COPPER ALLOY	GOLD OVER NICKEL
3	O-RING	VITON	RED
4	RECEPTACLE SHELL	BRASS	NICKEL PLATED
5	HOUSING	PBT	YELLOW
6	LABEL	ABS	WHITE
7	LENS	NYLON	CLEAR
8	INSERT	PVC	YELLOW
9	CONTACT PIN	COPPER ALLOY	GOLD OVER NICKEL
10	RECEPTACLE SHELL	BRASS	NICKEL PLATED

VOLTAGE RATING	10-30 VDC
AMPERAGE RATING PER PORT	4 AMPS
PROTECTION	IP67
OPERATING TEMPERATURE	-20°C TO 90°C
UL CERTIFICATIONS	UL RECOGNIZED, FILE NO. E46237
CSA CERTIFICATIONS	CSA CERTIFIED, FILE NO. LR6837

NOTE: DIMENSIONS IN MILLIMETERS, INCHES IN PARENTHESES.

<b>RELEASED DRAWING</b> EC NO: WEL2010-0441 DRAWN: BBRAUCH 2010/03/17 CHKD: FP APPR: FPACHER 2010/03/19 REV: 1	<b>QUALITY SYMBOL</b> ▽=0 ▽=0	GENERAL TOLERANCES (UNLESS SPECIFIED) 4 PLACES ±.3 ±.012 3 PLACES ±.2 ±.008 2 PLACES ±.1 ±.005 1 PLACE ±.05 ±.0025 ANGULAR ±.5°	DIMENSION STYLE IN/MM DRAWN BY DATE BBRAUCH 2010/03/17 CHECKED BY DATE FP 2010/03/17 APPROVED BY DATE FPACHER 2010/03/18	SCALE NTS DESIGN UNITS METRIC THIRD ANGLE PROJECTION
		DRAFT WHERE APPLICABLE MUST REMAIN WITHIN DIMENSIONS	MATERIAL NO. SEE CHART SIZE C	TITLE MICRO-CHANGE MPIS 8 PORT TOP MOUNT PNP MINI 12 POLE MALE MOLEX INCORPORATED

THIS DRAWING CONTAINS INFORMATION THAT IS PROPRIETARY TO MOLEX INCORPORATED AND SHOULD NOT BE USED WITHOUT WRITTEN PERMISSION