

Excellent Integrated System Limited

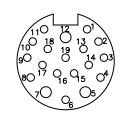
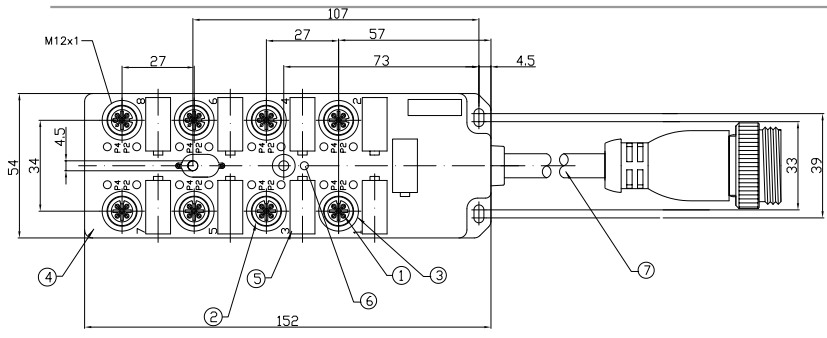
Stocking Distributor

Click to view price, real time Inventory, Delivery & Lifecycle Information:

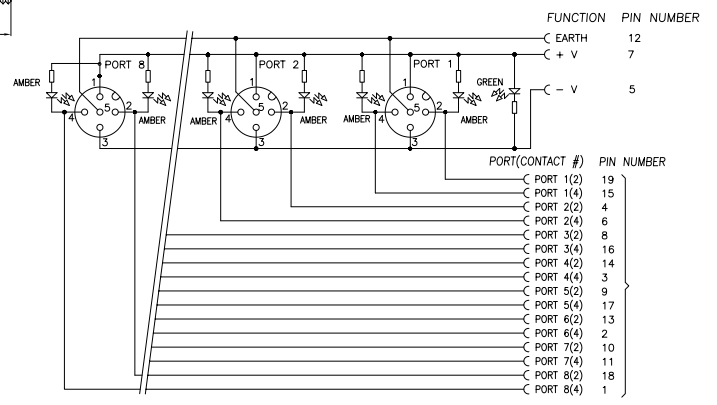
[Molex Connector Corporation](#)
[1201140095](#)

For any questions, you can email us directly:

sales@integrated-circuit.com



NOTE
FACE VIEW ON
END RECEPTACLE



MATERIAL NUMBER	OLD PART NUMBER	FINISHED LENGTH
1201140095	BTY812N-FBP-05	5M ± 25

VOLTAGE RATING	10-30 VDC
AMPERAGE RATING PER PORT	4 AMPS
PROTECTION	IP67
OPERATING TEMPERATURE	-5°C TO 90°C
UL CERTIFICATIONS	UL RECOGNIZED, FILE NO. E46237
CSA CERTIFICATIONS	CSA CERTIFIED, FILE NO. LR6837

ITEM	COMPONENT	MATERIAL	FINISH
1	CONTACT SOCKET	COPPER ALLOY	GOLD OVER NICKEL
2	O-RING	VITON	RED
3	RECEPTACLE SHELL	BRASS	NICKEL PLATED
4	HOUSING	PBT	YELLOW
5	LABEL	ABS	WHITE
6	LENS	NYLON	CLEAR
7	CABLE	PUR	-

DESCRIPTION EC NO: WEU2010-0451 DRWN: LSTEMMLE 2010/03/22 CHKD: INSTALDIG APPR: FPACHER 2010/03/23	QUALITY SYMBOLS ▽ = 0 ▽ = 0	GENERAL TOLERANCES (UNLESS SPECIFIED) 4 PLACES ±--- ±--- 3 PLACES ±--- ±--- 2 PLACES ±--- ±01 1 PLACE ±0.3 ±--- ANGULAR ± --- °	DIMENSION STYLE MM ONLY	SCALE 1:1	DESIGN UNITS METRIC	THIRD ANGLE PROJECTION	
	DRAWN BY LSTEMMLE	DATE 2010/03/22	CHECKED BY FP	DATE 2010/03/22	MICRO-CHANGE MPIS 8 PORT NPN TWIN PORT 5P 19P MM MOULDET CONNECTOR MOLEX INCORPORATED		
	APPROVED BY FPACHER	DATE 2010/03/23	MATERIAL NO. SEE TABLE	DOCUMENT NO. SD-120114-088			
	DRAFT WHERE APPLICABLE MUST REMAIN WITHIN DIMENSIONS		SIZE A2	THIS DRAWING CONTAINS INFORMATION THAT IS PROPRIETARY TO MOLEX INCORPORATED AND SHOULD NOT BE USED WITHOUT WRITTEN PERMISSION			