



## Excellent Integrated System Limited

Stocking Distributor

Click to view price, real time Inventory, Delivery & Lifecycle Information:

[Molex Connector Corporation](#)  
[1301080229](#)

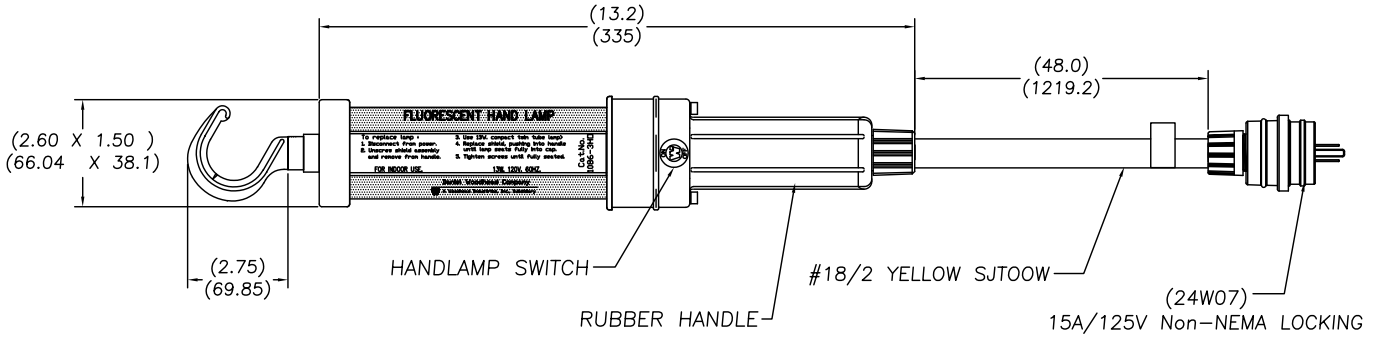
For any questions, you can email us directly:

[sales@integrated-circuit.com](mailto:sales@integrated-circuit.com)

6 5 4 3 2 1

E  
D  
C  
B  
A

E  
D  
C  
B  
A



<b>CORRECT SAP PART #</b> EC NO: WNA2010-0401 DRWN: TVICKERS CHKD: CHPR APPR: DTITUS 201001/20	<b>QUALITY SYMBOLS</b> ▽=0 C/=0	<b>GENERAL TOLERANCES (UNLESS SPECIFIED)</b>		DIMENSION STYLE IN/MM	SCALE NTS	DESIGN UNITS INCH	THIRD ANGLE PROJECTION		
		4 PLACES ±---- ±----	3 PLACES ±---- ±.005	2 PLACES ±---- ±.010	1 PLACE ±---- ±.020	DRAWN BY TV	DATE 2009/01/15	TITLE 1083-3HON HAND LAMP W/4' #18/2 SJTOOW & WATERTITE PLUG	
		ANGULAR ±.5°				CHECKED BY HK	DATE 2009/01/15	MOLEX INCORPORATED	
		DRAFT WHERE APPLICABLE MUST REMAIN WITHIN DIMENSIONS				APPROVED BY DTITUS	DATE 2010/01/19	MATERIAL NO. 1301080229	DOCUMENT NO. SD-130108-002
B	REV			SIZE A	THIS DRAWING CONTAINS INFORMATION THAT IS PROPRIETARY TO MOLEX INCORPORATED AND SHOULD NOT BE USED WITHOUT WRITTEN PERMISSION			SHEET NO. 1 OF 1	

6 5 4 3 2 1