



Distributor of Molex Connector Corporation: Excellent Integrated System Limited
Datasheet of 38660-7804 - Connector Barrier Block Strip 4 Circuit 0.500" (12.70mm)

Contact us: sales@integrated-circuit.com Website: www.integrated-circuit.com

Excellent Integrated System Limited

Stocking Distributor

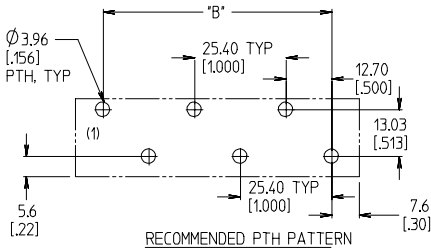
Click to view price, real time Inventory, Delivery & Lifecycle Information:

[Molex Connector Corporation](#)
[38660-7804](#)

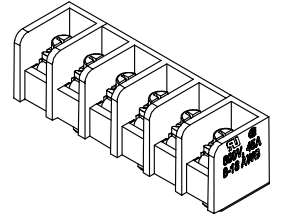
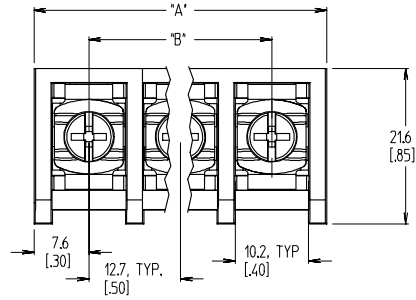
For any questions, you can email us directly:

sales@integrated-circuit.com

10 9 8 7 6 5 4 3 2 38660

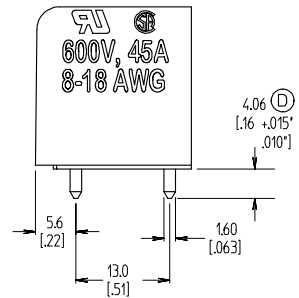
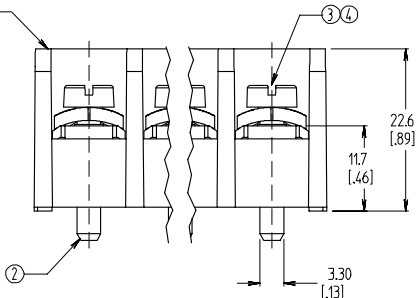


VIEW SCALE 1:1



6 CIRCUIT SHOWN ACTUAL SIZE

MATERIAL NUMBER, OPT GOLD (-04)	MATERIAL (STD PART)	OLD CATALOG NUMBER REFERENCE	NUMBER OF CIRCUITS *XX*	A	B
	38660-7802	38669-0001	2	27.9 [1.10]	12.70 [500]
38669-0004	38660-7803	38669-0003	3	40.6 [1.60]	25.40 [1000]
38669-0006	38660-7804	38669-0005	4	53.3 [2.10]	38.10 [1500]
	38660-7805	38669-0007	5	66.0 [2.60]	50.80 [2000]
	38660-7806	38669-0008	6	78.7 [3.10]	63.50 [2500]
	38660-7807		7	91.4 [3.60]	76.20 [3000]
	38660-7808		8	104.1 [4.10]	88.90 [3500]
	38660-7809	38669-0009	9	116.8 [4.60]	101.60 [4000]
	38660-7810		10	129.5 [5.10]	114.30 [4500]
	38660-7811		11	142.2 [5.60]	127.00 [5000]
	38660-7812		12	154.9 [6.10]	139.70 [5500]
	38660-7813		13	167.6 [6.60]	152.40 [6000]
	38660-7814		14	180.3 [7.10]	165.10 [6500]
	38660-7815		15	193.0 [7.60]	177.80 [7000]



NOTES:

1. MATERIAL: SEE TABLE
2. FINISHES: SEE TABLE
3. PRODUCT SPECIFICATION: NOT REQUIRED
4. PACKAGING: NOT REQUIRED
5. MATES WITH: NONE
6. *XX* - REFERS TO THE NUMBER OF CIRCUIT POSITIONS
7. INCH DIMENSIONS ARE SHOWN IN BRACKETS [XXX].
8. ALL COMPONENTS ARE ROHS COMPLIANT.

UPDATE TAIL TOL. EC NO: ETC2007-0428 2007/06/04	DRAWN: JENCIMS 2007/06/04	CHKD: JENCIMS 2007/06/04	APPR: JMCNEILL 2007/06/11	QUALITY SYMBOLS ▽=0 ▽=0	GENERAL TOLERANCES (UNLESS SPECIFIED)		DIMENSION STYLE	SCALE	DESIGN UNITS	THIRD ANGLE PROJECTION
					mm	INCH	MM/IN	2:1	INCH	
4 PLACES ± --- ± --- 3 PLACES ± --- ± .005 2 PLACES ± 0.13 ± .01 1 PLACE ± 0.3 ± --- ANGULAR ± 2 °					DRAWN BY	DATE	TITLE SR BTS, 12.70 [500] PITCH, PC, NO MTG ASSY MOLEX INCORPORATED MATERIAL NO. SEE CHART DOCUMENT NO. SD-38669-001 SHEET NO. 1 OF 1			
					CHECKED BY	DATE				
					APPROVED BY	DATE				
					L. ROTHBAUS 2002/08/16					
DRAFT WHERE APPLICABLE MUST REMAIN WITHIN DIMENSIONS					SIZE	THIS DRAWING CONTAINS INFORMATION THAT IS PROPRIETARY TO MOLEX INCORPORATED AND SHOULD NOT BE USED WITHOUT WRITTEN PERMISSION				

ITEM	QTY	DESCRIPTION	MATERIAL	FINISH
4	XX	SCREW	STEEL	ZN/YELLOW CHROMATE
3	XX	SCREW	STEEL	GOLD
2	XX	TERMINAL	RED BRASS	TIN OVER COPPER
1	1	INSULATOR	THERMOPLASTIC	BLACK

Id_Frame_B_P_ME.T
Rev. E 2006/04/15

9 8 7 6 5 4 3 2 1