



Distributor of Molex Connector Corporation: Excellent Integrated System Limited

Datasheet of 0387206202 - Connector Barrier Block Strip 2 Circuit 0.375" (9.53mm)

Contact us: sales@integrated-circuit.com Website: www.integrated-circuit.com

Excellent Integrated System Limited

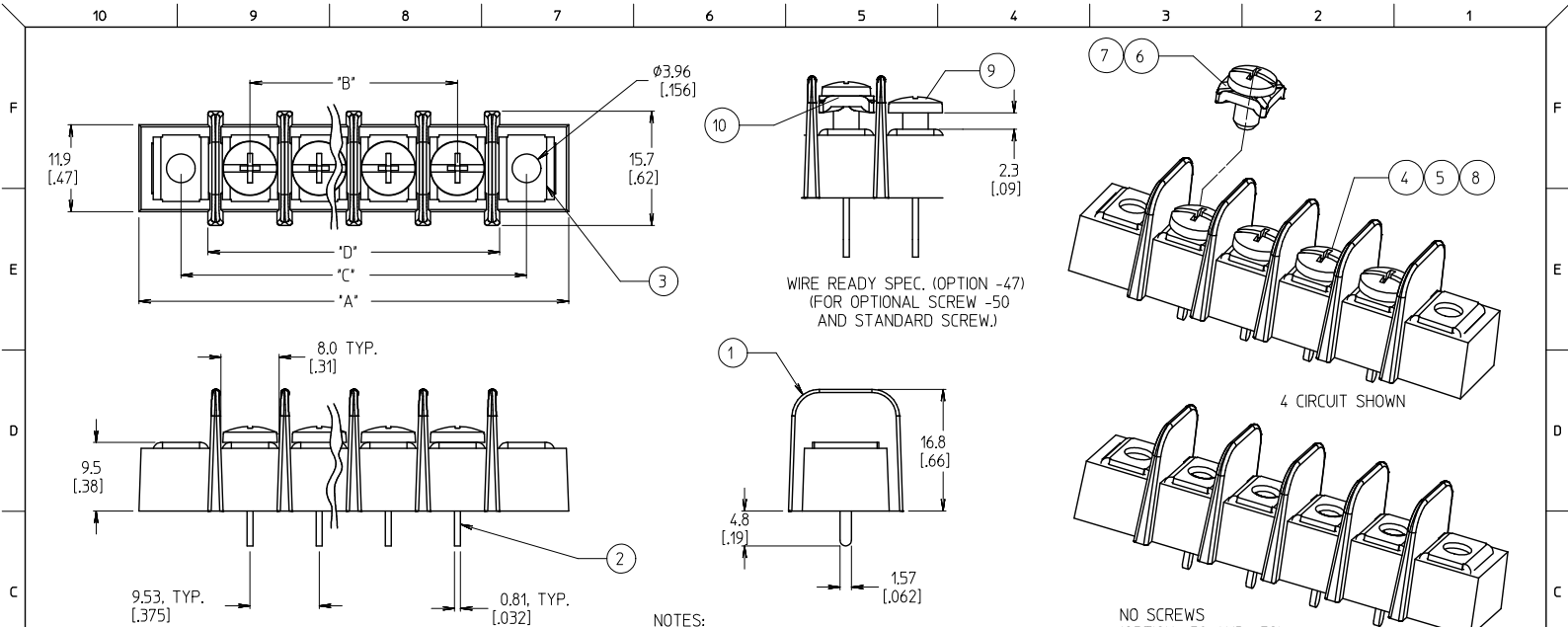
Stocking Distributor

Click to view price, real time Inventory, Delivery & Lifecycle Information:

[Molex Connector Corporation](#)
[0387206202](#)

For any questions, you can email us directly:

sales@integrated-circuit.com



NOTES:

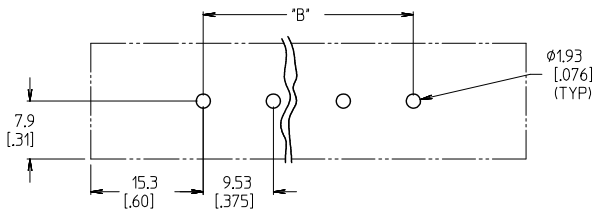
1. MATERIAL: SEE TABLE
2. FINISHES: SEE TABLE
3. INCH DIMENSIONS ARE IN BRACKETS [XXX].
4. REFER TO SD-38120-001 FOR IMPRINTING OPTIONS 10A AND 11A.
5. REFER TO SD-38120-007 FOR IMPRINTING OPTION 12A.
6. "XX" REFERS TO THE QUANTITY OF CIRCUITS.
7. ALL COMPONENTS ARE ROHS COMPLIANT.

ITEM	QTY.	DESCRIPTION	MATERIAL	FINISH
10	XX	#6-32 WRDY W/WASH SCR (-47,-50)	STEEL	ZN, CLEAR CHROMATE
9	XX	#6-32 PH/SLOT WRDY SCR (OPT -47)	STEEL	ZN, CLEAR CHROMATE
8	XX	#6-32 BHD, PH-SL SCREW (OPT -56)	STAINLESS STEEL	PASSIVATE
7	XX	#6-32 PH/SL W/WASH SCR (-49,-50)	BRASS	NICKEL
6	XX	#6-32 PH/SL W/WASH SCR (OPT -50)	STEEL	ZN, CLEAR CHROMATE
5	XX	#6-32 PH/SLOTTED SCREW (OPT -49)	BRASS	NICKEL
4	XX	#6-32 PH/SLOTTED SCREW (STD)	STEEL	ZN, CLEAR CHROMATE
3	2	MOUNTING PLATE	BRASS	NICKEL
2	XX	TERMINAL	BRASS	BRT.TIN/CU
1	1	INSULATOR, SINGLE ROW	PBT	BLACK

ADD 38720663 SEE SHT 2 EC NO: ICG2015-0783 DRAWINGSTONE 28/11/07 CHKOBB RUPERT 10/29/2014 APPR:BOODMAN 29/11/02	QUALITY SYMBOLS $\nabla=0$ $\nabla=0$	GENERAL TOLERANCES (UNLESS SPECIFIED)	DIMENSION STYLE MM/IN	SCALE 2:1	DESIGN UNITS INCH	THIRD ANGLE PROJECTION													
		<table border="1"> <thead> <tr> <th></th> <th>mm</th> <th>INCH</th> </tr> </thead> <tbody> <tr> <td>4 PLACES</td> <td>± 0.13</td> <td>± 0.005</td> </tr> <tr> <td>3 PLACES</td> <td>± 0.13</td> <td>± 0.01</td> </tr> <tr> <td>2 PLACES</td> <td>± 0.13</td> <td>± 0.01</td> </tr> <tr> <td>1 PLACE</td> <td>± 0.3</td> <td>± 0.012</td> </tr> </tbody> </table>		mm	INCH	4 PLACES	± 0.13	± 0.005	3 PLACES	± 0.13	± 0.01	2 PLACES	± 0.13	± 0.01	1 PLACE	± 0.3	± 0.012	DRAWN BY W. HOWARD	DATE 2003/10/16
	mm	INCH																	
4 PLACES	± 0.13	± 0.005																	
3 PLACES	± 0.13	± 0.01																	
2 PLACES	± 0.13	± 0.01																	
1 PLACE	± 0.3	± 0.012																	
DRAFT WHERE APPLICABLE MUST REMAIN WITHIN DIMENSIONS		APPROVED BY P. WALTZ	DATE 2003/10/16	MOLEX INCORPORATED DOCUMENT NO. SD-38720-001															
SIZE B		THIS DRAWING CONTAINS INFORMATION THAT IS PROPRIETARY TO MOLEX INCORPORATED AND SHOULD NOT BE USED WITHOUT WRITTEN PERMISSION																	

	10	9	8	7	6	5	4	3	2	1		
	NUMBER OF CIRCUITS "XX"	MATERIAL NO. (OPT 12A)	MATERIAL NO. (OPT 11A)	MATERIAL NO. (OPT 10A)	MATERIAL NO. (OPT -59)	MATERIAL NO. (OPT -58)	MATERIAL NO. (OPT -56)	MATERIAL NO. (OPT -50)	MATERIAL NO. (OPT -49,-50)	MATERIAL NO. (OPT -49)	MATERIAL NO. (OPT -47,-50)	MATERIAL NO. (STD)
F	01					38729-0659	38729-0659					38720-6201
	02			38729-1039		38729-0750	38729-0791	38720-7402	38729-1381	38720-6802		38720-6202
	03	38729-0872	38729-0025	38729-0014			38729-0117	38720-7403		38720-6803	38720-8603	38720-6203
	04			38729-0940	38729-0945		38729-0839	38720-7404	38729-1159	38720-6804		38720-6204
	05	38729-0256		38729-0346			38729-1253	38720-7405	38729-1382	38720-6805		38720-6205
	06				38729-0400	38729-0386	38729-0980	38720-7406	38729-1383	38720-6806		38720-6206
	07			38729-0423	38729-0407	38729-0435	38729-0440	38720-7407		38720-6807		38720-6207
	08	38729-0497				38729-0508	38729-0532	38720-7408		38720-6808		38720-6208
	09			38729-0548		38729-0560		38720-7409		38720-6809		38720-6209
	10			38729-1011	38729-0598	38729-0598	38729-1663	38720-7410		38720-6810		38720-6210
	11						38729-1252	38720-7411				38720-6211
	12			38729-0720			38729-0735	38720-7412		38720-6812		38720-6212
E	13					38729-0809		38720-7413				38720-6213
	14					38729-0004		38720-7414		38720-6814		38720-6214
	15											38720-6215
	16											38720-6216
	17											38720-6217
	18											38720-6218
	19											38720-6219
	20											38720-6220
	21											38720-6221
	22											38720-6222
D	23											38720-6223
	24											38720-6224
	25											38720-6225
	26											38720-6226

NUMBER OF CIRCUITS "XX"	DIM. "A"	DIM. "B"	DIM. "C"	DIM. "D"				
01	30.7	[.121]	-	19.1	[.75]	11.6	[.46]	
02	40.1	[.158]	9.53	[.375]	28.6	[1.13]	21.1	[.83]
03	49.7	[.196]	19.05	[.750]	38.1	[1.50]	30.6	[1.21]
04	59.2	[.233]	28.58	[1.125]	47.6	[1.88]	40.1	[1.58]
05	68.7	[.271]	38.10	[1.500]	57.2	[2.25]	49.7	[1.96]
06	78.2	[.308]	47.63	[1.875]	66.7	[2.63]	59.2	[2.33]
07	87.8	[.346]	57.15	[2.250]	76.2	[3.00]	68.7	[2.71]
08	97.3	[.383]	66.68	[2.625]	85.7	[3.38]	78.2	[3.08]
09	106.8	[.421]	76.20	[3.000]	95.3	[3.75]	87.8	[3.46]
10	116.3	[.458]	85.73	[3.375]	104.8	[4.13]	97.3	[3.83]
11	125.9	[.496]	95.25	[3.750]	114.3	[4.50]	106.8	[4.21]
12	135.4	[.533]	104.78	[4.125]	123.8	[4.88]	116.3	[4.58]
13	144.9	[.571]	114.30	[4.500]	133.4	[5.25]	125.9	[4.96]
14	154.4	[.608]	123.83	[4.875]	142.9	[5.63]	135.4	[5.33]
15	164.0	[.646]	133.35	[5.250]	152.4	[6.00]	144.9	[5.71]
16	173.5	[.683]	142.88	[5.625]	161.9	[6.38]	154.4	[6.08]
17	183.0	[.721]	152.40	[6.000]	171.5	[6.75]	164.0	[6.46]
18	192.5	[.758]	161.93	[6.375]	181.0	[7.13]	173.5	[7.21]
19	202.1	[.796]	171.45	[6.750]	190.5	[7.50]	182.5	[7.58]
20	211.6	[.833]	180.98	[7.125]	200.0	[7.88]	202.1	[7.96]
21	221.1	[.871]	190.50	[7.500]	209.6	[8.25]	211.6	[8.33]
22	230.6	[.908]	200.03	[7.875]	219.1	[8.63]	221.1	[8.71]
23	240.2	[.946]	209.55	[8.250]	228.6	[9.00]	230.6	[9.08]
24	249.7	[.983]	219.08	[8.625]	238.1	[9.38]	240.2	[9.46]
25	259.2	[1.021]	228.60	[9.000]	247.7	[9.75]	249.7	[9.83]
26	268.7	[1.058]	238.13	[9.375]	257.2	[10.13]	249.7	[9.83]



PTH PATTERN

ADD 387291663 (10P) EC NO: PG2015-0783 DRAWN BY: 20/11/07 CHKD BY: 10/29/2014 APPR BY: 20/11/02	QUALITY SYMBOLS ▽=0 ▽=0	GENERAL TOLERANCES (UNLESS SPECIFIED)		DIMENSION STYLE		SCALE	DESIGN UNITS	THIRD ANGLE PROJECTION		
				MM/IN		2:1	INCH			
		4 PLACES	± .---	± .---	DRAWN BY	DATE	TITLE 9.53MM [.375"] SR BTS, PC ASSY			
		3 PLACES	± .---	± .005	W. HOWARD	2003/10/16				
2 PLACES	± 0.13	± .01	CHECKED BY	DATE	Molex MOLEX INCORPORATED DOCUMENT NO. SD-38720-001 SHEET NO. 2 OF 2					
1 PLACE	± 0.3	± .---	R. KEMP	2003/10/16						
ANGULAR ± 2°			APPROVED BY	DATE						
DRAFT WHERE APPLICABLE MUST REMAIN WITHIN DIMENSIONS			P. WALTZ	2003/10/16						
			MATERIAL NO.		SEE CHART					
			THIS DRAWING CONTAINS INFORMATION THAT IS PROPRIETARY TO MOLEX INCORPORATED AND SHOULD NOT BE USED WITHOUT WRITTEN PERMISSION							