



Distributor of Molex Connector Corporation: Excellent Integrated System Limited
Datasheet of 0387600110 - Connector Barrier Block Strip 10 Circuit 0.375" (9.53mm)

Contact us: sales@integrated-circuit.com Website: www.integrated-circuit.com

Excellent Integrated System Limited

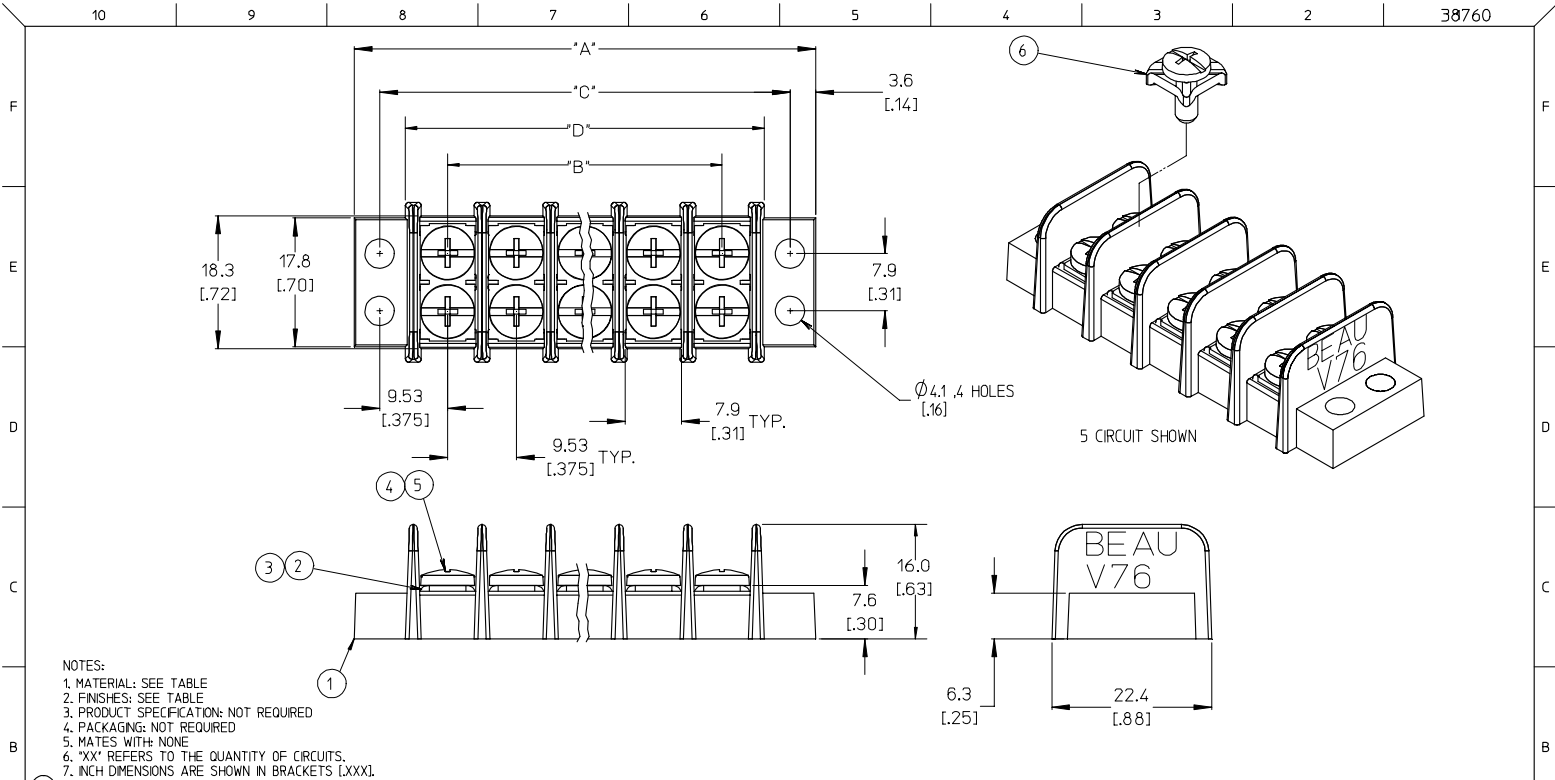
Stocking Distributor

Click to view price, real time Inventory, Delivery & Lifecycle Information:

[Molex Connector Corporation](#)
[0387600110](#)

For any questions, you can email us directly:

sales@integrated-circuit.com



- NOTES:
 1. MATERIAL: SEE TABLE
 2. FINISHES: SEE TABLE
 3. PRODUCT SPECIFICATION: NOT REQUIRED
 4. PACKAGING: NOT REQUIRED
 5. MATES WITH: NONE
 6. 'XX' REFERS TO THE QUANTITY OF CIRCUITS.
 7. INCH DIMENSIONS ARE SHOWN IN BRACKETS [XXX].
 8. ASSEMBLY IS ROHS COMPLIANT.

ITEM	QTY	DESCRIPTION	MATERIAL	FINISH	REV	DESCRIPTION	QUALITY SYMBOLS	GENERAL TOLERANCES (UNLESS SPECIFIED)		DIMENSION STYLE		SCALE	DESIGN UNITS	THIRD ANGLE PROJECTION
								mm	INCH	MM/IN	DATE			
6	XX*2	SCREW, #6-32X.250, PAN HD, PH-SL W/WSHR (-50 OPTION)	STEEL	ZINC W/CHROMATE			▽=0	4 PLACES ±---	±.0015	DRAWN BY	DATE	2:1	INCH	9.53MM [0.375] DOUBLE ROW BTS ASSEMBLY
5	XX*2	SCREW, #6-32X.250, BGHD, PHIL-SLOT (-49 OPTION)	BRASS	NICKEL			▽=0	3 PLACES ±0.038	±.005	CHECKED BY	DATE			
4	XX*2	SCREW, #6-32X.250, BGHD, PHIL-SLOT (STANDARD)	STEEL	ZINC W/CHROMATE				2 PLACES ±0.13	±.01	P. WALTZ	2002/10/14			
3	XX	TERMINAL PLATE (-49 OPTION)	BRASS	TIN				1 PLACE ±0.3	±---	APPROVED BY	DATE			
2	XX	TERMINAL PLATE	BRASS	NICKEL				ANGULAR ± 2°		L. ROTHHAUS	2002/10/14			
1	1	INSULATOR	THERMOPLASTIC	BLACK				DRAFT WHERE APPLICABLE MUST REMAIN WITHIN DIMENSIONS		SEE CHART				
ITEM QTY DESCRIPTION MATERIAL FINISH		MATERIAL FINISH		REV DESCRIPTION		QUALITY SYMBOLS		GENERAL TOLERANCES (UNLESS SPECIFIED)		DIMENSION STYLE		SCALE	DESIGN UNITS	THIRD ANGLE PROJECTION

10 9 8 7 6 5 4 3 2 38760

NO. OF CIRCUITS "XX"	DIM. 'A'		DIM. 'B'		DIM. 'C'		DIM. 'D'		ASSEMBLY MATERIAL NO. (STANDARD)	ASSEMBLY MATERIAL NO. (-49 OPTION)	ASSEMBLY MATERIAL NO. (-50 OPTION)
	mm	INCH	mm	INCH	mm	INCH	mm	INCH			
2	35.7	[1.41]	9.53	[.375]	28.6	[1.13]	21.3	[.84]	38760-0102	387600202	387600302
3	45.2	[1.78]	19.05	[.750]	38.1	[1.50]	30.8	[1.21]	38760-0103	387600203	387600303
4	54.7	[2.16]	28.58	[1.125]	47.6	[1.88]	40.3	[1.59]	38760-0104	387600204	387600304
5	64.3	[2.53]	38.10	[1.500]	57.2	[2.25]	49.8	[1.96]	38760-0105	387600205	387600305
6	73.8	[2.91]	47.63	[1.875]	66.7	[2.63]	59.4	[2.34]	38760-0106	387600206	387600306
7	83.3	[3.28]	57.15	[2.250]	76.2	[3.00]	68.9	[2.71]	38760-0107	387600207	387600307
8	92.8	[3.66]	66.68	[2.625]	85.7	[3.38]	78.4	[3.09]	38760-0108	387600208	387600308
9	102.4	[4.03]	76.20	[3.000]	95.3	[3.75]	87.9	[3.46]	38760-0109	387600209	387600309
10	111.9	[4.41]	85.73	[3.375]	104.8	[4.13]	97.5	[3.84]	38760-0110	387600210	387600310
11	121.4	[4.78]	95.25	[3.750]	114.3	[4.50]	107.0	[4.21]	38760-0111	387600211	387600311
12	130.9	[5.16]	104.78	[4.125]	123.8	[4.88]	116.5	[4.59]	38760-0112	387600212	387600312
13	140.5	[5.53]	114.30	[4.500]	133.4	[5.25]	126.0	[4.96]	38760-0113	387600213	387600313
14	150.0	[5.91]	123.83	[4.875]	142.9	[5.63]	135.6	[5.34]	38760-0114	387600214	387600314
15	159.5	[6.28]	133.35	[5.250]	152.4	[6.00]	145.1	[5.71]	38760-0115	387600215	387600315
16	169.0	[6.66]	142.88	[5.625]	161.9	[6.38]	154.6	[6.09]	38760-0116	387600216	387600316
17	178.6	[7.03]	152.40	[6.000]	171.5	[6.75]	164.1	[6.46]	38760-0117	387600217	387600317
18	188.1	[7.41]	161.93	[6.375]	181.0	[7.13]	173.7	[6.84]	38760-0118	387600218	387600318
19	197.6	[7.78]	171.45	[6.750]	190.5	[7.50]	183.2	[7.21]	38760-0119	387600219	387600319
20	207.1	[8.16]	180.98	[7.125]	200.0	[7.88]	192.7	[7.59]	38760-0120	387600220	387600320
21	216.7	[8.53]	190.50	[7.500]	209.6	[8.25]	202.2	[7.96]	38760-0121	387600221	387600321
22	226.2	[8.91]	200.03	[7.875]	219.1	[8.63]	211.8	[8.34]	38760-0122	387600222	387600322
23	235.7	[9.28]	209.55	[8.250]	228.6	[9.00]	221.3	[8.71]	38760-0123	387600223	387600323
24	245.2	[9.66]	219.08	[8.625]	238.1	[9.38]	230.8	[9.09]	38760-0124	387600224	387600324
25	254.8	[10.03]	228.60	[9.000]	247.7	[9.75]	240.3	[9.46]	38760-0125	387600225	387600325
26	264.3	[10.41]	238.13	[9.375]	257.2	[10.13]	249.9	[9.84]	38760-0126	387600226	387600326
27	273.8	[10.78]	247.65	[9.750]	266.7	[10.50]	259.4	[10.21]	38760-0127	387600227	387600327
28	283.3	[11.16]	257.18	[10.125]	276.2	[10.88]	268.9	[10.59]	38760-0128	387600228	387600328
29	292.9	[11.53]	266.70	[10.500]	285.8	[11.25]	278.4	[10.96]	38760-0129	387600229	387600329
30	302.4	[11.91]	276.23	[10.875]	295.3	[11.63]	288.0	[11.34]	38760-0130	387600230	387600330

ADD'D -49 & -50 OPTION EC NO. ETC2007-0195 CHKD: JIMACNEIL 2006/11/13 APPR: JIMACNEIL 2006/11/13	QUALITY SYMBOLS ▽=0 ▽=0	GENERAL TOLERANCES (UNLESS SPECIFIED)		DIMENSION STYLE	SCALE	DESIGN UNITS	THIRD ANGLE PROJECTION	
		mm	INCH	MM/IN	2:1	INCH		
		4 PLACES ± ---	± .0015	DRAWN BY	DATE	TITLE		
		3 PLACES ± 0.038	± .005	R. KEMP	2002/10/10	9.53MM [.375] DOUBLE ROW BTS ASSEMBLY		
2 PLACES ± 0.13	± .01	CHECKED BY	DATE	MATERIAL NO.				
1 PLACE ± 0.3	± ---	P. WALTZ	2002/10/14	SD-38760-001				
ANGULAR ± 2°		APPROVED BY	DATE	DOCUMENT NO.				
DRAFT WHERE APPLICABLE MUST REMAIN WITHIN DIMENSIONS		L. ROTHHAUS	2002/10/14	MOLEX INCORPORATED				
		SEE CHART		SHEET NO.				
		SIZE B		2 OF 2				
		THIS DRAWING CONTAINS INFORMATION THAT IS PROPRIETARY TO MOLEX INCORPORATED AND SHOULD NOT BE USED WITHOUT WRITTEN PERMISSION						

9 8 7 6 5 4 3 2 1