



**Distributor of Molex Connector Corporation: Excellent Integrated System Limited**  
Datasheet of 0387800106 - Connector Barrier Block Strip 6 Circuit 0.438" (11.12mm)

Contact us: [sales@integrated-circuit.com](mailto:sales@integrated-circuit.com) Website: [www.integrated-circuit.com](http://www.integrated-circuit.com)

---

## **Excellent Integrated System Limited**

Stocking Distributor

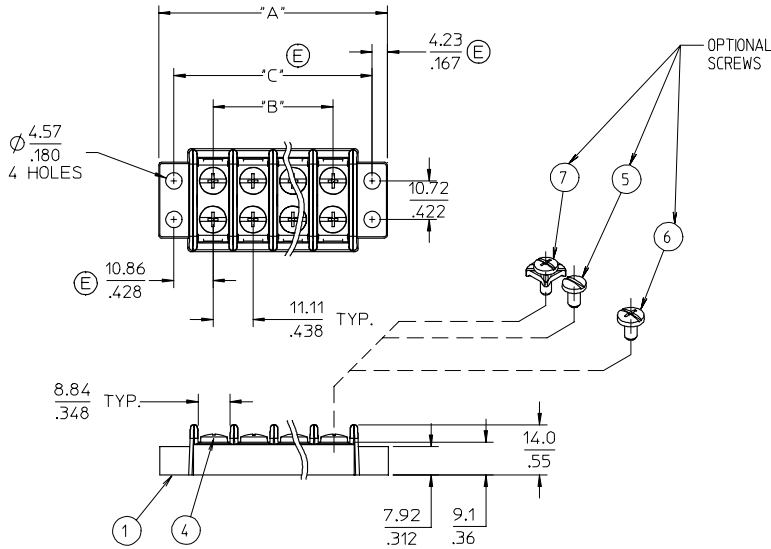
Click to view price, real time Inventory, Delivery & Lifecycle Information:

[Molex Connector Corporation](#)  
[0387800106](#)

For any questions, you can email us directly:

[sales@integrated-circuit.com](mailto:sales@integrated-circuit.com)

10 9 8 7 6 5 4 3 2 38780



- NOTES:  
1. MATERIAL: SEE TABLE  
2. FINISHES: SEE TABLE  
3. "XX" REFERS TO THE QUANTITY OF CIRCUITS.  
4. ALL COMPONENTS ARE ROHS COMPLIANT.

REF. REPLACES DRAWING SD-38789-003

7	2(XX)	SCREW W/WASHER, #6-32, PHIL-SLOT (OPT -50)	STEEL	ZN, CLEAR CHROMATE	CHANGE DIM *C* 2007/03/06 EC NO: ETC2007-0306 FIDRINKLYORK 2007/03/06 CHYKD-JIMACNEIL 2007/04/03 APPR: JIMACNEIL 2007/04/03 REV DESCRIPTION	QUALITY SYMBOLS ▽=0 ▽=0	GENERAL TOLERANCES (UNLESS SPECIFIED)		DIMENSION STYLE	SCALE	DESIGN UNITS	THIRD ANGLE PROJECTION	
6	2(XX)	SCREW, #6-32, PHIL-SLOT (OPT -49)	BRASS	NICKEL PLATED			mm	INCH	1:1	INCH	DRAWN BY W. HOWARD 08-28-03 CHECKED BY R. KEMP 09-04-03 APPROVED BY P. WALTZ 09-05-03 DATE		
5	2(XX)	SCREW, #6-32, SLOTTED (OPT -45)	STEEL	ZN, CLEAR CHROMATE			4 PLACES ± .005 ± .005	TITLE 11.11MM [.438] DR BTS, CB ASY					
4	2(XX)	SCREW, #6-32, PHIL-SLOT (STD)	STEEL	ZN, CLEAR CHROMATE			3 PLACES ± .013 ± .01	MOLEX INCORPORATED					
3	XX	TERMINAL (USE W/OPT -49 SCREW)	BRASS	TIN PLATED			2 PLACES ± 0.3 ± .005	MATERIAL NO. SEE SHEET 2 DOCUMENT NO. SD-38780-001 SHEET NO. 1 OF 2					
2	XX	TERMINAL, PLATE	BRASS	NICKEL PLATED			1 PLACE ± 0.3 ± .005	DRAFT WHERE APPLICABLE MUST REMAIN WITHIN DIMENSIONS					
1	1	INSULATOR, DOUBLE ROW	THERMOPLASTIC	BLACK			ANGULAR ± 2°	THIS DRAWING CONTAINS INFORMATION THAT IS PROPRIETARY TO MOLEX INCORPORATED AND SHOULD NOT BE USED WITHOUT WRITTEN PERMISSION					
ITEM	QTY.	DESCRIPTION	MATERIAL	FINISH									

10 9 8 7 6 5 4 3 2 38780

ⓔ

NUMBER OF CIRCUITS "XX"	DIM. "A"		DIM. "B"		DIM. "C"		MATERIAL NO. (STD)	MATERIAL NO. (-45 OPT)	MATERIAL NO. (-49 OPT)	MATERIAL NO. (-50 OPT)	MATERIAL NO. (-10A IMP OPT)
02	41.3	1.62	11.11	4.38	32.83	1.293	38780-0102		38780-0202	38780-0302	38780-0502
03	52.4	2.06	22.23	8.75	43.94	1.730	38780-0103	38789-0206	38780-0203	38780-0303	38780-0503
04	63.5	2.50	33.34	13.13	55.05	2.168	38780-0104	38789-0207	38780-0204	38780-0304	38780-0504
05	74.6	2.94	44.45	17.50	66.17	2.605	38780-0105		38780-0205	38780-0305	38780-0505
06	85.7	3.37	55.56	21.88	77.28	3.043	38780-0106	38789-0209	38780-0206	38780-0306	38780-0506
07	96.8	3.81	66.68	26.25	88.39	3.480	38780-0107		38780-0207	38780-0307	38780-0507
08	107.9	4.25	77.79	30.63	99.50	3.918	38780-0108		38780-0208	38780-0308	38780-0508
09	119.0	4.69	88.90	35.00	110.62	4.355	38780-0109		38780-0209	38780-0309	38780-0509
10	130.2	5.12	100.01	39.38	121.73	4.793	38780-0110	38789-0211	38780-0210	38780-0310	38780-0510
11	141.3	5.56	111.13	43.75	132.84	5.230	38780-0111		38780-0211	38780-0311	38780-0511
12	152.4	6.00	122.24	48.13	143.95	5.668	38780-0112		38780-0212	38780-0312	38780-0512
13	163.5	6.44	133.35	52.50	155.07	6.105	38780-0113		38780-0213	38780-0313	38780-0513
14	174.6	6.87	144.46	56.88	166.18	6.543	38780-0114		38780-0214	38780-0314	38780-0514
15	185.7	7.31	155.58	61.25	177.29	6.980	38780-0115		38780-0215	38780-0315	38780-0515
16	196.8	7.75	166.69	65.63	188.40	7.418	38780-0116	38789-0212	38780-0216	38780-0316	38780-0516
17	207.9	8.19	177.80	70.00	199.52	7.855	38780-0117		38780-0217	38780-0317	38780-0517
18	219.1	8.62	188.91	74.38	210.63	8.293	38780-0118		38780-0218	38780-0318	38780-0518
19	230.2	9.06	200.03	78.75	221.74	8.730	38780-0119		38780-0219	38780-0319	38780-0519
20	241.3	9.50	211.14	83.13	232.85	9.168	38780-0120		38780-0220	38780-0320	38780-0520
21	252.4	9.94	222.25	87.50	243.97	9.605	38780-0121		38780-0221	38780-0321	38780-0521
22	263.5	10.37	233.36	91.88	255.08	10.043	38780-0122		38780-0222	38780-0322	38780-0522
23	274.6	10.81	244.48	96.25	266.19	10.480	38780-0123		38780-0223	38780-0323	38780-0523
24	285.7	11.25	255.59	10.063	277.30	10.918	38780-0124		38780-0224	38780-0324	38780-0524
25	296.8	11.69	266.70	10.500	288.42	11.355	38780-0125		38780-0225	38780-0325	38780-0525
26	308.0	12.12	277.81	10.938	299.53	11.793	38780-0126		38780-0226	38780-0326	38780-0526
27	319.1	12.56	288.93	11.375	310.64	12.230	38780-0127		38780-0227	38780-0327	38780-0527
28	330.2	13.00	300.04	11.813	321.75	12.668	38780-0128		38780-0228	38780-0328	38780-0528
29	341.3	13.44	311.15	12.250	332.87	13.105	38780-0129		38780-0229	38780-0329	38780-0529
30	352.4	13.87	322.26	12.688	343.98	13.543	38780-0130		38780-0230	38780-0330	38780-0530

SEE SHEET 1 EC NO. EIC2007-0306 DRAWN BY: W. HOWARD CHECKED BY: R. KEMP APPR: P. WALTZ DATE: 08/28/03 DATE: 09-04-03 DATE: 09-05-03	QUALITY SYMBOLS ▽=0 ▽=0	GENERAL TOLERANCES (UNLESS SPECIFIED)		DIMENSION STYLE MM/IN		SCALE 1:1	DESIGN UNITS INCH	THIRD ANGLE PROJECTION
		4 PLACES ± --- ± --- 3 PLACES ± --- ± .005 2 PLACES ± 0.13 ± .01 1 PLACE ± 0.3 ± --- ANGULAR ± 2°	DRAWN BY W. HOWARD CHECKED BY R. KEMP APPROVED BY P. WALTZ	DATE 08-28-03 DATE 09-04-03 DATE 09-05-03	TITLE 11.1MM [.438] DR BTS, CB ASY		MATERIAL NO. SEE CHART	DOCUMENT NO. SD-38780-001
DRAFT WHERE APPLICABLE MUST REMAIN WITHIN DIMENSIONS		THIS DRAWING CONTAINS INFORMATION THAT IS PROPRIETARY TO MOLEX INCORPORATED AND SHOULD NOT BE USED WITHOUT WRITTEN PERMISSION						

9 8 7 6 5 4 3 2 1