

Excellent Integrated System Limited

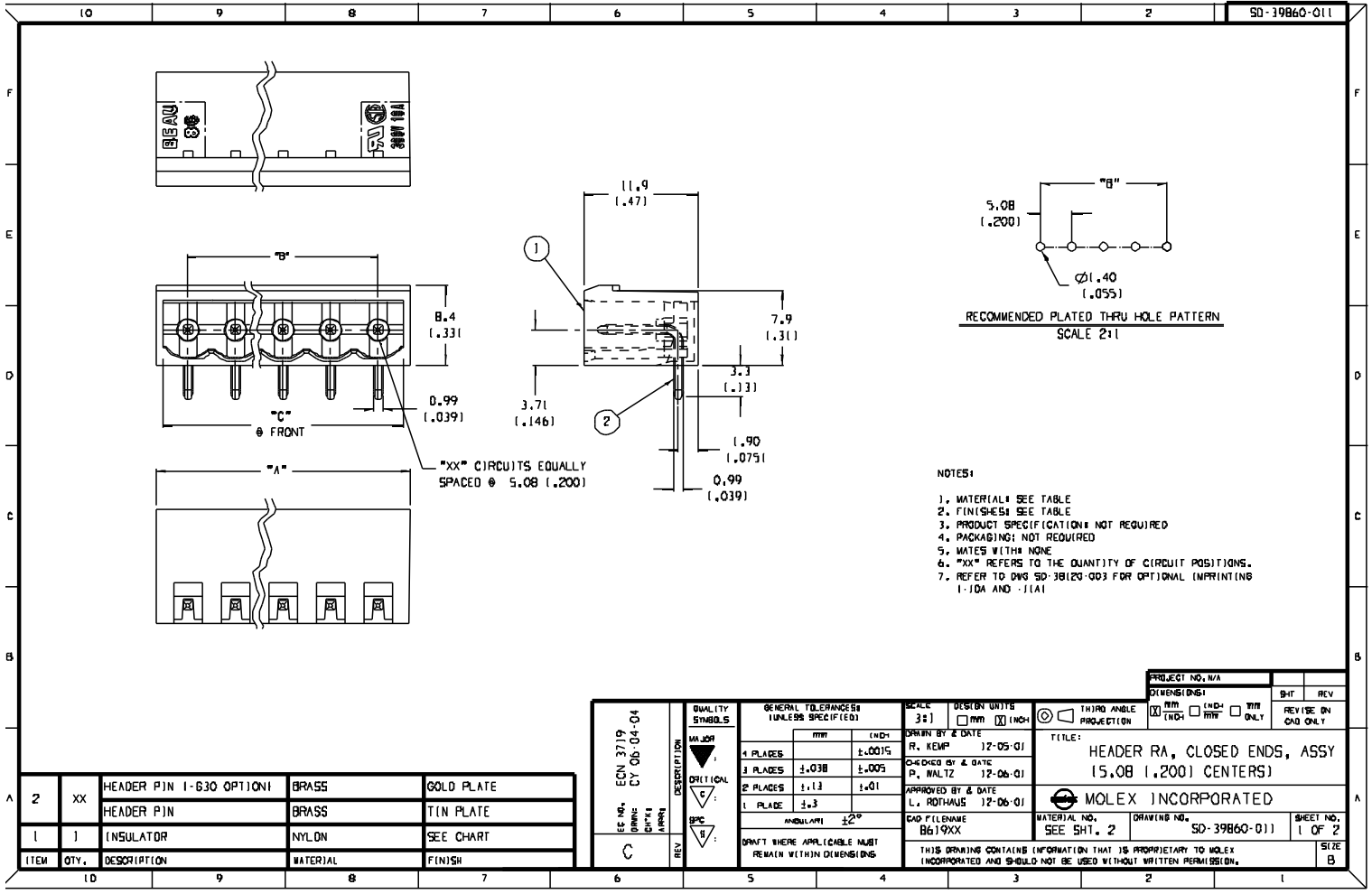
Stocking Distributor

Click to view price, real time Inventory, Delivery & Lifecycle Information:

[Molex Connector Corporation](#)
[39860-0705](#)

For any questions, you can email us directly:

sales@integrated-circuit.com



ITEM	QTY.	DESCRIPTION	MATERIAL	FINISH
2	XX	HEADER PIN I-630 OPTION1	BRASS	GOLD PLATE
		HEADER PIN	BRASS	TIN PLATE
1	1	INSULATOR	NYLON	SEE CHART

ECN 3719 DRWG: CY 05-04-01 DATE: 12-05-01 BY: R. KEMP CHECKED BY & DATE: P. WALTZ 12-06-01 APPROVED BY & DATE: L. ROTHHAUS 12-06-01 CAD FILENAME: B619XX THIS DRAWING CONTAINS INFORMATION THAT IS PROPRIETARY TO MOLEX INCORPORATED AND SHOULD NOT BE USED WITHOUT WRITTEN PERMISSION.	QUALITY SYMBOLS MAJOR OPTIONAL MINOR	GENERAL TOLERANCES (UNLESS SPECIFIED) 1 PLACES ±.038 ±.005 2 PLACES ±.12 ±.01 3 PLACES ±.3 ±.01 ANGULARITY ±2°	SCALE 3:1 DESIGN UNIT: <input type="checkbox"/> MM <input checked="" type="checkbox"/> INCH DRAWN BY & DATE: R. KEMP 12-05-01 CHECKED BY & DATE: P. WALTZ 12-06-01 APPROVED BY & DATE: L. ROTHHAUS 12-06-01 CAD FILENAME: B619XX THIS DRAWING CONTAINS INFORMATION THAT IS PROPRIETARY TO MOLEX INCORPORATED AND SHOULD NOT BE USED WITHOUT WRITTEN PERMISSION.	THIRD ANGLE PROJECTION DIMENSIONS: <input checked="" type="checkbox"/> INCH <input type="checkbox"/> MM <input type="checkbox"/> INCH ONLY TITLE: HEADER RA, CLOSED ENDS, ASSY (5.08 1.200) CENTERS MOLEX INCORPORATED MATERIAL NO. SEE SH. 2 DRAWING NO. 50-39860-011 SHEET NO. 1 OF 2 SIZE B
	PROJECT NO. N/A SHEET REV REVISE ON CAD ONLY			

SD-39860-011

ND. OF CIRC. "XX"	DIM. "A" ±.015	DIM. "B"	DIM. "C" ±.005 ±.012	BLACK (ST0.1) MATERIAL NO.	BLACK MATERIAL NO. (G30 OPT)	BLACK MATERIAL NO. (1-BA OPT)	GREEN MATERIAL NO.	ORANGE MATERIAL NO.
02	11.43 (1.450)	5.08 (1.200)	10.46 (1.412)	39860-0702	39861-0702	39862-0702	39860-3702	
03	16.51 (1.650)	10.16 (1.400)	15.54 (1.612)	39860-0703	39861-0703	39862-0703	39860-3703	39869-0023
04	21.59 (1.850)	15.24 (1.600)	20.62 (1.812)	39860-0704	39861-0704	39862-0704	39860-3704	
05	26.67 (1.050)	20.32 (1.800)	25.70 (1.012)	39860-0705	39861-0705	39862-0705	39860-3705	
06	31.75 (1.250)	25.40 (1.000)	30.78 (1.212)	39860-0706	39861-0706	39862-0706	39860-3706	
07	37.44 (1.474)	30.48 (1.200)	35.86 (1.412)	39860-0707	39861-0707	39862-0707	39860-3707	39869-0042
08	42.52 (1.674)	35.36 (1.400)	40.94 (1.612)	39860-0708	39861-0708	39862-0708	39860-3708	
09	47.60 (1.874)	40.64 (1.600)	46.02 (1.812)	39860-0709	39861-0709	39862-0709	39860-3709	
10	52.68 (2.074)	45.72 (1.800)	51.10 (2.012)	39860-0710	39861-0710	39862-0710	39860-3710	
11	57.76 (2.274)	50.80 (2.000)	56.18 (2.212)	39860-0711	39861-0711	39862-0711	39860-3711	
12	62.84 (2.474)	55.88 (2.200)	61.26 (2.412)	39860-0712	39861-0712	39862-0712	39860-3712	39869-0039
13	67.92 (2.674)	60.96 (2.400)	66.34 (2.612)	39860-0713	39861-0713	39862-0713	39860-3713	
14	73.00 (2.874)	66.04 (2.600)	71.42 (2.812)	39860-0714	39861-0714	39862-0714	39860-3714	39869-0064
15	78.08 (3.074)	71.12 (2.800)	76.50 (3.012)	39860-0715	39861-0715	39862-0715	39860-3715	
16	83.16 (3.274)	76.20 (3.000)	81.58 (3.212)	39860-0716	39861-0716	39862-0716	39860-3716	
17	88.24 (3.474)	81.28 (3.200)	86.66 (3.412)	39860-0717	39861-0717	39862-0717	39860-3717	
18	93.32 (3.674)	86.36 (3.400)	91.74 (3.612)	39860-0718	39861-0718	39862-0718	39860-3718	
19	98.40 (3.874)	91.44 (3.600)	96.82 (3.812)	39860-0719	39861-0719	39862-0719	39860-3719	
20	103.48 (4.074)	96.52 (3.800)	101.90 (4.012)	39860-0720	39861-0720	39862-0720	39860-3720	
21	108.56 (4.274)	101.60 (4.000)	106.98 (4.212)	39860-0721	39861-0721	39862-0721	39860-3721	39869-0068
22	113.64 (4.474)	106.68 (4.200)	112.06 (4.412)	39860-0722	39861-0722	39862-0722	39860-3722	
23	118.72 (4.674)	111.76 (4.400)	117.14 (4.612)	39860-0723	39861-0723	39862-0723	39860-3723	
24	123.80 (4.874)	116.84 (4.600)	122.22 (4.812)	39860-0724	39861-0724	39862-0724	39860-3724	

SEE SHEET 1 SEE CHART SEE CHART SEE CHART	QUALITY SYMBOLS MAJOR MINOR SPEC	GENERAL TOLERANCES UNLESS SPECIFIED 1 PLACES ±.030 ±.005 2 PLACES ±.13 ±.01 3 PLACES ±.3 ±.01 4 PLACES ±.0015 5 PLACES ±.0005 6 PLACES ±.00025 7 PLACES ±.00015 8 PLACES ±.00010 9 PLACES ±.000075 10 PLACES ±.00005	SCALE: 1:1 DESIGN UNITS: <input type="checkbox"/> MM <input checked="" type="checkbox"/> INCH	DRAWN BY & DATE R. KEMP 12-05-01 CHECKED BY & DATE P. MALIZ 12-06-01 APPROVED BY & DATE L. ROTHHAUS 12-06-01 CAD FILENAME B619XX	PROJECT NO.: DIMENSIONS: <input checked="" type="checkbox"/> 3RD ANGLE PROJECTION <input type="checkbox"/> 1ST ANGLE PROJECTION <input type="checkbox"/> 2ND ANGLE PROJECTION <input type="checkbox"/> 4TH ANGLE PROJECTION TITLE: HEADER RA, CLOSED ENDS, ASSY (5.08 (1.200) CENTERS) MOLEX INCORPORATED MATERIAL NO. SEE CHART DRAWING NO. SD-39860-011 SHEET NO. 2 OF 2 SIZE B
		THIS DRAWING CONTAINS INFORMATION THAT IS PROPRIETARY TO MOLEX INCORPORATED AND SHOULD NOT BE USED WITHOUT WRITTEN PERMISSION.			