



## **Excellent Integrated System Limited**

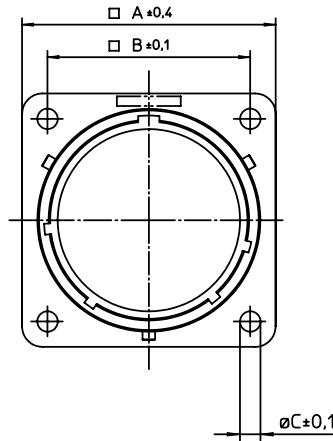
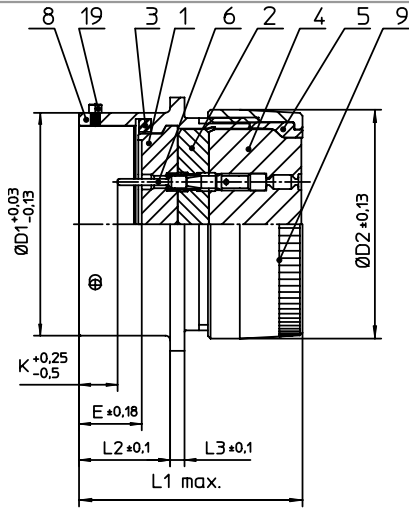
Stocking Distributor

Click to view price, real time Inventory, Delivery & Lifecycle Information:

[ITT Cannon, LLC](#)  
[KPSE00E12-10P](#)

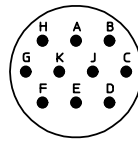
For any questions, you can email us directly:

[sales@integrated-circuit.com](mailto:sales@integrated-circuit.com)




NO.	MASSE / DIMENSION
A	26.15
B	20.6
C	3.2
D1	19.05
D2	20.24
E	8.25
K	2.16
L1	34
L2	11.6
L3	1.9

NO.	BESCHREIBUNG / DESCRIPTION
1	ISOLIERKÖRPER STIFT / INSULATOR PIN
2	ISOLIERKÖRPER MITTE / WAVER
3	DICHTRING / GASKET
4	DICHTKÖRPER / GROMMET
5	ENDRING / ENDRING
6	KONTAKT STIFT / CONTACT PIN
8	GEHÄUSE / RECEPTACLE
9	ENDGEHÄUSE / ENDBELL
19	BAYONETTSTIFT / BAYONET PIN



Note: Due to an automatic nomenclature system, numbers generated may not be sequential.  
Specification and Dimensions subject to change  
Drawings illustrate normal insulator positioning

Material Specification:	
Shell Material:	Aluminium alloy
Shell Plating:	Olive drab chromate over cadmium plating
Insulator Material:	Polychloroprene
Contact Material:	Copper alloy, gold plated
Contact Plating:	Copper alloy, gold plated

all dimensions are in mm Dimensions without tolerance indications are general tolerances in acc. with DIN7168m		drawing for CUSTOMER
 <b>ITT</b> <i>Engineered for life</i> <small>ITT CANNON GmbH D-71284 Weinstadt, Germany</small>	description    KPSE00E1210P Wall mounting receptacle Grommet seal Crimp Contacts / Pin / Layout: 12-10	
	© All rights reserved. Reproduction or issue to third in any form whatever is only permitted with written authorization of ITT Cannon	page    1/1 revision    1012.5, Jul 16