



Distributor of ITT Cannon, LLC: Excellent Integrated System Limited

Datasheet of KPSE01E20-16P - CONN RCPT 16POS CBL MNT PIN

Contact us: sales@integrated-circuit.com Website: www.integrated-circuit.com

Excellent Integrated System Limited

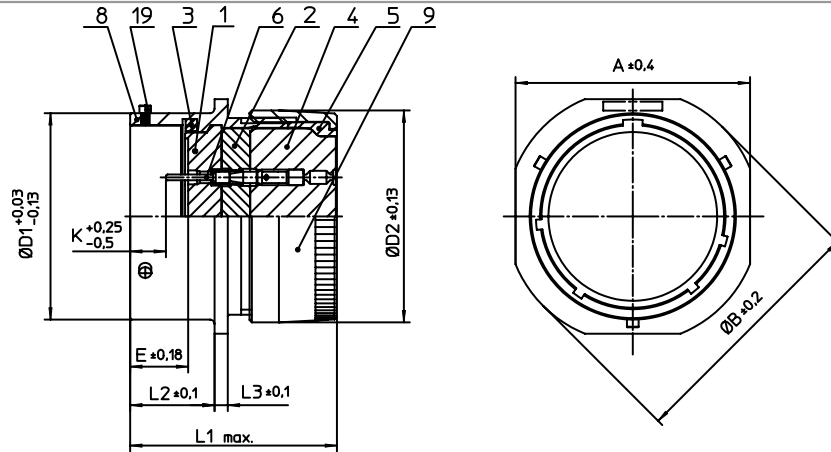
Stocking Distributor

Click to view price, real time Inventory, Delivery & Lifecycle Information:

[ITT Cannon, LLC](#)
[KPSE01E20-16P](#)

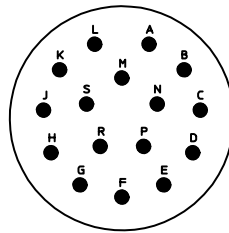
For any questions, you can email us directly:

sales@integrated-circuit.com



| NO. | MASSE / DIMENSION |
|-----|-------------------|
| A | 36.5 |
| B | 39.6 |
| D1 | 31.75 |
| D2 | 32.63 |
| E | 9.82 |
| K | 3.73 |
| L1 | 36 |
| L2 | 14.2 |
| L3 | 2.2 |

| NO. | BESCHREIBUNG / DESCRIPTION |
|-----|-------------------------------------|
| 1 | ISOLIERKÖRPER STIFT / INSULATOR PIN |
| 2 | ISOLIERKÖRPER MITTE / WAVER |
| 3 | DICHTRING / GASKET |
| 4 | DICHTKÖRPER / GROMMET |
| 5 | ENDRING / ENDRING |
| 6 | KONTAKT STIFT / CONTACT PIN |
| 8 | GEHÄUSE / RECEPTACLE |
| 9 | ENDGEHÄUSE / ENDBELL |
| 19 | BAYONETTSTIFT / BAYONET PIN |



Note: Due to an automatic nomenclature system, numbers generated may not be sequential.

Specification and Dimensions subject to change
Drawings illustrate normal insulator positioning

Material Specification:

| | |
|---------------------|--|
| Shell Material: | Aluminium alloy |
| Shell Plating: | Olive drab chromate over cadmium plating |
| Insulator Material: | Polychloroprene |
| Contact Material: | Copper alloy, gold plated |
| Contact Plating: | Copper alloy, gold plated |

all dimensions are in mm

Dimensions without tolerance indications are general tolerances in acc. with DIN7168m

drawing for
CUSTOMER



description
KPSE01E2016P
Cable connecting plug
Grommet seal
Crimp Contacts / Pin / Layout: 20-16

© All rights reserved. Reproduction or issue to third in any form
whenever is only permitted with written authorization of ITT Cannon



page 1/1
revision 1012 5. Jul 16