



Excellent Integrated System Limited

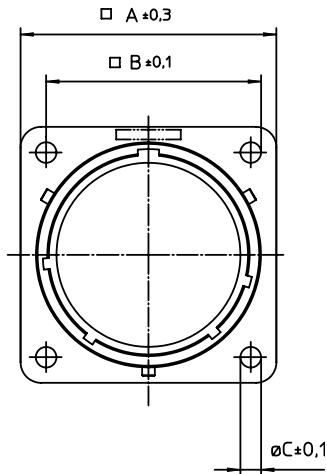
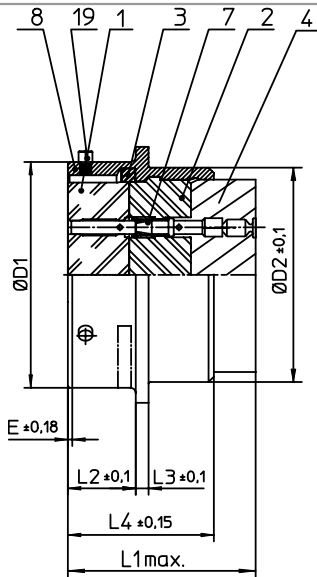
Stocking Distributor

Click to view price, real time Inventory, Delivery & Lifecycle Information:

[ITT Cannon, LLC](#)
[KPSE02E14-12SX](#)

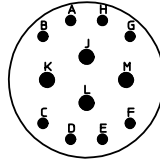
For any questions, you can email us directly:

sales@integrated-circuit.com




| NO. | MASSE / DIMENSION |
|-----|-------------------|
| A | 28.5 |
| B | 23 |
| C | 3.2 |
| D1 | 22.23 |
| D2 | 20.5 |
| E | 0.46 |
| K | 3.89 |
| L1 | 34 |
| L2 | 11.6 |
| L3 | 1.9 |
| L4 | 21.1 |

| NO. | BESCHREIBUNG / DESCRIPTION |
|-----|-----------------------------------------|
| 1 | ISOLIERKÖRPER BUCHSE / INSULATOR SOCKET |
| 2 | ISOLIERKÖRPER MITTE / WAVER |
| 3 | DICHTRING / GASKET |
| 4 | DICHTKÖRPER / GROMMET |
| 7 | KONTAKT BUCHSE / CONTACT SOCKET |
| 8 | GEHÄUSE / RECEPTACLE |
| 19 | BAYONETTSTIFT / BAYONET PIN |



Note: Due to an automatic nomenclature system, numbers generated may not be sequential.
Specification and Dimensions subject to change
Drawings illustrate normal insulator positioning

| | |
|-------------------------|------------------------------------------|
| Material Specification: | |
| Shell Material: | Aluminium alloy |
| Shell Plating: | Olive drab chromate over cadmium plating |
| Insulator Material: | Polychloroprene |
| Contact Material: | Copper alloy, gold plated |
| Contact Plating: | Copper alloy, gold plated |

| | |
|---------------------------------------------------------------------------------------------------------------------------------------------------------------------------------------------------|--------------------------------------------------------------------------------------------------------|
| all dimensions are in mm Dimensions without tolerance indications are general tolerances in acc. with DIN7168m | drawing for CUSTOMER |
|  ITT <i>Engineered for life</i> <small>ITT CANNON GmbH D-71336 Weinstadt/Germany</small> | description KPSE02E1412SX Box mounting receptacle Crimp Contacts / Socket / Layout: 14-12 |
| © All rights reserved. Reproduction or issue to third in any form whatever is only permitted with written authorization of ITT Cannon | page 1/1 revision 1012.5. Jul 16 |