

Excellent Integrated System Limited

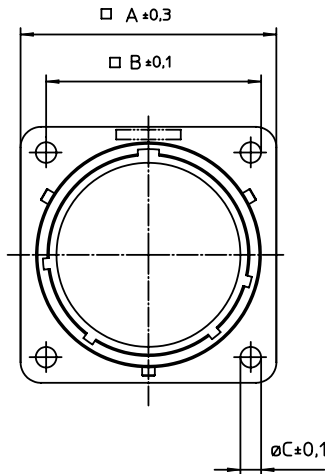
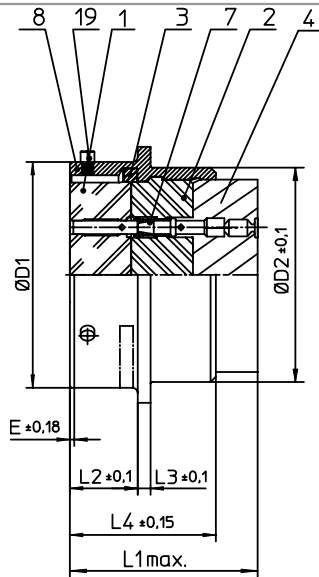
Stocking Distributor

Click to view price, real time Inventory, Delivery & Lifecycle Information:

[ITT Cannon, LLC](#)
[KPSE02E18-32SX](#)

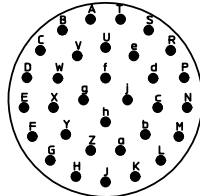
For any questions, you can email us directly:

sales@integrated-circuit.com




NO.	MASSE / DIMENSION
A	33.3
B	27
C	3.2
D1	28.58
D2	26.9
E	0.46
K	3.89
L1	34
L2	11.6
L3	1.9
L4	21.1

NO.	BESCHREIBUNG / DESCRIPTION
1	ISOLIERKÖRPER BUCHSE / INSULATOR SOCKET
2	ISOLIERKÖRPER MITTE / WAVER
3	DICHTRING / GASKET
4	DICHTKÖRPER / GROMMET
7	KONTAKT BUCHSE / CONTACT SOCKET
8	GEHÄUSE / RECEPTACLE
19	BAYONETTSTIFT / BAYONET PIN



Note: Due to an automatic nomenclature system, numbers generated may not be sequential.
Specification and Dimensions subject to change
Drawings illustrate normal insulator positioning

Material Specification: _____
Shell Material: Aluminium alloy
Shell Plating: Olive drab chromate over cadmium plating
Insulator Material: Polychloroprene
Contact Material: Copper alloy, gold plated
Contact Plating: Copper alloy, gold plated

all dimensions are in mm Dimensions without tolerance indications are general tolerances in acc. with DIN7168m	drawing for CUSTOMER
 ITT <i>Engineered for life</i> <small>ITT CANNON GmbH D-71336 Weinstadt/Germany</small>	description KPSE02E1832SX Box mounting receptacle Crimp Contacts / Socket / Layout: 18-32
© All rights reserved. Reproduction or issue to third in any form whatever is only permitted with written authorization of ITT Cannon	page revision 1/1 1012.5. Jul 16