



Excellent Integrated System Limited

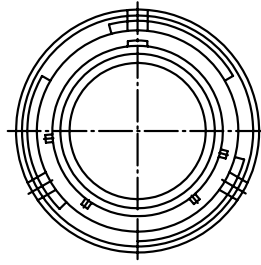
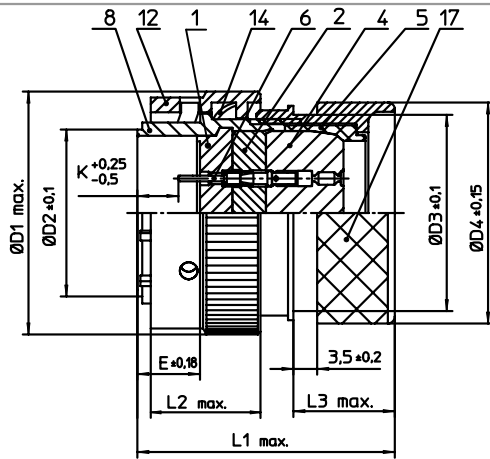
Stocking Distributor

Click to view price, real time Inventory, Delivery & Lifecycle Information:

[ITT Cannon, LLC](#)
[KPSE6E20-16PDN](#)

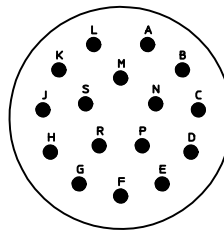
For any questions, you can email us directly:

sales@integrated-circuit.com




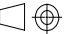
NO.	MASSE / DIMENSION
D1	39
D2	27.1
D3	32.3
D4	36
E	8.02
K	3.73
L1	41
L2	15.9
L3	15.8

NO.	BESCHREIBUNG / DESCRIPTION
1	ISOLIERKÖRPER STIFT / INSULATOR PIN
2	ISOLIERKÖRPER MITTE / WAVER
4	DICHTKÖRPER / GROMMET
5	ENDRING / ENDRING
6	KONTAKT STIFT / CONTACT PIN
8	GEHÄUSE / RECEPTACLE
12	ÜBERWURFMUTTER / COUPLING NUT
14	WELLFEDER / WASHER
17	ADAPTER / ADAPTER



Note: Due to an automatic nomenclature system, numbers generated may not be sequential.
 Specification and Dimensions subject to change
 Drawings illustrate normal insulator positioning

Material Specification:	
Shell Material:	Aluminium alloy
Shell Plating:	Olive drab chromate over cadmium plating
Insulator Material:	Polychloroprene
Contact Material:	Copper alloy, gold plated
Contact Plating:	Copper alloy, gold plated

all dimensions are in mm Dimensions without tolerance indications are general tolerances in acc. with DIN7168m		drawing for CUSTOMER
 ITT <i>Engineered for life</i> ITT CANNON GmbH D - 71334 Weinstadt/Germany	description KPSE6E2016P-DN	
	Straight plug Shrink boot adapter Crimp Contacts / Pin / Layout: 20-16	
© All rights reserved. Reproduction or issue to third in any form whenever is only permitted with written authorization of ITT Cannon	 page 1/1	revision 1012 5. Jul 16