

Excellent Integrated System Limited

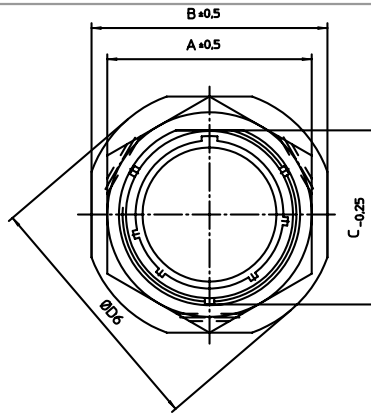
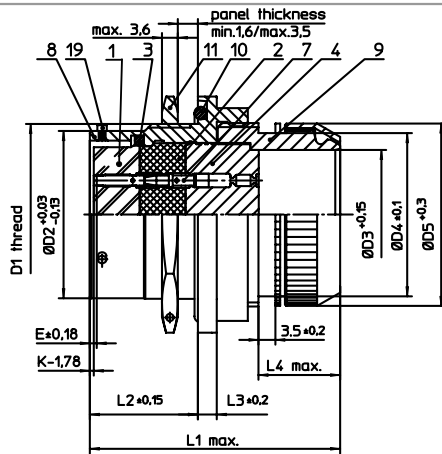
Stocking Distributor

Click to view price, real time Inventory, Delivery & Lifecycle Information:

[ITT Cannon, LLC](#)
[KPSE7E14-19SDZ](#)

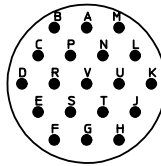
For any questions, you can email us directly:

sales@integrated-circuit.com



NO.	MASSE / DIMENSION
A	30.3
B	35
C	23.9
D1	1-20UNEF-2A
D2	22.23
D3	15.45
D4	22.1
D5	25
D6	39
E	0.46
K	3.89
L1	50
L2	17.7
L3	3.2
L4	18

NO.	BESCHREIBUNG / DESCRIPTION
1	ISOLIERKÖRPER BUCHSE / INSULATOR SOCKET
2	ISOLIERKÖRPER MITTE / WAVER
3	DICHRING / GASKET
4	DICHTKÖRPER / GROMMET
7	KONTAKT BUCHSE / CONTACT SOCKET
8	GEHÄUSE / RECEPTACLE
9	ENDGEHÄUSE / ENDBELL
10	O-RING / O-RING
11	SECHSKANTMUTTER / HEX NUT
19	BAYONETTSTIFT / BAYONET PIN



Note: Due to an automatic nomenclature system, numbers generated may not be sequential.
Specification and Dimensions subject to change
Drawings illustrate normal insulator positioning

Material Specification:	
Shell Material:	Aluminium alloy
Shell Plating:	Olive drab chromate over cadmium plating
Insulator Material:	Polychloroprene
Contact Material:	Copper alloy, gold plated
Contact Plating:	Copper alloy, gold plated

all dimensions are in mm Dimensions without tolerance indications are general tolerances in acc. with DIN7168m		drawing for CUSTOMER	
 ITT Engineered for life ITT CANNON GmbH D-71334 Wernau/Germany	description KPSE7E1419S-DZ Jam nut receptacle Endbell for shielding braids and shrink boots Crimp Contacts / Socket / Layout: 14-19		
	© All rights reserved. Reproduction or issue to third in any form whoever is only permitted with written authorization of ITT Cannon	page 1/1	revision 1012 S. Jul 16