

Excellent Integrated System Limited

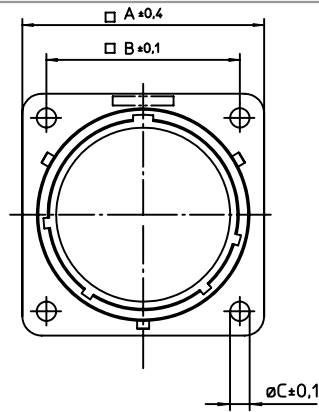
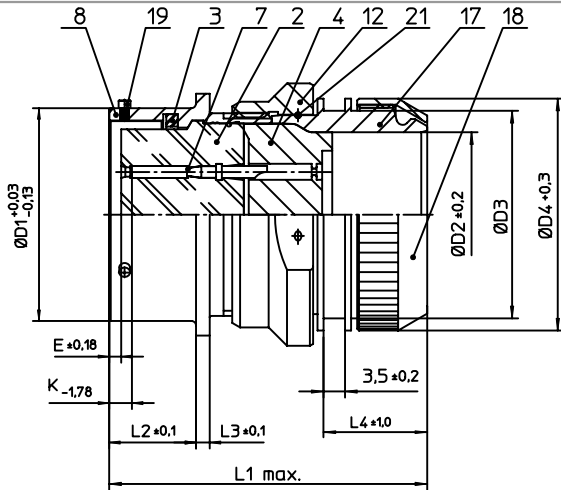
Stocking Distributor

Click to view price, real time Inventory, Delivery & Lifecycle Information:

[ITT Cannon, LLC](#)
[KPT00E12-10SDZ](#)

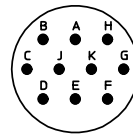
For any questions, you can email us directly:

sales@integrated-circuit.com



NO.	MASSE / DIMENSION
A	26.15
B	20.6
C	3.2
D1	19.05
D2	12.5
D3	M20X1
D4	22
E	0.46
K	3.89
L1	52
L2	11.6
L3	1.9
L4	17

NO.	BESCHREIBUNG / DESCRIPTION
2	ISOLIERKÖRPER BUCHSE / INSULATOR SOCKET
3	DICHTRING / GASKET
4	DICHTKÖRPER / GROMMET
7	KONTAKT BUCHSE / CONTACT SOCKET
8	GEHÄUSE / RECEPTACLE
12	ÜBERWURFMUTTER / COUPLING NUT
17	ADAPTER / ADAPTER
18	KLEMM-MUTTER / CLAMP NUT
19	BAYONETTSTIFT / BAYONET PIN
21	DRAHT / FIXING WIRE



Note: Due to an automatic nomenclature system, numbers generated may not be sequential.
Specification and Dimensions subject to change
Drawings illustrate normal insulator positioning

Material Specification:	
Shell Material:	Aluminium alloy
Shell Plating:	Olive drab chromate over cadmium plating
Insulator Material:	Polychloroprene
Contact Material:	Copper alloy, gold plated
Contact Plating:	Copper alloy, gold plated

all dimensions are in mm Dimensions without tolerance indications are general tolerances in acc. with DIN1768m		drawing for CUSTOMER
 ITT Engineered for life ITT CANNON GmbH D-71284 Winsted, Germany	description	KPT00E1210SDZ Wall mounting receptacle Endbell for shielding braids and shrink boots Solder Cup / Socket / Layout: 12-10
	© All rights reserved. Reproduction or issue in third in any form whatever is only permitted with written authorization of ITT Cannon	page 1/1 revision 1013 S, Jul 16