



Excellent Integrated System Limited

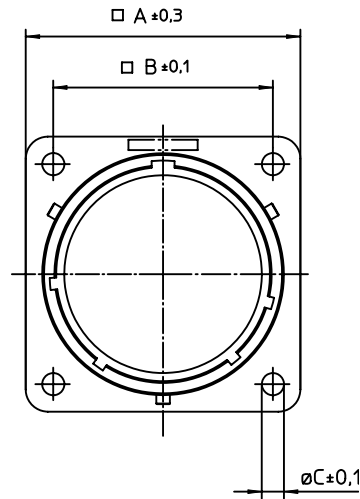
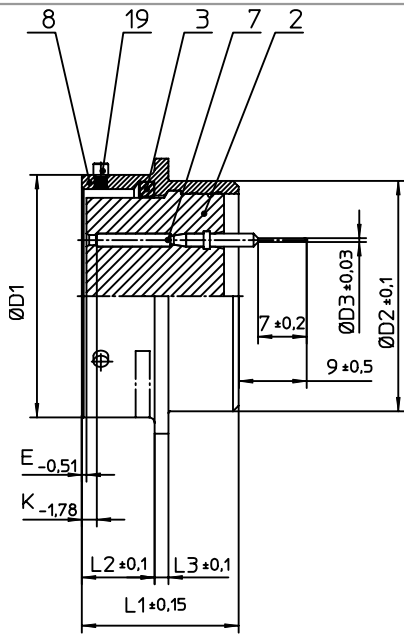
Stocking Distributor

Click to view price, real time Inventory, Delivery & Lifecycle Information:

[ITT Cannon, LLC](#)
[KPT02E8-3SEX](#)

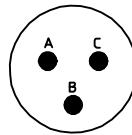
For any questions, you can email us directly:

sales@integrated-circuit.com




| NO. | MASSE / DIMENSION |
|-----|-------------------|
| A | 20.6 |
| B | 15.1 |
| C | 3.2 |
| D1 | 12 |
| D2 | 11 |
| D3 | 0.76 |
| E | 0.46 |
| K | 3.89 |
| L1 | 21.1 |
| L2 | 11.6 |
| L3 | 1.9 |

| NO. | BESCHREIBUNG / DESCRIPTION |
|-----|---|
| 2 | ISOLIERKÖRPER BUCHSE / INSULATOR SOCKET |
| 3 | DICHTRING / GASKET |
| 7 | KONTAKT BUCHSE / CONTACT SOCKET |
| 8 | GEHÄUSE / RECEPTACLE |
| 19 | BAYONETTSTIFT / BAYONET PIN |



| |
|--|
| Note: Due to an automatic nomenclature system, numbers generated may not be sequential. |
| Specification and Dimensions subject to change Drawings illustrate normal insulator positioning |
| Material Specification: |
| Shell Material: Aluminium alloy |
| Shell Plating: Olive drab chromate over cadmium plating |
| Insulator Material: Polychloroprene |
| Contact Material: Copper alloy, gold plated |
| Contact Plating: Copper alloy, gold plated |

| | | | |
|--|---|-------------------------|-------------|
| all dimensions are in mm Dimensions without tolerance indications are general tolerances in acc. with DIN7168m | | drawing for CUSTOMER | |
|  ITT <i>Engineered for life</i> <small>ITT CANNON GmbH D-71334 Wernau/Germany</small> | description KPT02E83SEX Box mounting receptacle | | page 1/2 |
| | Solder Pin 0.76 x 7 mm / Socket / Layout: 8-3 | | |
| <small>© All rights reserved. Reproduction or issue to third in any form whenever is only permitted with written authorization of ITT Cannon</small> | | | |