



Distributor of ITT Cannon, LLC: Excellent Integrated System Limited

Datasheet of KPT06E20-41PWDN - CONN PLUG 41POS INLINE PIN

Contact us: sales@integrated-circuit.com Website: www.integrated-circuit.com

Excellent Integrated System Limited

Stocking Distributor

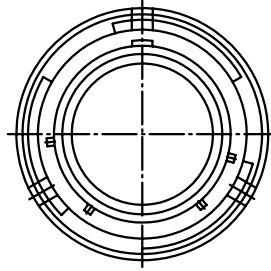
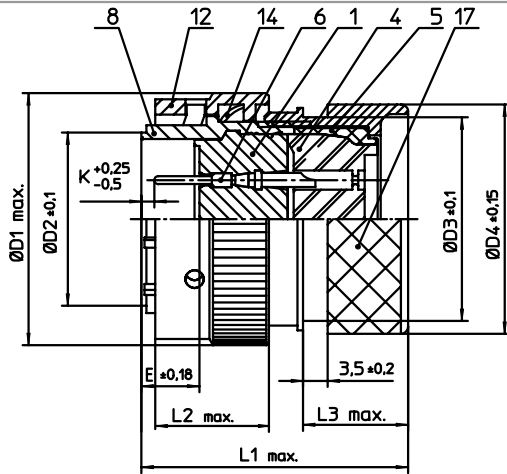
Click to view price, real time Inventory, Delivery & Lifecycle Information:

[ITT Cannon, LLC](#)

[KPT06E20-41PWDN](#)

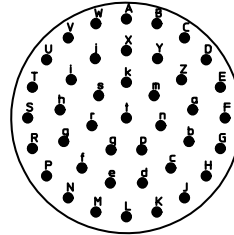
For any questions, you can email us directly:

sales@integrated-circuit.com





NO.	MASSE / DIMENSION
D1	39
D2	27.1
D3	32.3
D4	36
E	8.02
K	3.73
L1	41
L2	15.9
L3	15.8

NO.	BESCHREIBUNG / DESCRIPTION
1	ISOLIERKÖRPER STIFT / INSULATOR PIN
4	DICHTKÖRPER / GROMMET
5	ENDRING / ENDRING
6	KONTAKT STIFT / CONTACT PIN
8	GEHÄUSE / RECEPTACLE
12	ÜBERWURFMUTTER / COUPLING NUT
14	WELLFEDER / WASHER
17	ADAPTER / ADAPTER



Note: Due to an automatic nomenclature system, numbers generated may not be sequential.
Specification and Dimensions subject to change
Drawings illustrate normal insulator positioning

Material Specification:	
Shell Material:	Aluminium alloy
Shell Plating:	Olive drab chromate over cadmium plating
Insulator Material:	Polychloroprene
Contact Material:	Copper alloy, gold plated
Contact Plating:	Copper alloy, gold plated

all dimensions are in mm Dimensions without tolerance indications are general tolerances in acc. with DIN7168m		drawing for CUSTOMER
 ITT <i>Engineered for life</i> ITT CANNON GmbH D - 71384 Weinstadt/Germany	description KPT06E2041PWDN	
	Straight plug Shrink boot adapter Solder Cup / Pin / Layout: 20-41	
© All rights reserved. Reproduction or issue to third in any form whoever is only permitted with written authorization of ITT Cannon	 page 1/1	revision 1013.5. Jul 16