



Excellent Integrated System Limited

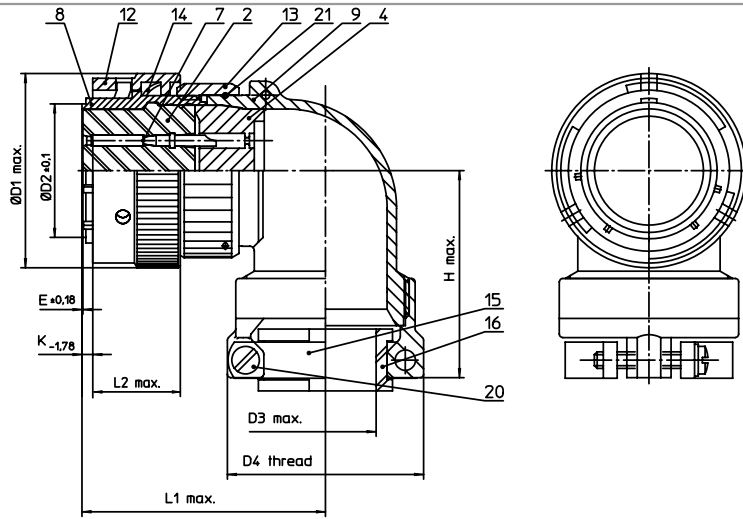
Stocking Distributor

Click to view price, real time Inventory, Delivery & Lifecycle Information:

[ITT Cannon, LLC](#)
[KPT08B18-32S](#)

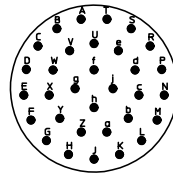
For any questions, you can email us directly:

sales@integrated-circuit.com



| NO. | MASSE / DIMENSION |
|-----|-------------------|
| D1 | 35.4 |
| D2 | 23.9 |
| D3 | 19.2 |
| E | 0.23 |
| G | 37 |
| H | 41.8 |
| K | 3.89 |
| L1 | 44.7 |
| L2 | 15.9 |

| NO. | BESCHREIBUNG / DESCRIPTION |
|-----|--|
| 2 | ISOLIERKÖRPER BUCHSE / INSULATOR SOCKET |
| 7 | KONTAKT BUCHSE / CONTACT SOCKET |
| 8 | GEHÄUSE / RECEPTACLE |
| 9 | ENDGEHÄUSE / ENDBELL |
| 12 | ÜBERWURFMUTTER / COUPLING NUT |
| 13 | ÜBERWURFMUTTER F. ENDGEH. / COUPLING NUT |
| 14 | WELLFEDER / WASHER |
| 15 | KABELTÜLLE / BUSHING |
| 16 | KABELKLEMME / CABLE CLAMP |
| 20 | ZYLINDER-SCHRAUBE / CYLINDER HEAD SCREW |
| 21 | DRAHT / FIXING WIRE |



| |
|---|
| Note: Due to an automatic nomenclature system, numbers generated may not be sequential. Specification and Dimensions subject to change Drawings illustrate normal insulator positioning |
| Material Specification: |
| Shell Material: Aluminium alloy |
| Shell Plating: Olive drab chromate over cadmium plating |
| Insulator Material: Polychloroprene |
| Contact Material: Copper alloy, gold plated |
| Contact Plating: Copper alloy, gold plated |

all dimensions are in mm
Dimensions without tolerance indications are general tolerances in acc. with DIN7168m

drawing for
CUSTOMER



description KPT08B1832S
Plug with 90° termination
General duty with strain relief
Solder Cup / Socket / Layout: 18-32

© All rights reserved. Reproduction or issue to third in any form
without is only permitted with written authorization of ITT Cannon

page 1/1
revision 1013 S, Jul 16