

Excellent Integrated System Limited

Stocking Distributor

Click to view price, real time Inventory, Delivery & Lifecycle Information:

[Bel Fuse Inc.](#)
[0826-1X1T-57-F](#)

For any questions, you can email us directly:
sales@integrated-circuit.com

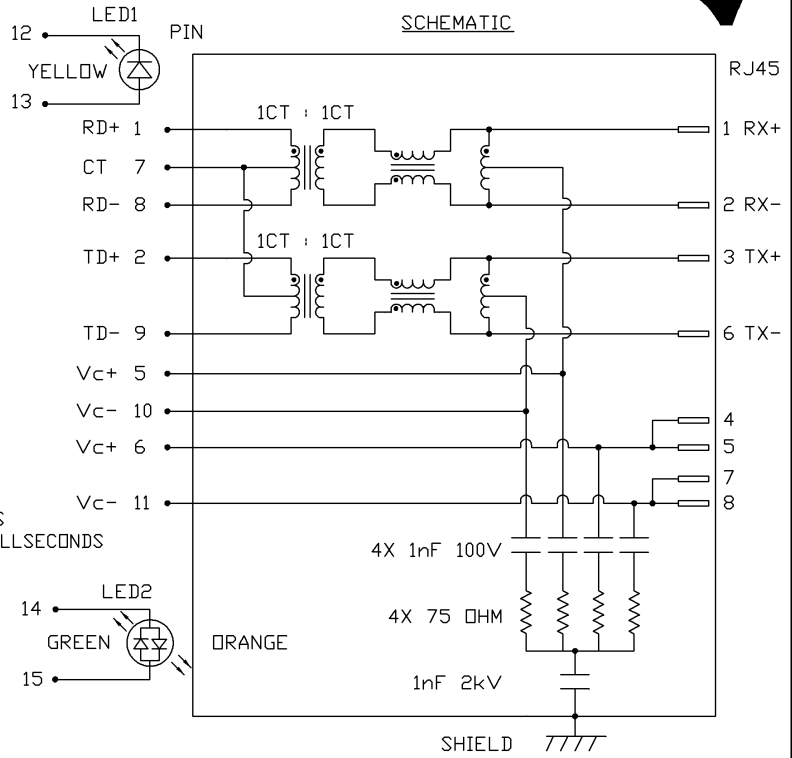


THE INFORMATION CONTAINED HEREIN IS CONSIDERED "PROPRIETARY" TO BEL FUSE INC. AND SHALL NOT BE COPIED, REPRODUCED OR DISCLOSED WITHOUT THE WRITTEN APPROVAL OF BEL FUSE INC.

LED1 POLARITY			LED2 POLARITY		
PIN 12	PIN 13	COLOR	PIN 14	PIN 15	COLOR
-	+	YELLOW	+	-	ORANGE
/	/	/	-	+	GREEN

ELECTRICAL CHARACTERISTICS @ 25°C

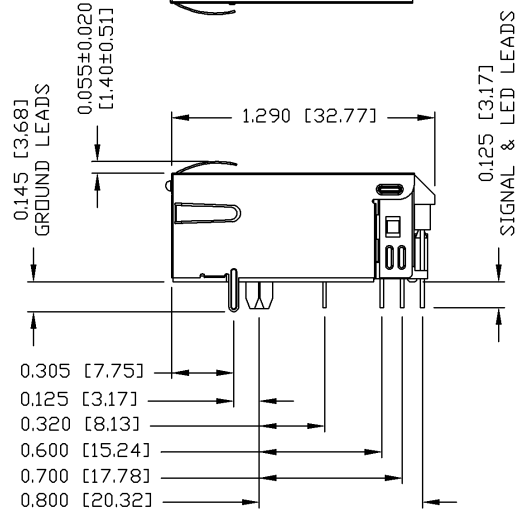
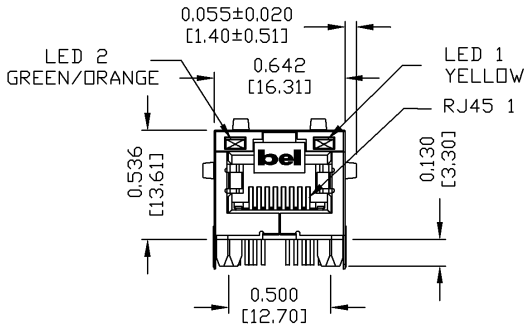
URNS RATIO	1CT : 1CT ±2%
QCL @ 100kHz/100mVRMS	8mA DC BIAS
INSERTION LOSS	350µH MIN.
100kHz TO 100MHz	-1.5 dB MAX.
RETURN LOSS (MIN.)	
2MHz-30MHz	-16 dB MIN.
60MHz-80MHz	-10 dB MIN.
LEAKAGE INDUCTANCE	
PRIMARY W/ SECONDARY SHORTED	0.25µH MAX. @ 1MHz
D.C. RESISTANCE	
(8-1)=(9-2)	1.0 OHM MAX.
(RJ1-RJ2)=(RJ3-RJ6)	1.40 OHM MAX.
INTERWINDING CAPACITANCE	
PER CHANNEL (PRI. to SEC.)	40 pF MAX.
CROSS TALK	
100kHz - 100MHz	-30 dB MIN.
BALANCED DC LINE CURRENT	350mA MAX. @ 57 VDC CONTINUOUS
	500mA MAX. @ 57 VDC FOR 200 MILLISECONDS
HIPOT (ISOLATION VOLTAGE)	2250 VDC
LED 1	
VF (FORWARD VOLTAGE)	IF=20mA YELLOW 2.1V TYP.
λD (DOMINANT WAVELENGTH)	IF=20mA YELLOW 590nm TYP.
LED 2	
VF (FORWARD VOLTAGE)	IF=20mA GREEN 2.2V TYP.
	ORANGE 2.0V TYP.
λD (DOMINANT WAVELENGTH)	IF=20mA GREEN 565nm TYP.
	ORANGE 610nm TYP.



ORIGINATED BY WANCHUNG CHOW	DATE 07-28-08	TITLE 10/100 MagJack® (VOIP, Tab Up)	PART NO. / DRAWING NO. 08261X1T57-F	STANDARD DIM. TOL. IN INCH .X .XX .XXX	[] METRIC DIM. AS REFERENCE UNIT : INCH [mm] SCALE : N/A	REV. : D SIZE : A4 PAGE : 2	COMPONENTS ON A CONNECTED PLANET
DRAWN BY WEIDE LEE	DATE 07-28-08	FILE NAME 08261X1T57-F_D.DWG					

THE INFORMATION CONTAINED HEREIN IS CONSIDERED "PROPRIETARY" TO BEL FUSE INC. AND SHALL NOT BE COPIED, REPRODUCED OR DISCLOSED WITHOUT THE WRITTEN APPROVAL OF BEL FUSE INC.

MECHANICAL SPECIFICATION



NOTES:

- PLASTIC HOUSING: THERMOPLASTIC PA
FLAMMABILITY RATING UL 94V-0
- CONTACTS: 50 MICRO-INCH HARD GOLD PLATING
- OUTPUT PINS: TIN-COATED COPPER WIRE, DIA 0.018 INCH.
- METAL SHIELD: NICKEL PLATED ON COPPER ALLOY.
(ALL GROUND LEADS ARE SOLDER DIPPED)
- ☐ MARK PART WITH MFG LOGO, MFG NAME, PART NUMBER, AND DATE CODE.

UL USUL RECOGNIZED - FILE #E196366 AND E169987.
 2. RoHS COMPLIANCE, PER EU DIRECTIVE 2002/95/EC.
 JACK CAVITY CONFORMS TO FCC RULES AND REGULATIONS.

ORIGINATED BY ZX HUANG	DATE 07-28-08	TITLE 10/100 MagJack® (VQIP, Tab Up)	PART NO. / DRAWING NO. 08261X1T57-F	STANDARD DIM. TOL. IN INCH	[] METRIC DIM. AS REFERENCE
DRAWN BY BL CHEN	DATE 07-28-08	FILE NAME 08261X1T57-F_D.DWG		.X .XX .XXX	UNIT : INCH [mm] SCALE : N/A REV. : D SIZE : A4 PAGE : 3

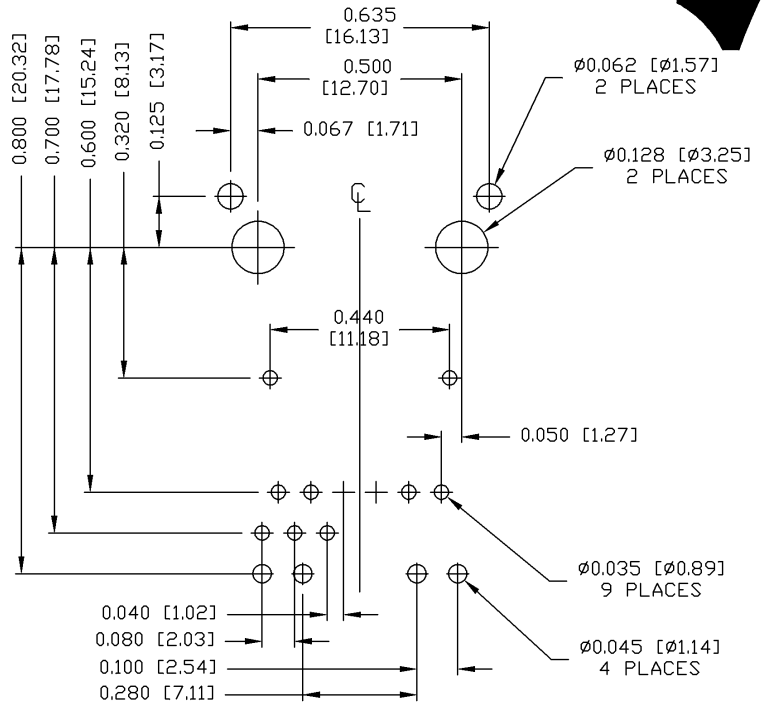
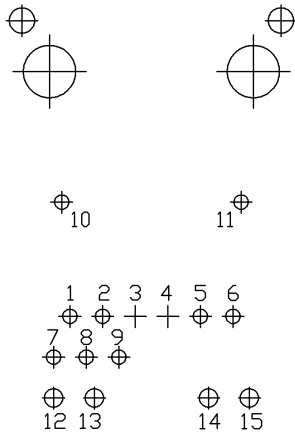


THE INFORMATION CONTAINED HEREIN IS CONSIDERED "PROPRIETARY" TO BEL FUSE INC. AND SHALL NOT BE COPIED, REPRODUCED OR DISCLOSED WITHOUT THE WRITTEN APPROVAL OF BEL FUSE INC.

RECOMMENDED PCB FOOTPRINT
 COMPONENT SIDE VIEW



PIN ASSIGNMENT - EACH PORT
 COMPONENT SIDE VIEW



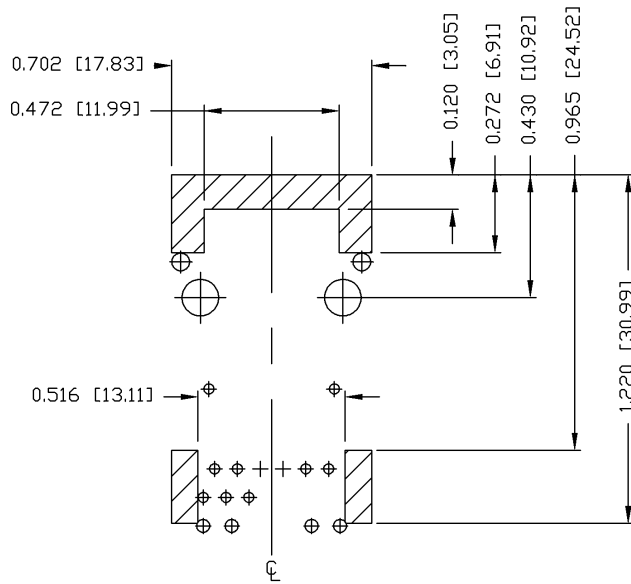
ORIGINATED BY ZX HUANG	DATE 07-28-08	TITLE 10/100 MagJack® (VQIP, Tab Up)	PART NO. / DRAWING NO. 08261X1T57-F	STANDARD DIM. TOL. IN INCH .X .XX .XXX	[] METRIC DIM. AS REFERENCE UNIT : INCH [mm] SCALE : N/A	REV. : D SIZE : A4 PAGE : 4	 COMPONENTS ON A CONNECTED PLANET
DRAWN BY BL CHEN	DATE 07-28-08		FILE NAME 08261X1T57-F_D.DWG	±0.004			

DC002(2)032305

This document is electronically generated. This is a controlled copy if used internally



THE INFORMATION CONTAINED HEREIN IS CONSIDERED "PROPRIETARY" TO BEL FUSE INC. AND SHALL NOT BE COPIED, REPRODUCED OR DISCLOSED WITHOUT THE WRITTEN APPROVAL OF BEL FUSE INC.



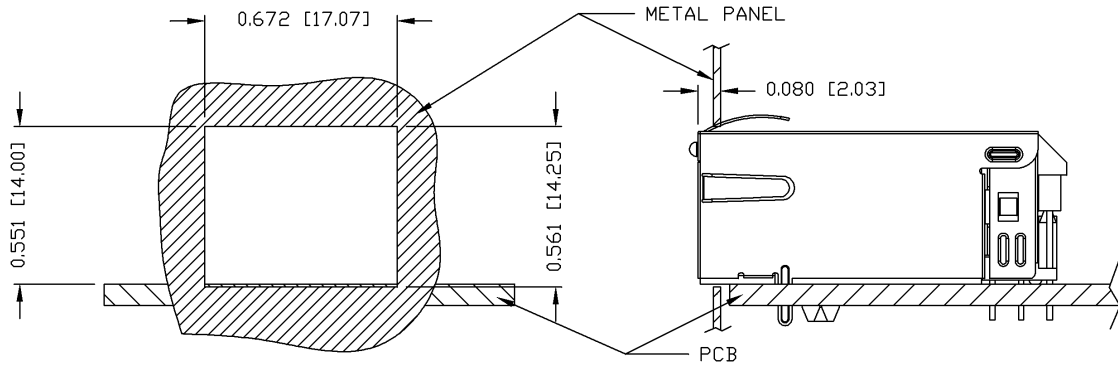
NOTES

THE SHADED AREA ON THE CUSTOMER BOARD ARE RECOMMENDED TO BE CLEAR OFF ANY VIA HOLE OR COMPONENT PAD.

ORIGINATED BY ZX HUANG	DATE 07-28-08	TITLE 10/100 MagJack® (VOIP, Tab Up) 0826-1X1T-57-F	PART NO. / DRAWING NO. 08261X1T57-F		STANDARD DIM. TOL. IN INCH	[] METRIC DIM. AS REFERENCE		 COMPONENTS ON A CONNECTED PLANET
			FILE NAME 08261X1T57-F_D.DWG	.X .XX .XXX	±0.004	UNIT : INCH [mm] SCALE : N/A	REV. : D SIZE : A4 PAGE : 5	

THE INFORMATION CONTAINED HEREIN IS CONSIDERED "PROPRIETARY" TO BEL FUSE INC. AND SHALL NOT BE COPIED, REPRODUCED OR DISCLOSED WITHOUT THE WRITTEN APPROVAL OF BEL FUSE INC.

SUGGESTED PANEL OPENING



NOTE:

THE DISTANCE OF PANEL INSIDE SURFACE RELATIVE TO FRONT SURFACE OF PART IS ONLY A SUGGESTION. IN CASE THIS DISTANCE IS DIFFERENT, THE REQUIRED PANEL OPENING DIMENSIONS CHANGE ACCORDINGLY.

PACKING INFORMATION

PACKING TRAY : 0200-9999-F6 (TOP)
 0200-9999-F7 (BOTTOM)

PACKING QUANTITY : 40 PCS FINISHED GOODS PER TRAY
 10 TRAYS (400 PCS FINISHED GOODS) PER CARTON BOX

NOTE : CARDBOARDS ARE PLACED BETWEEN LAYERS OF PACKING TRAY INSIDE CARTON BOX
 (INCLUDE THE UPPERMOST AND LOWERMOST TRAY)

ORIGINATED BY ZX HUANG	DATE 07-28-08	TITLE 10/100 MagJack® (VOIP, Tab Up)	PART NO. / DRAWING NO. 08261X1T57-F	STANDARD DIM. TOL. IN INCH .X .XX .XXX ±0.004	[] METRIC DIM. AS REFERENCE UNIT : INCH [mm] SCALE : N/A	REV. : D SIZE : A4 PAGE : 6	 COMPONENTS ON A CONNECTED PLANT
DRAWN BY BL CHEN	DATE 07-28-08	FILE NAME 08261X1T57-F_D.DWG					