



## **Excellent Integrated System Limited**

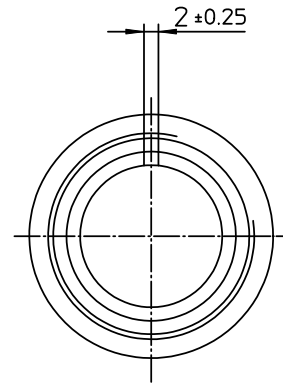
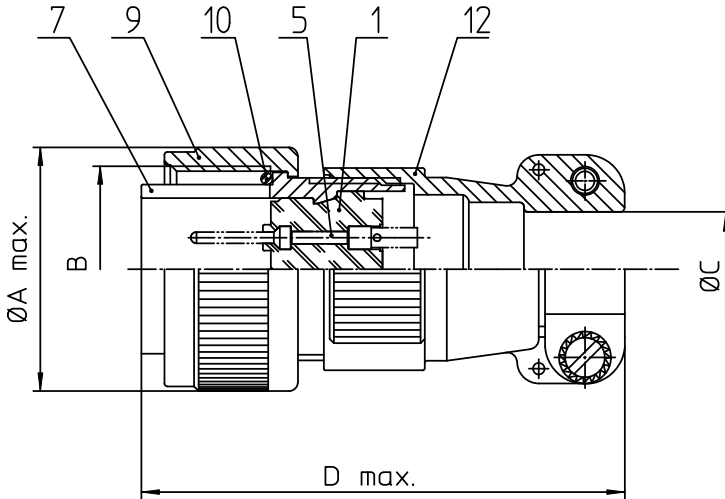
Stocking Distributor

Click to view price, real time Inventory, Delivery & Lifecycle Information:

[ITT Cannon, LLC](#)  
[CA06COME10SL-3P01](#)

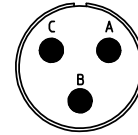
For any questions, you can email us directly:

[sales@integrated-circuit.com](mailto:sales@integrated-circuit.com)



NO.	MASSE / DIMENSION
A	24,1
B	5/8-24UNEF-2A
C	7,9
D	53

NO.	BESCHREIBUNG / DESCRIPTION
1	ISOLIERKÖRPER STIFT / INSULATOR PIN
5	KONTAKTSTIFT/ CONTACT PIN
7	ZYLINDERGHÄUSE / BARREL
9	ÜBERWURFMUTTER / COUPLING NUT
12	ENDGEHÄUSE / ENDBELL



Note: Due to an automatic nomenclature system, numbers generated may not be sequential.

Specification and Dimensions subject to change  
Drawings illustrate normal insulator positioning

**Material Specification:**

Shell Material: Aluminium alloy  
Shell Plating: Nickel plated  
Insulator Material: CR-Elastomere  
Contact Material: Copper alloy  
Contact Plating: Hard silver

all dimensions are in mm

Dimensions without tolerance indications are general tolerances in acc. with DIN7168m

drawing for  
CUSTOMER



**ITT**

Engineered for life  
ITT CANNON GmbH  
D-75394 Weinstadt, Germany

description CA06COM-E10SL-3P-01  
Plug, straight  
Endbell with clamp and bushing  
Metric Crimp / Pin / Layout: 10SL-3

© All rights reserved. Reproduction or issue to third in any form  
whatever is only permitted with written authorization of ITT Cannon

page 1/1  
revision 480.3, Jul 16