



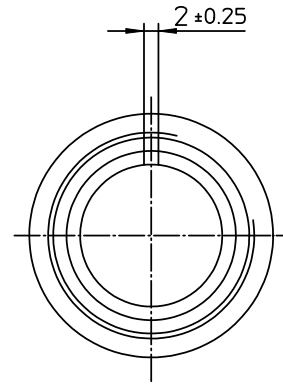
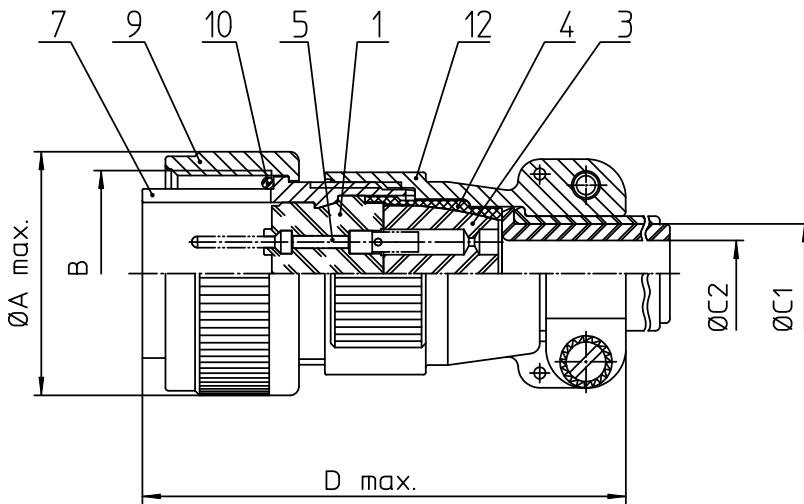
## **Excellent Integrated System Limited**

Stocking Distributor

Click to view price, real time Inventory, Delivery & Lifecycle Information:

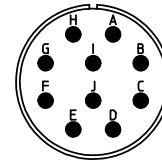
[ITT Cannon, LLC](#)  
[CA06COME18-1P01-44](#)

For any questions, you can email us directly:  
[sales@integrated-circuit.com](mailto:sales@integrated-circuit.com)



NO.	MASSE / DIMENSION
A	34,1
B1	1 1/8-18UNEF-2A
B2	14,3
C	-
D	68

NO.	BESCHREIBUNG / DESCRIPTION
1	ISOLIERKÖRPER STIFT / INSULATOR PIN
3	DICHTKÖRPER / GROMMET
4	ENDRING / ENDRING
5	KONTAKTSTIFT/ CONTACT PIN
7	ZYLINDERGHÄUSE / BARREL
9	ÜBERWURFMUTTER / COUPLING NUT
10	DICHTRING FRONT / FRONT SEALING RING
12	ENDGEHÄUSE / ENDBELL



Note: Due to an automatic nomenclature system, numbers generated may not be sequential.

Specification and Dimensions subject to change  
Drawings illustrate normal insulator positioning

**Material Specification:**

Shell Material: Aluminium alloy  
Shell Plating: Nickel plated  
Insulator Material: CR-Elastomere  
Contact Material: Copper alloy  
Contact Plating: Hard silver

**all dimensions are in mm**

Dimensions without tolerance indications are general tolerances in acc. with DIN7168m

drawing for  
**CUSTOMER**



description: CA06COM-E18-1P-01-44  
Plug, straight  
Endbell with ferrule and grommet  
Metric Crimp / Pin / Layout: 18-1

© All rights reserved. Reproduction or issue in third in any form  
whenever is only permitted with written authorization of ITT Cannon

page 1/1 revision 480.3, Jul 16