



Excellent Integrated System Limited

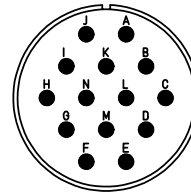
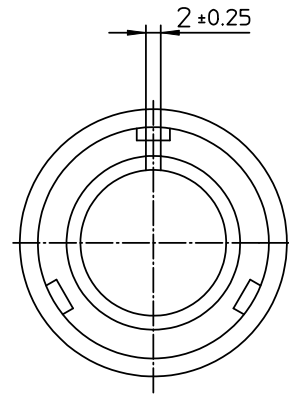
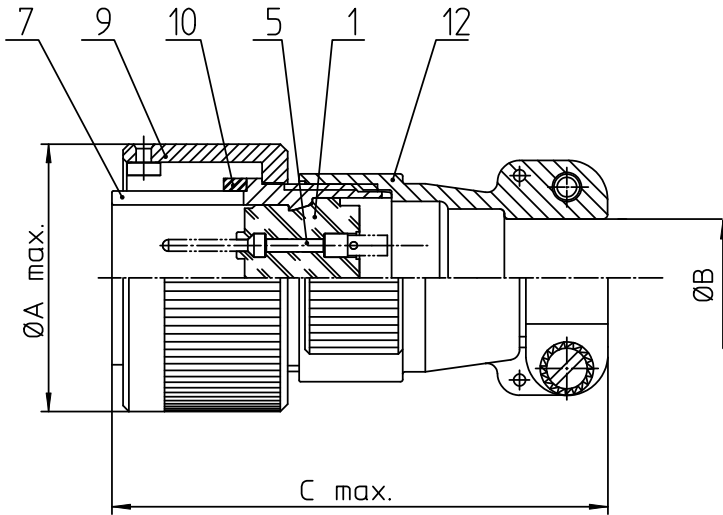
Stocking Distributor

Click to view price, real time Inventory, Delivery & Lifecycle Information:

[ITT Cannon, LLC](#)
[CA06COME20-27PWB01](#)

For any questions, you can email us directly:

sales@integrated-circuit.com





NO.	MASSE / DIMENSION
A	39,9
B	19
C	68

NO.	BESCHREIBUNG / DESCRIPTION
1	ISOLIERKÖRPER STIFT / INSULATOR PIN
5	KONTAKTSTIFT/ CONTACT PIN
7	ZYLINDERGHÄUSE / BARREL
9	ÜBERWURFMUTTER / COUPLING NUT
10	DICHTRING FRONT / FRONT SEALING RING
12	ENDGEHÄUSE / ENDBELL

Note: Due to an automatic nomenclature system, numbers generated may not be sequential.
Specification and Dimensions subject to change
Drawings illustrate normal insulator positioning

Material Specification:	
Shell Material:	Aluminium alloy
Shell Plating:	Nickel plated
Insulator Material:	CR-Elastomere
Contact Material:	Copper alloy
Contact Plating:	Hard silver

all dimensions are in mm Dimensions without tolerance indications are general tolerances in acc. with DIN7168m		drawing for CUSTOMER
 ITT Engineered for life ITT CANNON GERMANY D-71364 Weinstadt-Göppingen	description	CA06COM-E20-27PWB-01
		Plug, straight Endbell with clamp and bushing Metric Crimp / Pin / Layout: 20-27
© All rights reserved. Reproduction or issue to third in any form whatever is only permitted with written authorization of ITT Cannon	 page 1/1	revision 484.3. Jul 16