



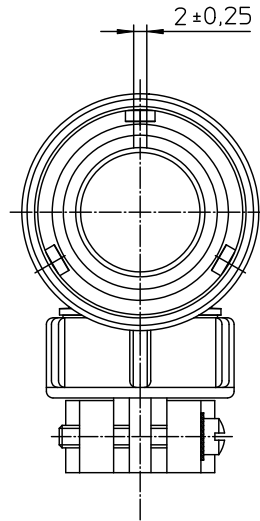
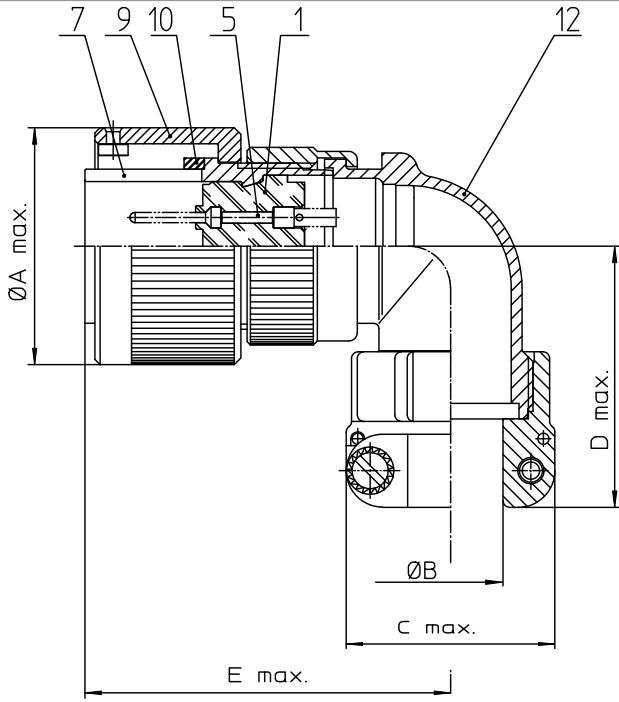
Excellent Integrated System Limited

Stocking Distributor

Click to view price, real time Inventory, Delivery & Lifecycle Information:

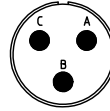
[ITT Cannon, LLC](#)
[CA08COME10SL-3PB01A176](#)

For any questions, you can email us directly:
sales@integrated-circuit.com




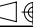
NO.	MASSE / DIMENSION
A	22,8
B	7,9
C	22,7
D	42
E	45

NO.	BESCHREIBUNG / DESCRIPTION
1	ISOLIERKÖRPER STIFT / INSULATOR PIN
5	KONTAKTSTIFT/ CONTACT PIN
7	ZYLINDERGHÄUSE / BARREL
9	ÜBERWURFMUTTER / COUPLING NUT
10	DICHTRING FRONT / FRONT SEALING RING
12	ENDGEHÄUSE / ENDBELL



Note: Due to an automatic nomenclature system, numbers generated may not be sequential.
 Specifications and Dimensions subject to change
 Drawings illustrate normal insulator positioning

Material Specification	
Shell Material:	Aluminium alloy
Shell Plating:	Nickel plated
Insulator Material:	CR-Elastomere
Contact Material:	Copper alloy
Contact Plating:	Gold 0,5 µm

all dimensions are in mm		Dimensions without tolerance indications are general tolerances in acc. with DIN7168m	drawing for
 ITT <i>Engineered for life</i> <small>111 0290201 GmbH D-71534 Weinstadt-Göppingen</small>		description	CUSTOMER
		CA08COM-E10SL-3P-B-01-A176 Plug 90° Endbell with clamp and bushing Metric Crimp / Pin / Layout: 10SL-3	
<small>© All rights reserved. Reproduction or use in any form without the prior written permission of ITT Cannon</small>			page 1/1 revision 494 3, Jul 16