



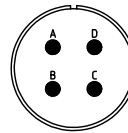
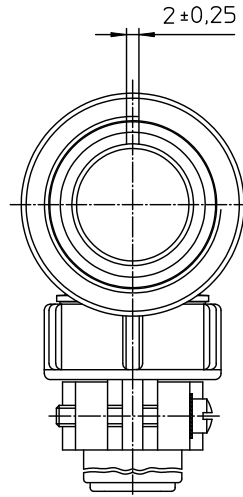
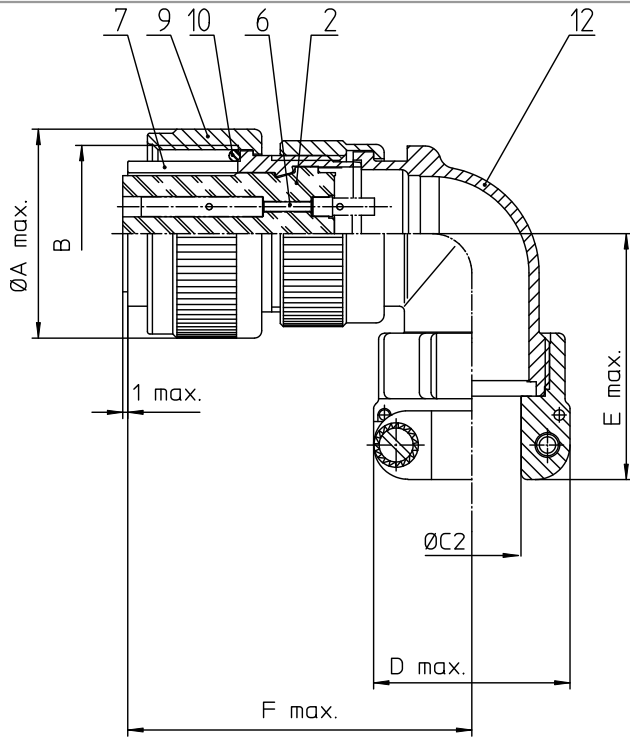
## **Excellent Integrated System Limited**

Stocking Distributor

Click to view price, real time Inventory, Delivery & Lifecycle Information:

[ITT Cannon, LLC](#)  
[CA08COME18-10S01](#)

For any questions, you can email us directly:  
[sales@integrated-circuit.com](mailto:sales@integrated-circuit.com)



| NO. | MASSE / DIMENSION |
|-----|-------------------|
| A   | 34,1              |
| B   | 1 1/8-18UNEF-2A   |
| C   | 15,8              |
| D   | 33                |
| E   | 53                |
| F   | 58                |

| NO. | BESCHREIBUNG / DESCRIPTION              |
|-----|---|
| 2   | ISOLIERKÖRPER BUCHSE / INSULATOR SOCKET |
| 6   | KONTAKTBUCHSE / CONTACT SOCKET          |
| 7   | ZYLINDERGHÄUSE / BARREL                 |
| 9   | ÜBERWURFMUTTER / COUPLING NUT           |
| 12  | ENDGEHÄUSE / ENDBELL                    |

Note: Due to an automatic nomenclature system, numbers generated may not be sequential.

Specification and Dimensions subject to change  
Drawings illustrate normal insulator positioning

Material Specification:

Shell Material: Aluminium alloy  
Shell Plating: Nickel plated  
Insulator Material: CR-Elastomere  
Contact Material: Copper alloy  
Contact Plating: Hard silver

all dimensions are in mm

Dimensions without tolerance indications are general tolerances in acc. with DIN7150m

drawing for  
CUSTOMER



description CA08COM-E18-10S-01  
Plug 90°  
Endbell with clamp and bushing  
Metric Crimp / Socket / Layout: 18-10

Engineered for life  
ITT Cannon GmbH  
D: 71304 Heilbronn, Germany

© All rights reserved. Reproduction or issue to third in any form without written authorization of ITT Cannon  
page 1/1  
revision 493.3, Jul 16