



Excellent Integrated System Limited

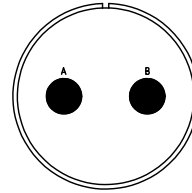
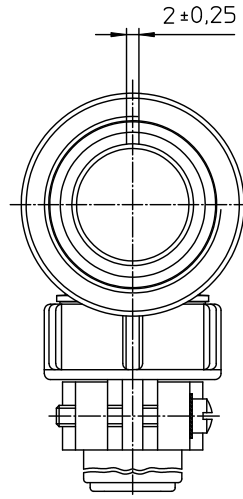
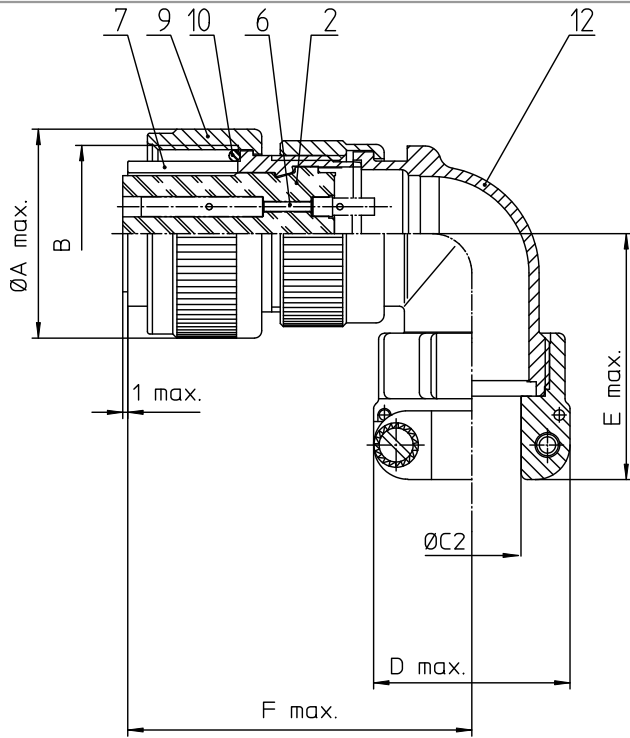
Stocking Distributor

Click to view price, real time Inventory, Delivery & Lifecycle Information:

[ITT Cannon, LLC](#)
[CA08COME24-9S](#)

For any questions, you can email us directly:

sales@integrated-circuit.com



| NO. | MASSE / DIMENSION |
|-----|-------------------|
| A | 43,8 |
| B | 1 1/2-18UNEF-2A |
| C | 23,7 |
| D | 43,3 |
| E | 58 |
| F | 66 |

| NO. | BESCHREIBUNG / DESCRIPTION |
|-----|---|
| 2 | ISOLIERKÖRPER BUCHSE / INSULATOR SOCKET |
| 6 | KONTAKTBUCHSE / CONTACT SOCKET |
| 7 | ZYLINDERGHÄUSE / BARREL |
| 9 | ÜBERWURFMUTTER / COUPLING NUT |
| 12 | ENDGEHÄUSE / ENDBELL |

Note: Due to an automatic nomenclature system, numbers generated may not be sequential.

Specification and Dimensions subject to change
Drawings illustrate normal insulator positioning

Material Specification:

Shell Material: Aluminium alloy
Shell Plating: Nickel plated
Insulator Material: CR-Elastomere
Contact Material: Copper alloy
Contact Plating: Hard silver

all dimensions are in mm

Dimensions without tolerance indications are general tolerances in acc. with DIN7150m



description CA08COM-E24-9S
Plug 90°
Endbell with clamp and bushing
Solder Cup / Socket / Layout: 24-9

drawing for CUSTOMER

© All rights reserved. Reproduction or issue to third in any form without written authorization of ITT Cannon. page 1/1 revision 493.3, Jul 16